

A compact and customizable catenary lighting system, the Zephyr Series provides a unique LED lighting solution for a variety of potential applications and environments. Perfect for accenting landscapes, gardens, adding a contemporary style over pedestrian walkways & plazas. Robust aircraft cable support and many configurations available.

CLIENT	
PROJECT NAME	
LOCATION	
DATE	

-4°F to 104°F (-20°C to 40°C)

Up to 453/Im Output

Product Detail



Lighting	Lamp	LED
	Average Life	30,000 Hours
	Beam Angle	120°
Electrical	Controls	MLV, ELV, TRIAC, 0-10V
	Input Voltage	24VDC
	Max Input Current	0.42A per Fixture
	Connections	16AWG, Copper Conductors
	Power Cable Length	Standard 6in Input; 6in Output
	Circuit	Class 2
Mechanical	Housing Construction	Aluminum 6061-T6 Optical Acrylic Lens
	Weight	1.7lbs (770g)/ea
	Operating Temperature	-4°F to 104°F (-20°C to 40°C)
Environmental	Ingress Protection	IP65
	Mounting	Aircraft Cable (not included)
	Fixture Spacing	Custom, From 2FT to 12FT
Certifications	LC	

Performance

Frosted Lens

CCT/Color		2200K	2700K	3000K
Power	W/unit	2x5		
Lumens	lm/unit	300	317	317
Efficacy	lm/unit	30	32	32
CRI	CRI	75		

Clear Lens

CCT/Color		2200K	2700K	3000K
Power	W/unit	2x5		
Lumens	lm/unit	430	453	453
Efficacy	lm/unit	43	45	45
CRI	CRI	75		

Ordering

Product Code	Series	Power	CCT	Lens Type	Finish	Input Voltage	IP Rating	Fixture Spacing
ZC6323	C	2x5W	2200K 2700K 3000K	FR = Frosted SF = Slim Frosted CL = Clear SC = Slim Clear	BK = Black GR = Gray	24	IP65	Custom From 2FT to 12FT

* Custom colors available, please consult BL Lighting for more information.

BL LIGHTING

ILLUMINATE EVERYTHING

111 - 8838 Heather St. Vancouver, BC, Canada. V6P 3S8
P: 1-804-874-4405 E: info@billighting.com
Copyright © BL INNOVATIVE LIGHTING. All Rights Reserved.

Solid State Lighting is sensitive to power fluctuations. Surge protection is highly recommended for all LED lighting products and should be on a dedicated circuit to protect against premature failure. Lack of surge protection may void your warranty.

Designed & Assembled in North America.

Specifications subject to change without notice. Please refer to our website at billighting.com for current technical data.

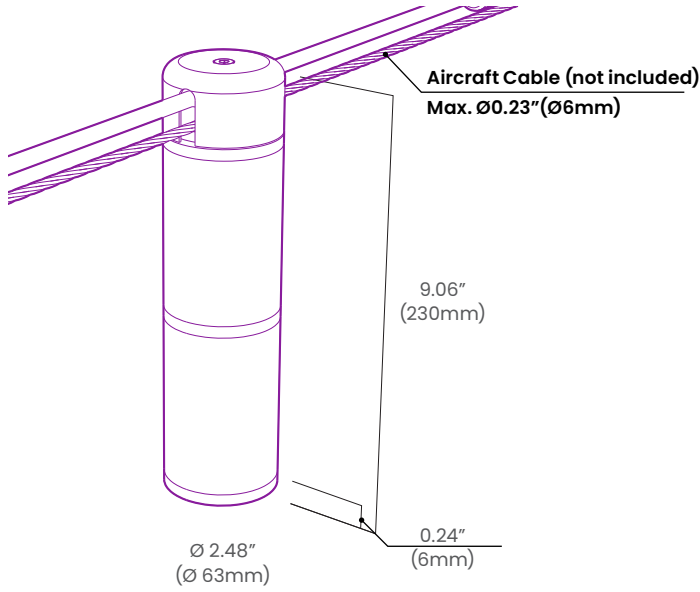
For more information, please download the BL LIGHTING catalog

billighting.com

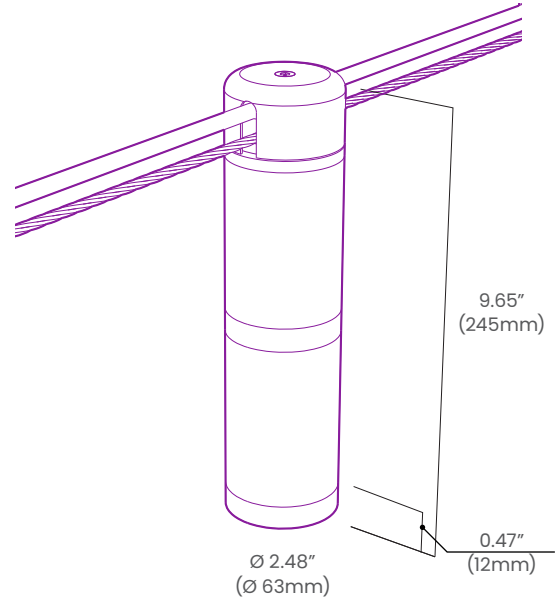


Dimensions

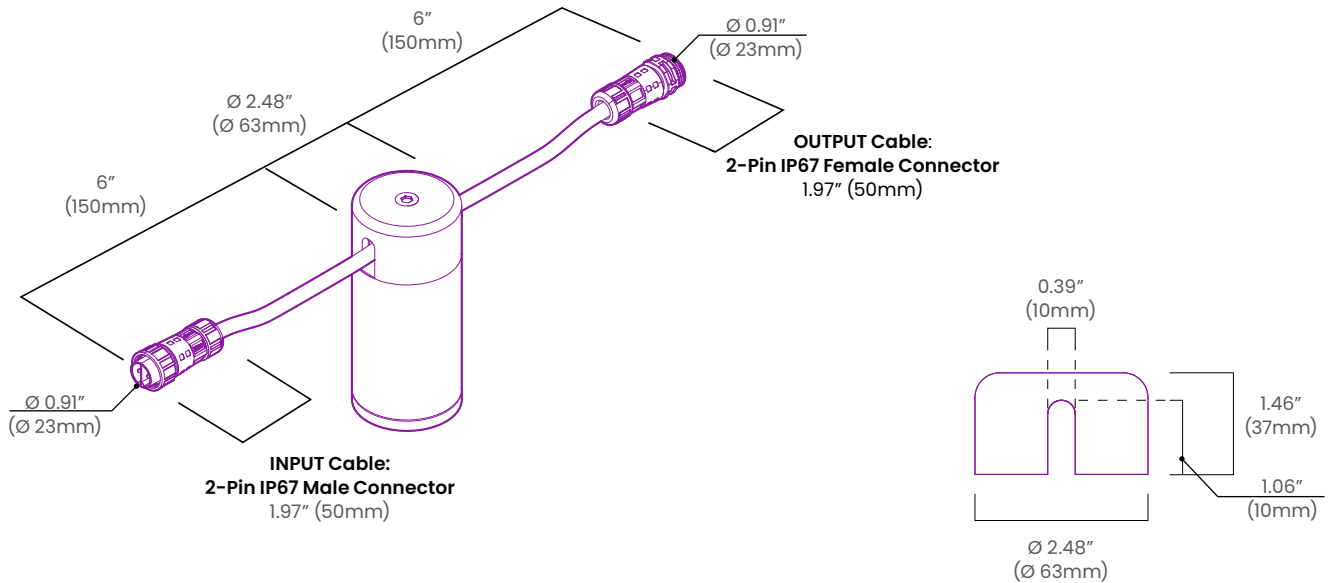
Slim Lens Version



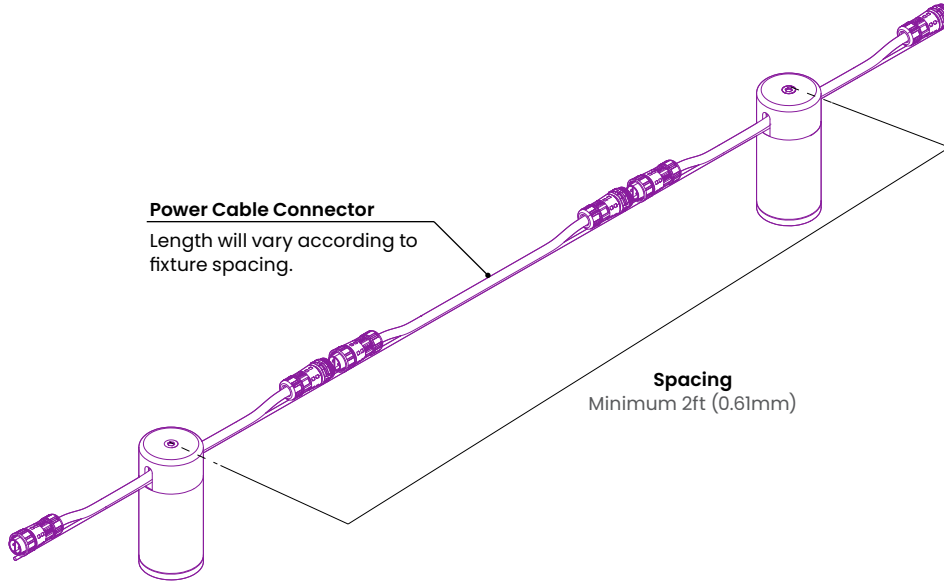
Standard Lens Version



Connection Details

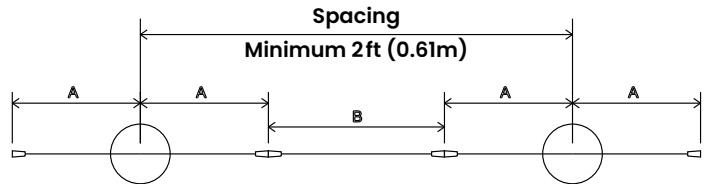


Connection Details



SJOOW Cable Weight:
0.85oz/FT (82gr/m)

The length of "B" Power + Connector varies depending on the spacing between the lights.



Spacing Light Centre to Center Distance	A Connector Length Included	B Extension Cable Length	Extention Cable Ordering Code
2ft (0.61m)	6in (0.15m)	9.75in (0.25m)	PCE ZP MF 01
3ft (0.91m)		1 ft 9.75in (0.55m)	PCE ZP MF 02
4ft (1.22m)		2ft 9.75in (0.85m)	PCE ZP MF 03
5ft (1.52m)		3ft 9.75in (1.16m)	PCE ZP MF 04
6ft (1.83m)		4ft 9.75in (1.47m)	PCE ZP MF 05
7ft (2.13m)		5ft 9.75in (1.77m)	PCE ZP MF 06
8ft (2.44m)		6ft 9.75in (2.08m)	PCE ZP MF 07
9ft (2.74m)		7ft 9.75in (2.38m)	PCE ZP MF 08
10ft (3.05m)		8ft 9.75in (2.69m)	PCE ZP MF 09
11ft (3.35m)		9ft 9.75in (2.99m)	PCE ZP MF 10
12ft (3.66m)		10ft 9.75in (3.30m)	PCE ZP MF 11

