



Please note that these instructions are guidelines only and in no way supersede any construction or installation standards. Local building and electrical codes should be consulted before installation.

ATTENTION

- There is potential danger of electrical shock when operating electrical components.
- Make sure power is turned off before installation.
- Allow for heat dissipation and adequate ventilation.

BL Lighting does not provide structural tension cables, cable ends, mounting fittings, or structural masts/poles required for catenary lighting installations. The design, engineering, and installation of all catenary systems must be reviewed and approved by a licensed structural engineer to ensure structural integrity and compliance with site-specific conditions, including luminaire weight, applied load, span, and environmental factors such as wind, ice, and corrosion.

By using BL Lighting's catenary products, the installer assumes responsibility for ensuring all necessary engineering assessments and approvals are in place.

Lighting Fixtures

Zephyr ZC6314 – Slim Lens

Size: 2.48" x 2.48" x 5.47"
(63mm x 63mm x 139mm)
Weight: 1.21 lbs (550g)



Zephyr ZC6314 – Standard Lens

Size: 2.48" x 2.48" x 5.70"
(63mm x 63mm x 145mm)
Weight: 1.21 lbs (550g)



Zephyr ZC6323 – Slim Lens

Size: 2.48" x 2.48" x 9.06"
(63mm x 63mm x 230mm)
Weight: 1.70 lbs (770g)



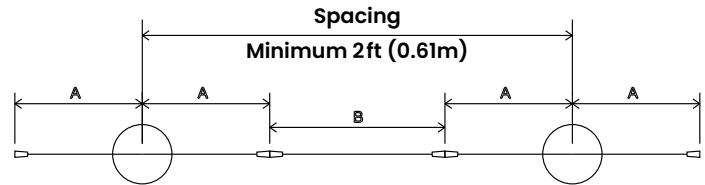
Zephyr ZC6323 – Standard Lens

Size: 2.48" x 2.48" x 9.65"
(63mm x 63mm x 245mm)
Weight: 1.70 lbs (770g)



Isometric

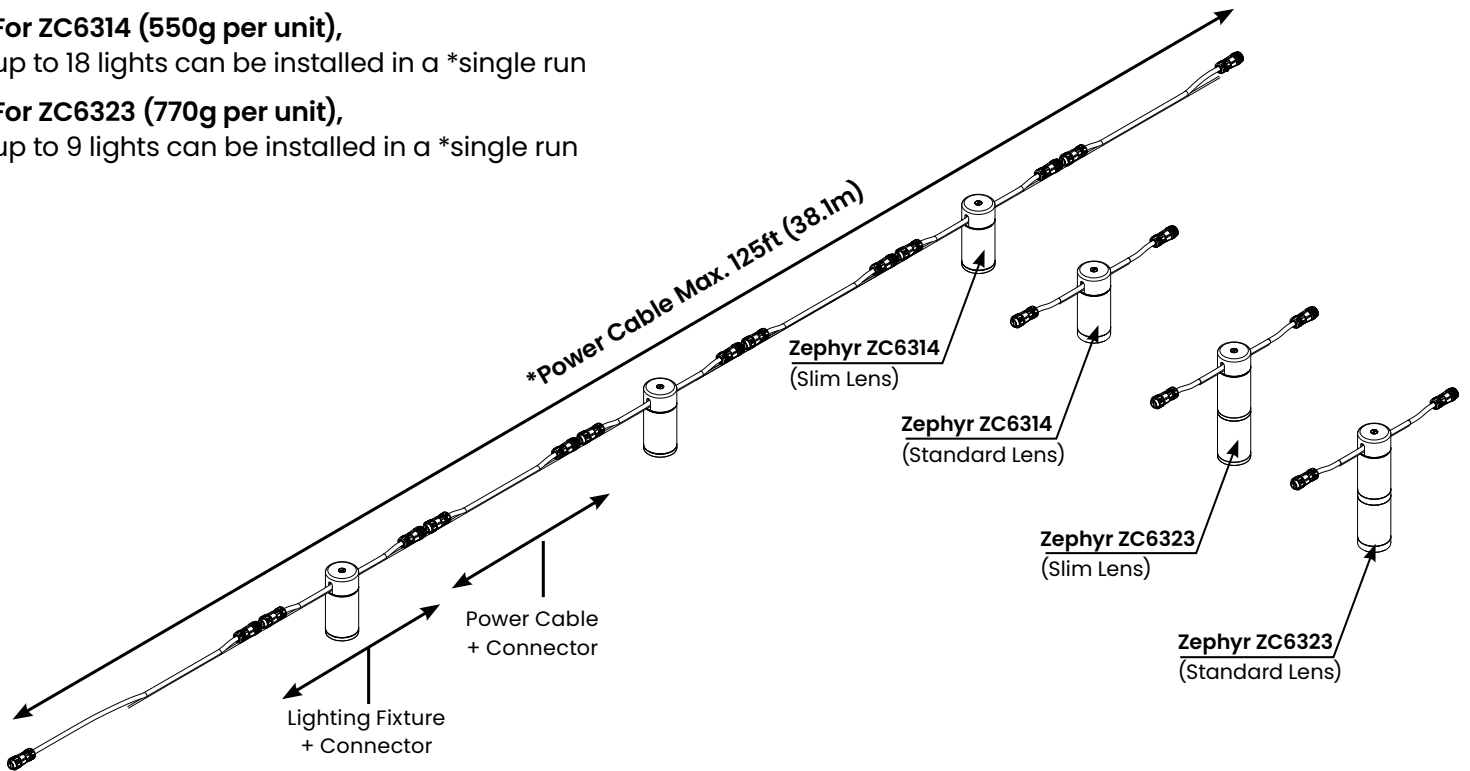
The length of "B" Power + Connector varies depending on the spacing between the lights.



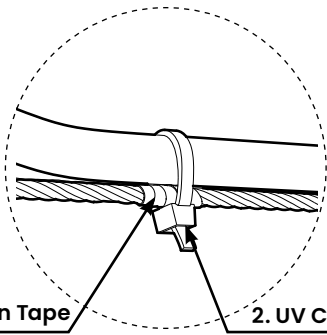
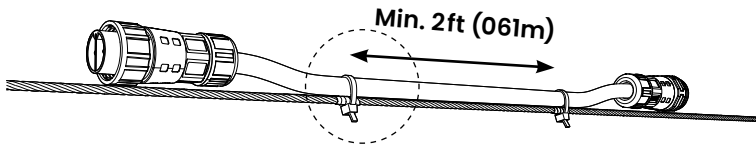
Spacing Light Centre to Center Distance	A Connector Length Included	B Extension Cable Length	Extension Cable Ordering Code
2ft (0.61m)	6in (0.15m)	9.75in (0.25m)	PCE ZP MF 01
3ft (0.91m)		1ft 9.75in (0.55m)	PCE ZP MF 02
4ft (1.22m)		2ft 9.75in (0.85m)	PCE ZP MF 03
5ft (1.52m)		3ft 9.75in (1.16m)	PCE ZP MF 04
6ft (1.83m)		4ft 9.75in (1.47m)	PCE ZP MF 05
7ft (2.13m)		5ft 9.75in (1.77m)	PCE ZP MF 06
8ft (2.44m)		6ft 9.75in (2.08m)	PCE ZP MF 07
9ft (2.74m)		7ft 9.75in (2.38m)	PCE ZP MF 08
10ft (3.05m)		8ft 9.75in (2.69m)	PCE ZP MF 09
11ft (3.35m)		9ft 9.75in (2.99m)	PCE ZP MF 10
12ft (3.66m)		10ft 9.75in (3.30m)	PCE ZP MF 11

For ZC6314 (550g per unit),
up to 18 lights can be installed in a *single run

For ZC6323 (770g per unit),
up to 9 lights can be installed in a *single run



Fixing the Power Cable to the Aircraft Cable



1. Cotton Friction Tape

2. UV Cable Tie

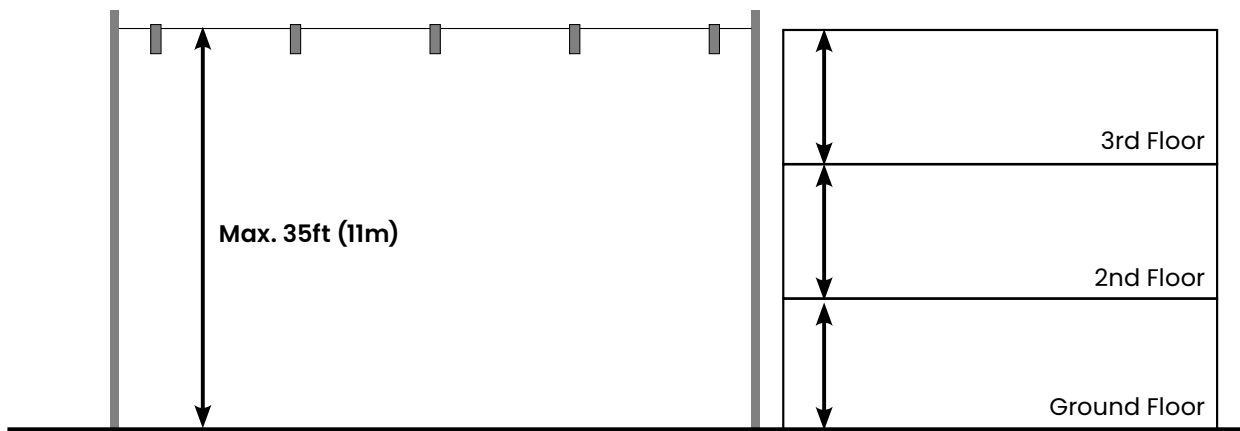
1. Cotton Friction Tape

Before securing the power cable to the aircraft cable with a cable tie, wrap cotton friction tape around the aircraft cable at the location where the cable tie will be fastened to prevent damage to the power cable.

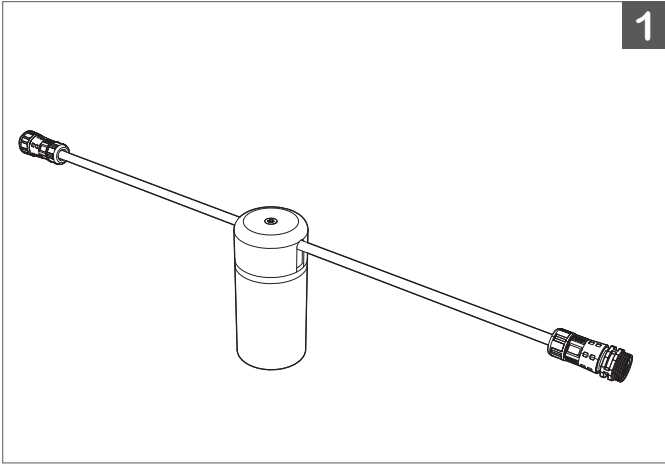
2. UV Cable Tie

Please secure a UV cable tie at the end of each connector and then tie them at 2-foot intervals along the length.

Recommended Maximum Installation Height

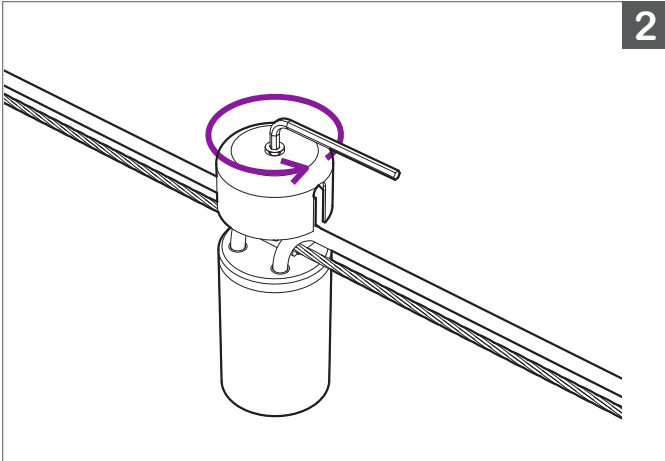


1



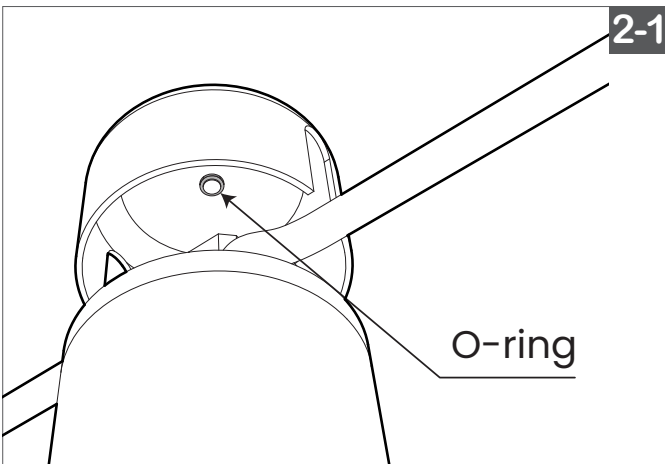
1. To install **Zephyr** on aircraft cable, follow the steps below.

2



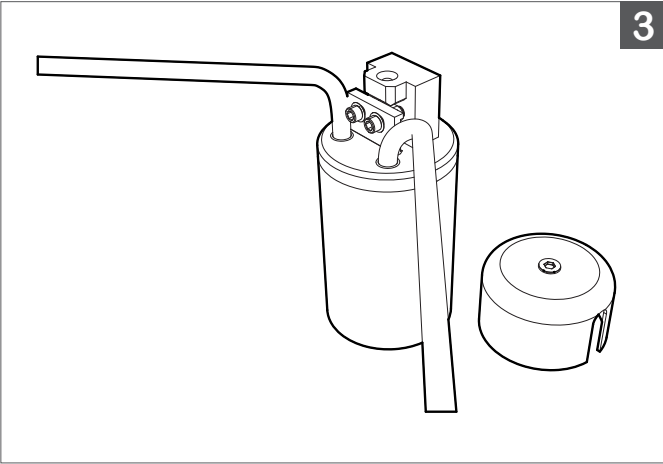
2. Use a 5/32" (4mm) hex key to turn the hex bolt on the **Zephyr** cover counterclockwise to open the cover.

2-1

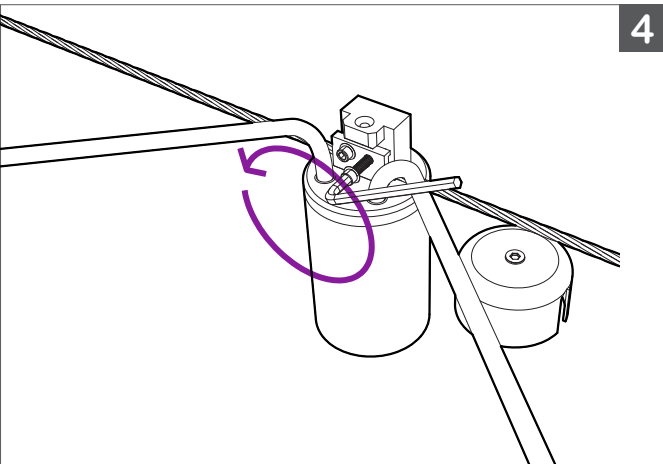


- 2-1. Please note that you do not need to turn the hex bolt all the way to remove it.
There is an O-ring on the lower part of the cover, so be careful not to let the O-ring come off the hex bolt.





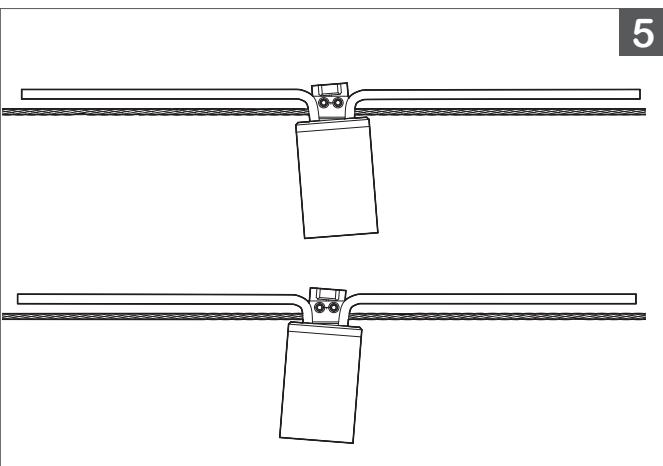
3. After opening the cover of **Zephyr**, you will see a mounting clamp with two hex bolts. Loosen the bolts on this mounting clamp to prepare for inserting the aircraft cable inside.



4. Using a hex key, turn it counterclockwise to loosen the hex bolts. Depending on the thickness of the aircraft cable that will be inserted and secured inside this mounting clamp, determine how much to loosen them hex bolts.

If the aircraft cable thickness is 1/8" (3.2mm) or less, you can install the aircraft cable by inserting it without fully loosening the hex bolts.

However, if the aircraft cable is thicker than 1/8" (3.2mm), you need to completely loosen the hex bolts, remove the mounting clamp entirely, insert the aircraft cable, and then reattach the mounting clamp. The maximum allowable aircraft cable diameter for installation is 15/64" (6mm).

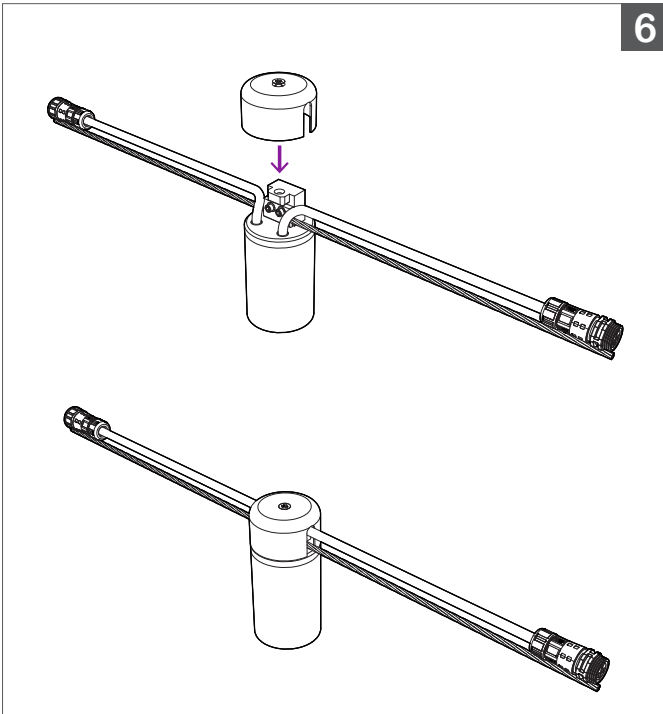


5. The mounting clamp on the **Zephyr** allows for adjustment of the fixture's orientation to the left or right along its direction, depending on how you secure the aircraft cable.

After aligning the fixture to the desired angle to accommodate swag, tighten the hex bolts by turning them counterclockwise"



6



6.

After securing the **Zephyr** to the aircraft cable, close the **Zephyr** cover by turning it clockwise with a hex key to fix it to the **Zephyr** body. When tightening, make sure the O-ring is not dislodged.

