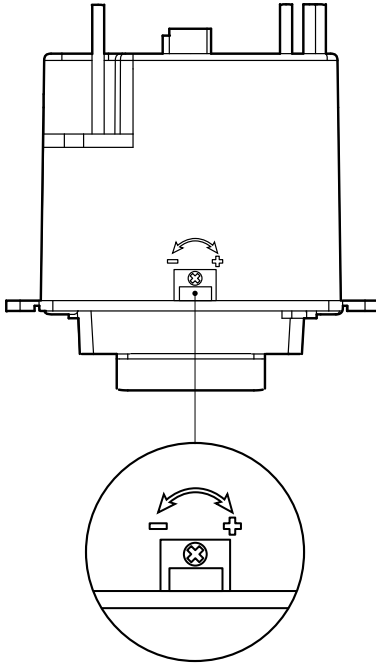


## Channel

Single (60W, 90W)

Top View



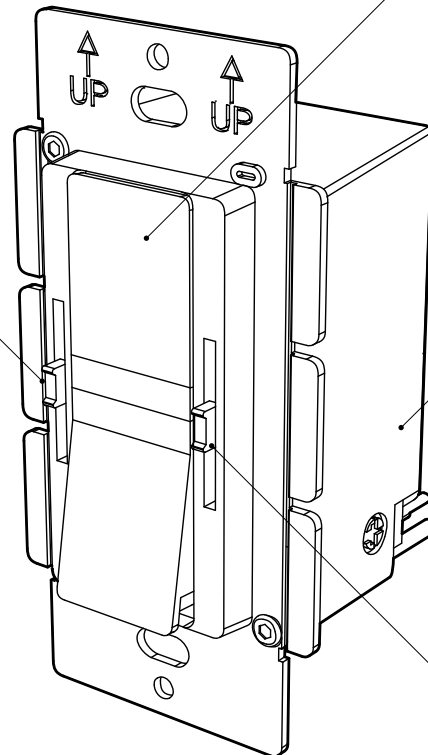
### Voltage Adjustable Knob

12V Output Voltage: 12-13.5V

24V Output Voltage: 24-26V

Tunable  
White / CCT Slider

ON / OFF Switch



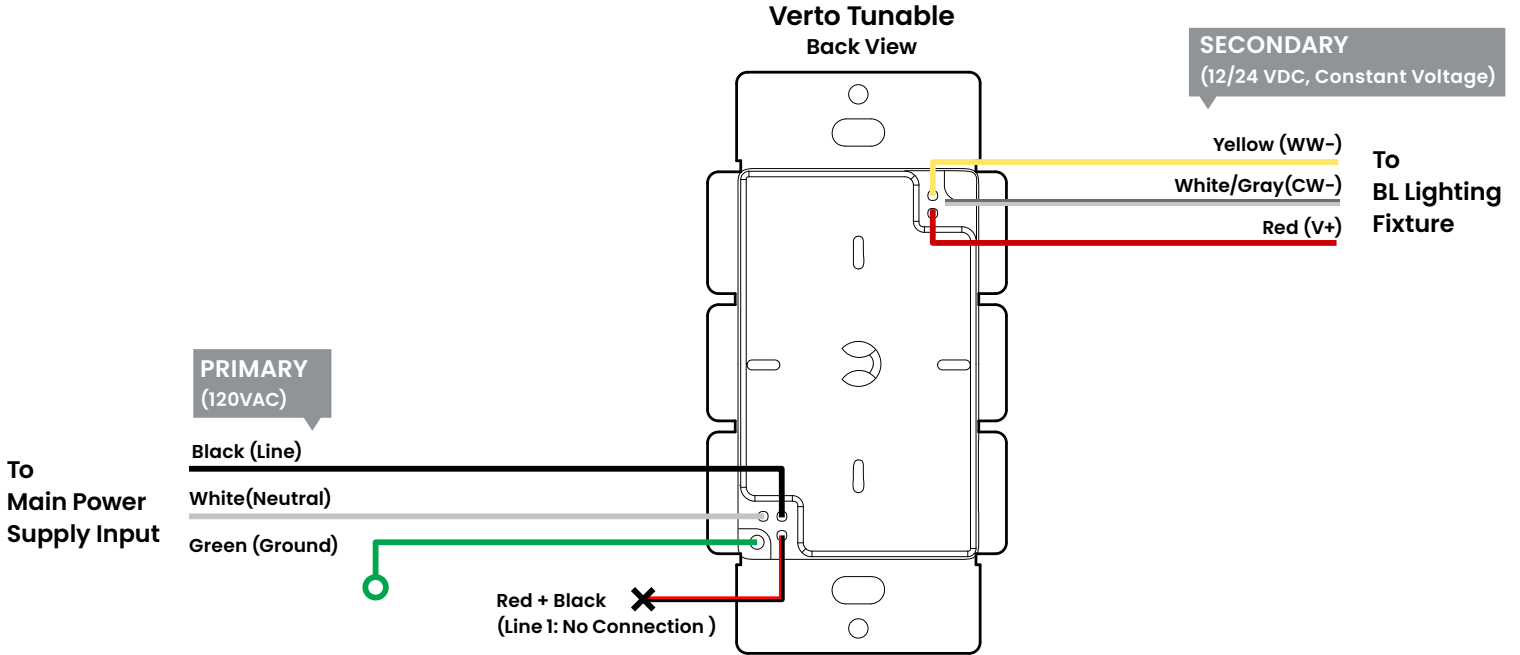
Internal Driver

Brightness Slider



**Single Channel (60W, 96W)**

STANDARD DIMMING



**Single Channel (60W, 96W)**

3 WAY DIMMING

