

Verto Dim 96W

BL Power

Integrated Dimmer Switch & Driver
96W, 24VDC Constant Voltage



The **Verto Dim 96W** is a 24V constant voltage LED driver featuring a 2-in-1 integrated dimmer design. This Class 2 rated unit supports both standard and 3-way switching, ensuring seamless synergy between drivers and switches. It provides flicker-free power with smooth dimming, ensuring reliable performance for high-quality LED lighting applications.

CLIENT	
PROJECT NAME	
LOCATION	
DATE	

Driver + Dimmer 2 in 1

Constant Voltage

Product Detail

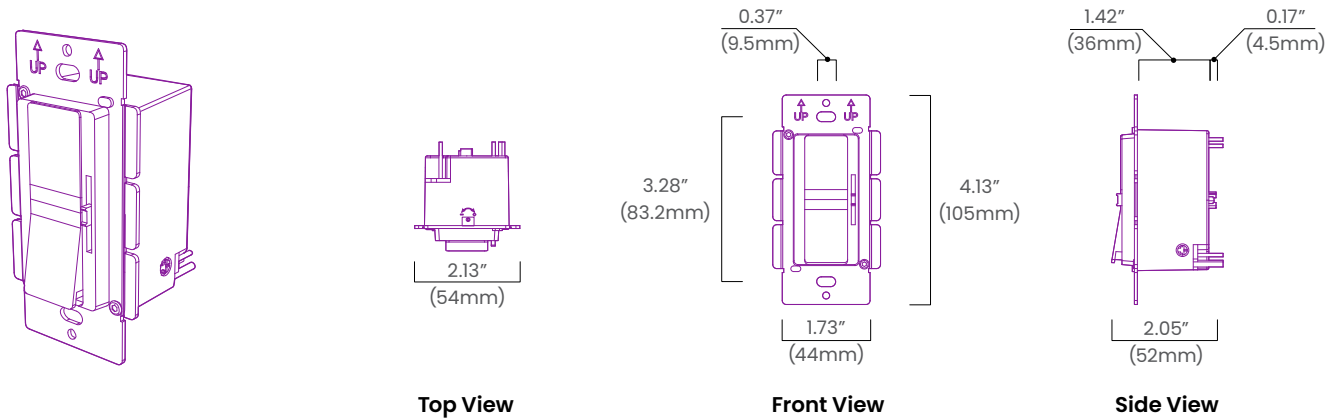


Electrical	Input Voltage	120VAC
	Input Frequency	60Hz
	Max Input Current	0.9A
	Power	96W
	Dimming	1 Channel, PWM output
	Output Voltage	24VDC
	Output Current	4A
	Power Factor	0.99
	Efficiency	91%
	Connections	6 x 18AWG
Mechanical	Circuit	Class 2
	Housing Construction	Aluminum
	Weight	0.55lb (250g)
	Dimension	4.13" x 2.13" x 2.05" (105mm x 54mm x 52mm)
Environmental	Operating Temperature	-40°F to 140°F (-40°C to 60°C)
	Ingress Protection	IP20
	Relative Humidity	20-95%RH (non-condensing)
	Certificate	cULus, FCC, RoHS

Ordering

Product Code	Series	Power	Output	Input Voltage	IP Rating
VT1	P	96W	24	120	IP20

Dimensions



BL LIGHTING
ILLUMINATE EVERYTHING

111 - 8838 Heather St. Vancouver, BC, Canada. V6P 3S8
P: 1-804-874-4405 E: info@bllighting.com
Copyright © BL INNOVATIVE LIGHTING. All Rights Reserved.

Solid State Lighting is sensitive to power fluctuations. Surge protection is highly recommended for all LED lighting products and should be on a dedicated circuit to protect against premature failure. Lack of surge protection may void your warranty.

Designed & Assembled in North America.

Specifications subject to change without notice. Please refer to our website at bllighting.com for current technical data.

For more information, please download the BL LIGHTING catalog

bllighting.com

