

Verto D80W

BL Power

Integrated Switch & Driver
2 x 80W, 24VDC Constant Voltage



The **Verto D80W** is an aluminum-constructed, 2-in-1 integrated driver and switch solution. This non-dimmable, constant voltage power supply delivers a total rated power of 160W at a 24VDC rated voltage while maintaining a flicker-free output. Rated Class 2 and IP20, and certified to cULus, FCC, and RoHS standards, it is ideal for safe use in dry locations.

CLIENT	
PROJECT NAME	
LOCATION	
DATE	

Driver + Switch 2 in 1

Constant Voltage

Product Detail

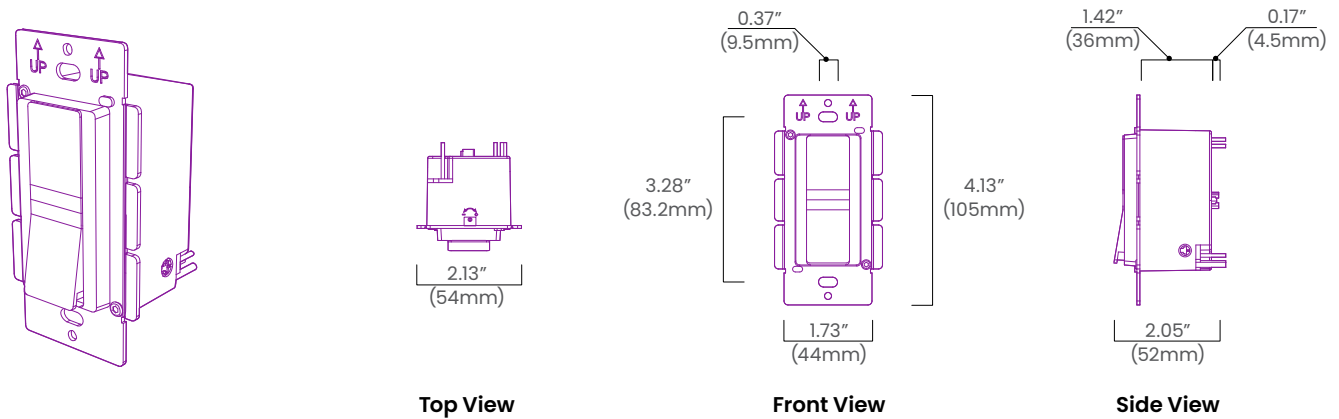


Electrical	Input Voltage	120VAC
	Input Frequency	60Hz
	Max Input Current	1.5A
	Power	160W (2 x 80W)
	Dimming	Non-Dimmable
	Output Voltage	24VDC
	Output Current	2 x 3.33A
	Power Factor	0.99
Mechanical	Efficiency	94.5%
	Connections	8 x 18AWG
	Circuit	Class 2
	Housing Construction	Aluminum
Environmental	Weight	0.60lb (270g)
	Dimension	4.13" x 2.13" x 2.05" (105mm x 54mm x 52mm)
	Operating Temperature	-40°F to 140°F (-40°C to 60°C)
	Ingress Protection	IP20
	Relative Humidity	20-95%RH (non-condensing)
Certificate	cULus, FCC, RoHS	

Ordering

Product Code	Series	Power	Output	Input Voltage	IP Rating
VTST	P	D80W	24	120	IP20

Dimensions



BL LIGHTING
ILLUMINATE EVERYTHING

111 - 8838 Heather St. Vancouver, BC, Canada. V6P 3S8
P: 1-804-874-4405 E: info@bllighting.com
Copyright © BL INNOVATIVE LIGHTING. All Rights Reserved.

Solid State Lighting is sensitive to power fluctuations. Surge protection is highly recommended for all LED lighting products and should be on a dedicated circuit to protect against premature failure. Lack of surge protection may void your warranty.

Designed & Assembled in North America.

Specifications subject to change without notice. Please refer to our website at bllighting.com for current technical data.

For more information, please download the BL LIGHTING catalog

bllighting.com

