

Verto D60W 12V

BL Power

Integrated Switch & Driver
2 x 60W, 12VDC Constant Voltage



The **Verto D60W 12V** is a compact, aluminum-constructed 2-in-1 integrated driver and switch designed for reliable performance. This non-dimmable, constant voltage power supply delivers a total rated power of 120W at a 12V DC rated voltage while maintaining a flicker-free output. Rated Class 2 and IP20, and certified to cULus, FCC, and RoHS standards, it is ideal for safe use in dry locations.

CLIENT	
PROJECT NAME	
LOCATION	
DATE	

Driver + Switch 2 in 1

Constant Voltage

Product Detail

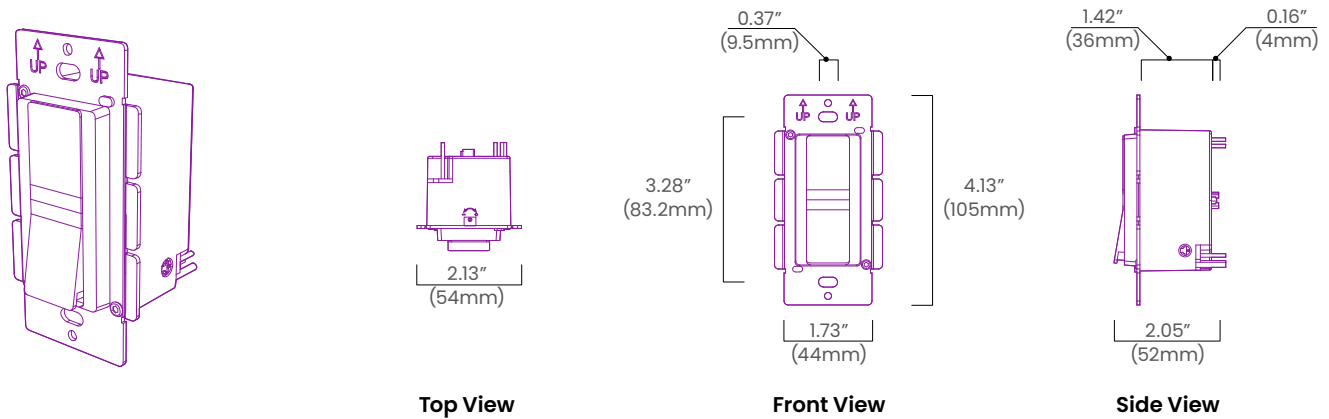


Electrical	Input Voltage	120VAC
	Input Frequency	60Hz
	Max Input Current	1.1A
	Power	120W (2 x 60W)
	Dimming	Non-Dimmable
	Output Voltage	12VDC
	Output Current	2 x 5A
	Power Factor	0.99
	Efficiency	93.3%
	Connections	8 x 18AWG
Mechanical	Circuit	Class 2
	Housing Construction	Aluminum
	Weight	0.60lb (270g)
	Dimension	4.13" x 2.13" x 2.05" (105mm x 54mm x 52mm)
Environmental	Operating Temperature	-40°F to 140°F (-40°C to 60°C)
	Ingress Protection	IP20
	Relative Humidity	20-95%RH (non-condensing)
	Certificate	cULus, FCC, RoHS

Ordering

Product Code	Series	Power	Output	Input Voltage	IP Rating
VTST	P	D60W	12	120	IP20

Dimensions



BL LIGHTING
ILLUMINATE EVERYTHING

111 - 8838 Heather St. Vancouver, BC, Canada. V6P 3S8
P: 1-804-874-4405 E: info@bllighting.com
Copyright © BL INNOVATIVE LIGHTING. All Rights Reserved.

Solid State Lighting is sensitive to power fluctuations. Surge protection is highly recommended for all LED lighting products and should be on a dedicated circuit to protect against premature failure. Lack of surge protection may void your warranty.

Designed & Assembled in North America.

Specifications subject to change without notice. Please refer to our website at bllighting.com for current technical data.

For more information, please download the BL LIGHTING catalog

bllighting.com

