

# Verto 96W

BL Power

Integrated Switch & Driver  
96W, 24VDC Constant Voltage



The **Verto 96W** is an aluminum-constructed, 24VDC constant voltage LED driver featuring a unique 2-in-1 integrated switch design. This Class 2 rated unit supports both standard and 3-way switching, eliminating compatibility issues between drivers and switches. It provides 96W of flicker-free power.

<b>CLIENT</b>	
<b>PROJECT NAME</b>	
<b>LOCATION</b>	
<b>DATE</b>	

Driver + Switch 2 in 1

Constant Voltage

## Product Detail

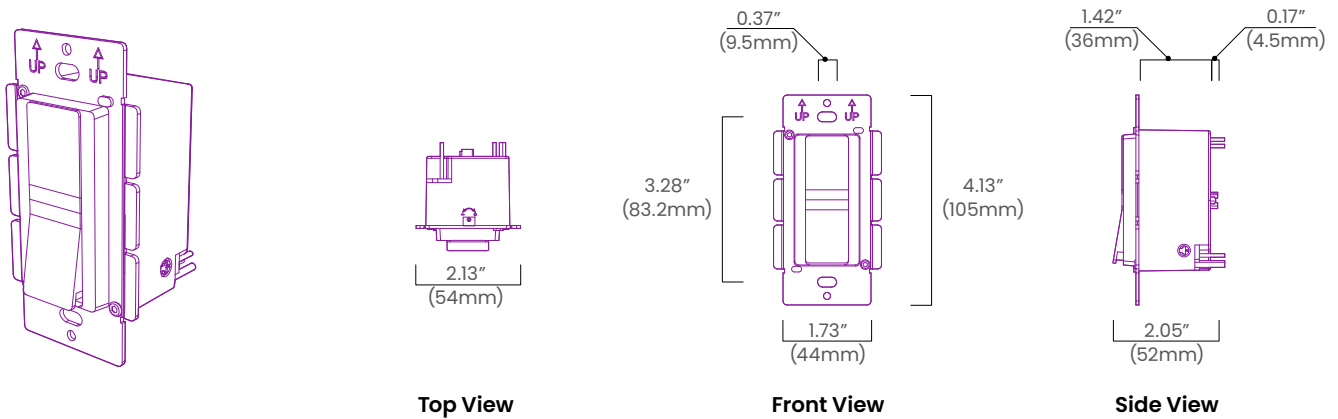


<b>Electrical</b>	Input Voltage	120VAC
	Input Frequency	47-63Hz
	Max Input Current	0.9A
	Power	96W
	Dimming	Non-Dimmable
	Output Voltage	24VDC
	Output Current	4A
<b>Mechanical</b>	Power Factor	0.99
	Efficiency	91%
	Connections	6 x 18AWG
	Circuit	Class 2
	Housing Construction	Aluminum
<b>Environmental</b>	Weight	0.60lb (270g)
	Dimension	4.13" x 2.13" x 2.05" (105mm x 54mm x 52mm)
	Operating Temperature	-40°F to 122°F (-40°C to 50°C)
	Ingress Protection	IP20
	Relative Humidity	20-95%RH (non-condensing)
Certificate	cULus, FCC, RoHS	

## Ordering

Product Code	Series	Power	Output	Input Voltage	IP Rating
VTST	P	96W	24	120	IP20

## Dimensions



**BL LIGHTING**  
ILLUMINATE EVERYTHING

111 - 8838 Heather St. Vancouver, BC, Canada. V6P 3S8  
P: 1-804-874-4405 E: info@blighting.com  
Copyright © BL INNOVATIVE LIGHTING. All Rights Reserved.

Solid State Lighting is sensitive to power fluctuations. Surge protection is highly recommended for all LED lighting products and should be on a dedicated circuit to protect against premature failure. Lack of surge protection may void your warranty.

Designed & Assembled in North America.

Specifications subject to change without notice. Please refer to our website at blighting.com for current technical data.

For more information, please download the BL LIGHTING catalog

blighting.com

