

# Verto 60W

BL Power

Integrated Switch & Driver  
60W, 24VDC Constant Voltage



The **Verto 60W** is an aluminum-constructed, 24VDC constant voltage LED driver featuring a 2-in-1 integrated switch design. This Class 2 rated unit supports both standard and 3-way switching, eliminating compatibility issues between drivers and switches. It provides 60W of flicker-free power. Rated IP20 and certified to cULus, FCC, and RoHS standards, it is ideal for safe use in dry locations.

<b>CLIENT</b>	
<b>PROJECT NAME</b>	
<b>LOCATION</b>	
<b>DATE</b>	

Driver + Switch 2 in 1

Constant Voltage

## Product Detail

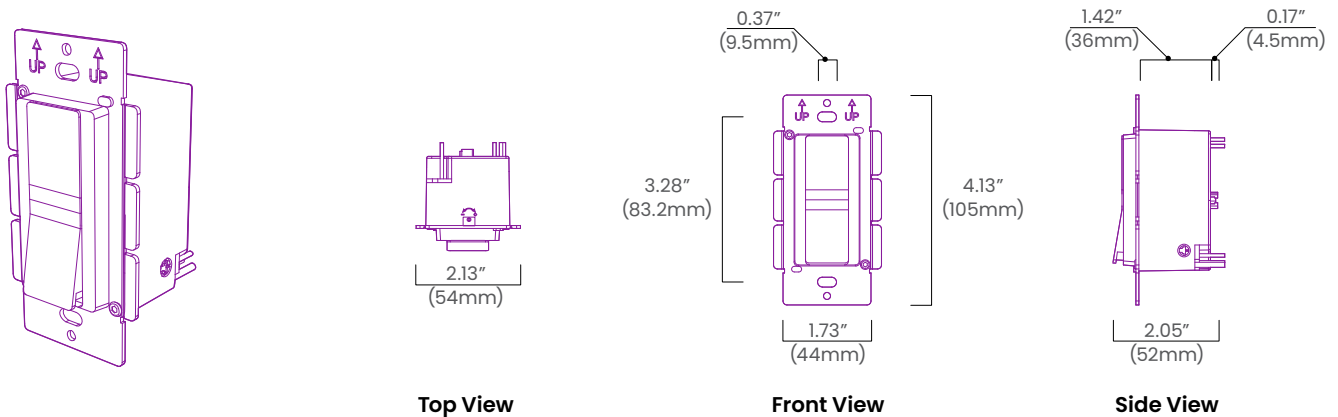


<b>Electrical</b>	Input Voltage	120VAC
	Input Frequency	47-63Hz
	Max Input Current	0.6A
	Power	60W
	Dimming	Non-Dimmable
	Output Voltage	24VDC
	Output Current	2.5A
	Power Factor	0.99
	Efficiency	91%
	Connections	6 x 18AWG
<b>Mechanical</b>	Circuit	Class 2
	Housing Construction	Aluminum
	Weight	0.55lb (250g)
	Dimension	4.13" x 2.13" x 2.05" (105mm x 54mm x 52mm)
<b>Environmental</b>	Operating Temperature	-40°F to 122°F (-40°C to 50°C)
	Ingress Protection	IP20
	Relative Humidity	20-95%RH (non-condensing)
	Certificate	cULus, FCC, RoHS

## Ordering

Product Code	Series	Power	Output	Input Voltage	IP Rating
VTST	P	60W	24	120	IP20

## Dimensions



**BL LIGHTING**  
ILLUMINATE EVERYTHING

111 - 8838 Heather St. Vancouver, BC, Canada. V6P 3S8  
P: 1-804-874-4405 E: info@bllighting.com  
Copyright © BL INNOVATIVE LIGHTING. All Rights Reserved.

Solid State Lighting is sensitive to power fluctuations. Surge protection is highly recommended for all LED lighting products and should be on a dedicated circuit to protect against premature failure. Lack of surge protection may void your warranty.

Designed & Assembled in North America.

Specifications subject to change without notice. Please refer to our website at [bllighting.com](http://bllighting.com) for current technical data.

For more information, please download the BL LIGHTING catalog

[bllighting.com](http://bllighting.com)

