

Verto 60W 12V

BL Power

Integrated Switch & Driver
60W, 12VDC Constant Voltage



The Verto 60W 12V is an aluminum-constructed, constant voltage LED driver featuring a 2-in-1 integrated switch design. This Class 2 rated unit supports both standard and 3-way switching, eliminating compatibility issues between drivers and switches. It provides 60W of flicker-free power. IP20 and certified to cULus, FCC, and RoHS standards, it is ideal for safe use in dry locations.

CLIENT	
PROJECT NAME	
LOCATION	
DATE	

Driver + Switch 2 in 1

Constant Voltage

Product Detail

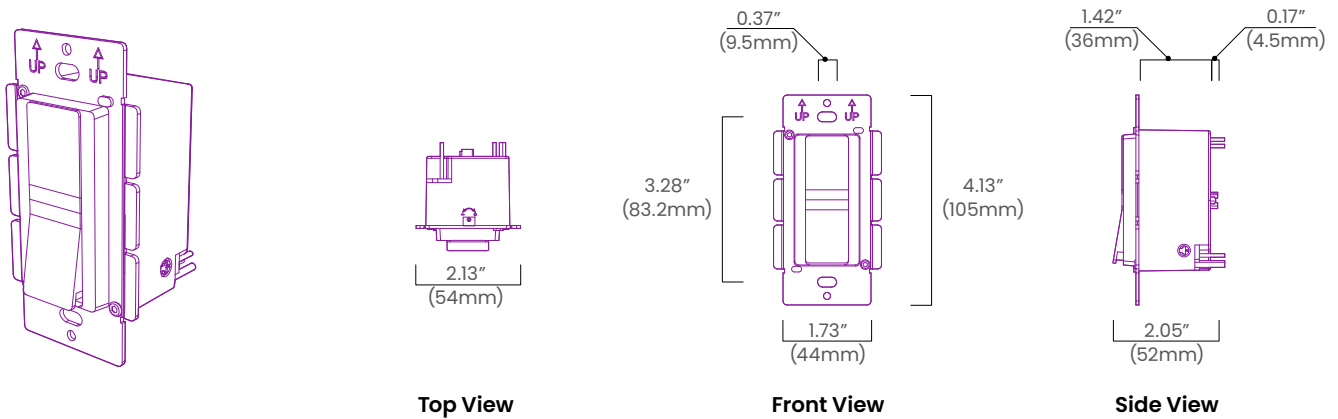


Electrical	Input Voltage	120VAC
	Input Frequency	47-63Hz
	Max Input Current	0.6A
	Power	60W
	Dimming	Non-Dimmable
	Output Voltage	12VDC
	Output Current	5A
	Power Factor	0.99
	Efficiency	90%
	Connections	6 x 18AWG
Mechanical	Circuit	Class 2
	Housing Construction	Aluminum
	Weight	0.55lb (250g)
Environmental	Dimension	4.13" x 2.13" x 2.05" (105mm x 54mm x 52mm)
	Operating Temperature	-40°F to 122°F (-40°C to 50°C)
	Ingress Protection	IP20
	Relative Humidity	20-95%RH (non-condensing)
Certificate	cULus, FCC, RoHS	

Ordering

Product Code	Series	Power	Output	Input Voltage	IP Rating
VTST	P	60W	12	120	IP20

Dimensions



BL LIGHTING
ILLUMINATE EVERYTHING

111 - 8838 Heather St. Vancouver, BC, Canada. V6P 3S8
P: 1-804-874-4405 E: info@blighting.com
Copyright © BL INNOVATIVE LIGHTING. All Rights Reserved.

Solid State Lighting is sensitive to power fluctuations. Surge protection is highly recommended for all LED lighting products and should be on a dedicated circuit to protect against premature failure. Lack of surge protection may void your warranty.

Designed & Assembled in North America.

Specifications subject to change without notice. Please refer to our website at blighting.com for current technical data.

For more information, please download the BL LIGHTING catalog

blighting.com

