

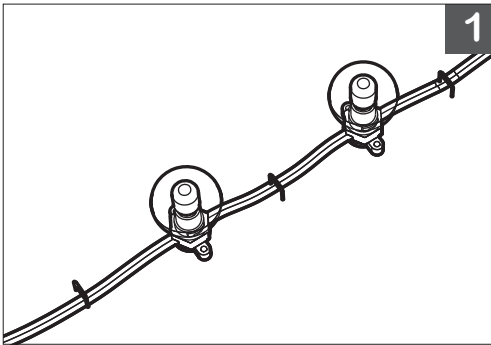


Please note that these instructions are guidelines only and in no way supersede any construction or installation standards. Local building and electrical codes should be consulted before installation.

**ATTENTION**

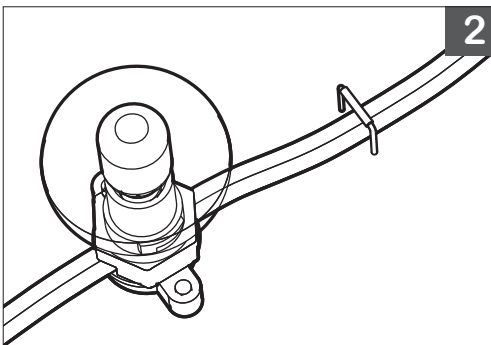
- There is potential danger of electrical shock when operating electrical components.
- Make sure power is turned off before installation.
- Allow for heat dissipation and adequate ventilation.

**SURFACE**



1. Ensure that **Spotglobe** wire is taut and controlled to mounting surface before permanently mounting.

**NOTE:** Mounting Accessories are not included.

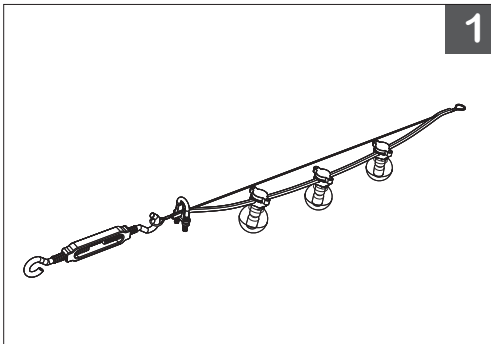


2. Use Insulated Wire Clips when installing **Spotglobe**. For a secure harness, please use a minimum of two clips per foot.

**IMPORTANT:** Do not install clips through wire. All clips must be mounted evenly and accurately.

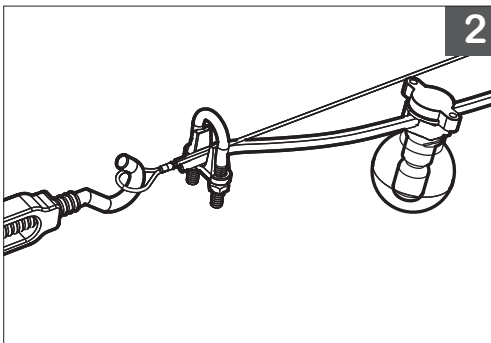


**SUSPENDED**



1. When assembling the Suspension Kit, fasten the **Spotglobe** wire into the assembly with Clamps.

**NOTE:** Mounting Accessories are not included. Suspension components and system may vary.



2. The Aircraft Cable should have a minimum 1/8th (3mm) diameter to handle weight of **Spotglobe** up to 100'.

**IMPORTANT:** Before suspending the lighting, please guarantee that **Spotglobe** wire is securely fixed with a Strain Relief at the Power Box - the wire may not be strong enough to bear the weight over long distance.

