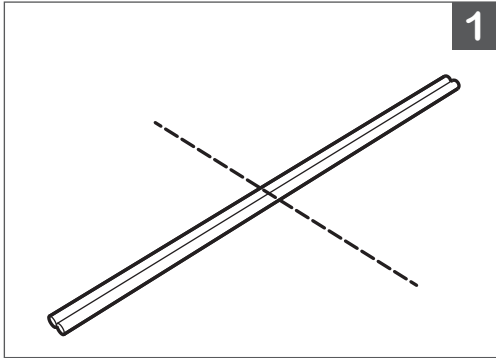




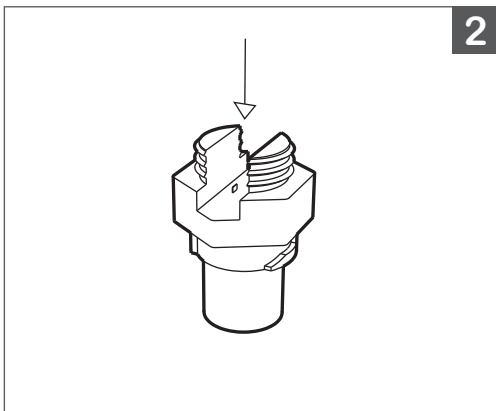
Please note that these instructions are guidelines only and in no way supersede any construction or installation standards. Local building and electrical codes should be consulted before installation.

ATTENTION

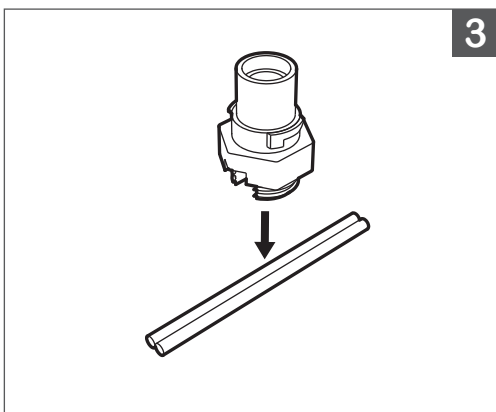
- There is potential danger of electrical shock when operating electrical components.
- Make sure power is turned off before installation.
- Allow for heat dissipation and adequate ventilation.



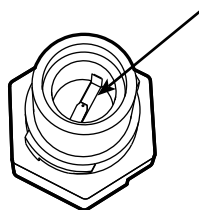
1. Cut the desired length of 16AWG/2 Wire



2. Using a small brush, apply Ox-Gard anti-oxidant compound at the bottom of the Lamp Holder where the pins are located

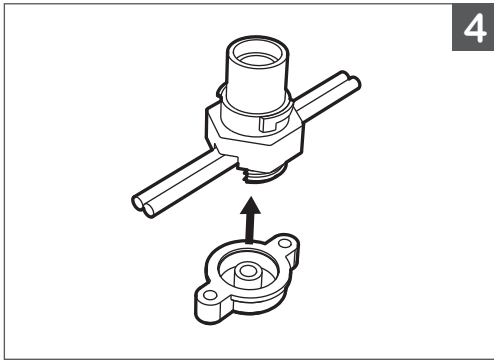


3. Secure Lamp Holder onto the Wire



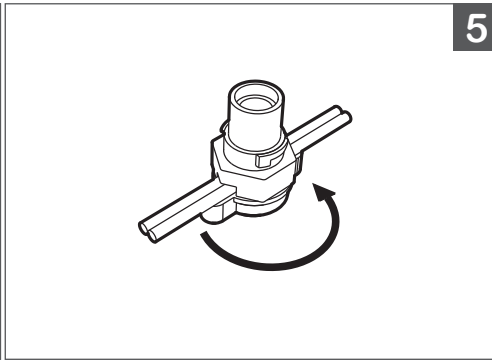
IMPORTANT: Make sure the contacts are aligned in the same direction to ensure polarity is congruent along the line.





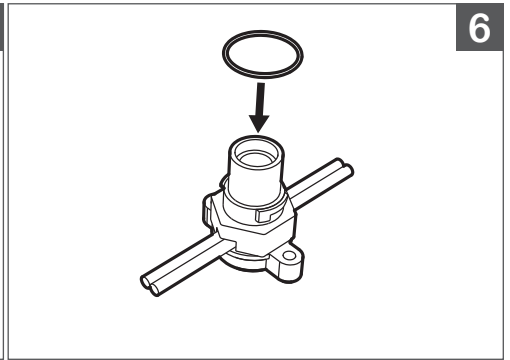
4

4. Align Lamp Holder onto Holder Base



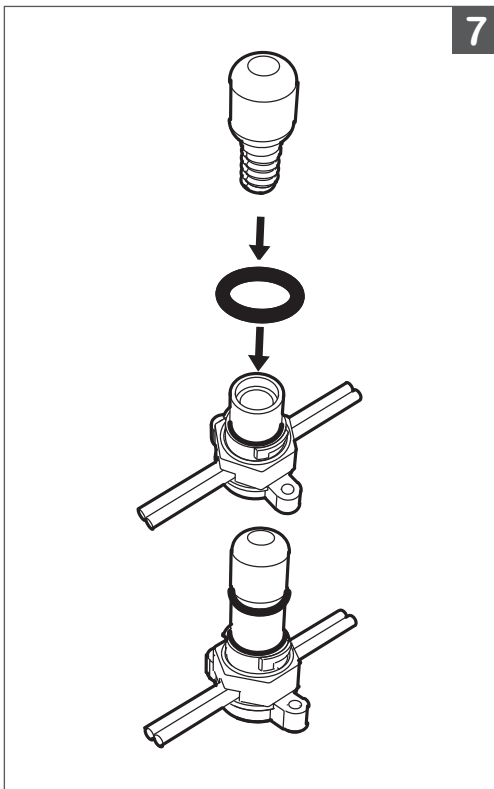
5

5. Screw Holder Base securely



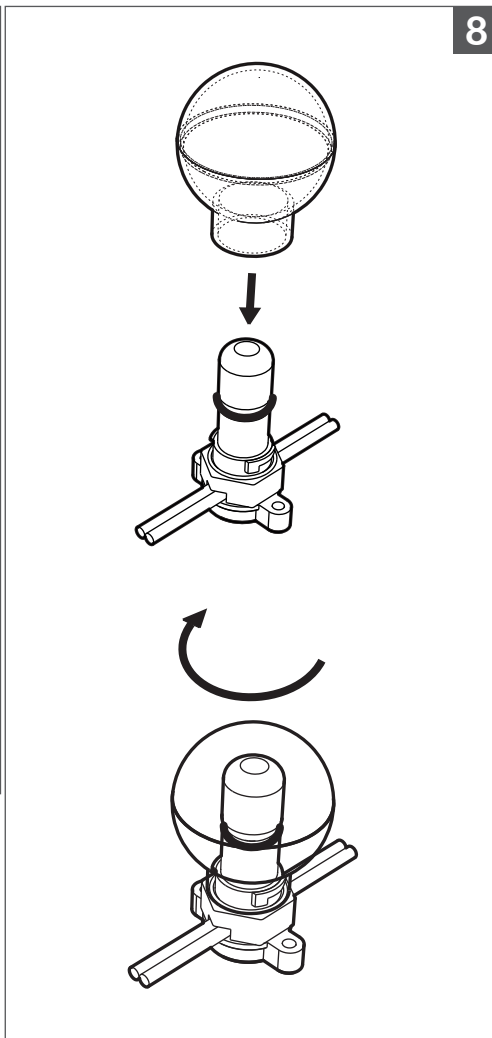
6

6. Slip the lower(thin) O-Ring over the Lamp Holder



7

7. Slip the upper(thick) O-ring over the Lamp and Screw the Lamp into the Lamp Holder



8

8. Affix the Globe onto the Lamp Holder

