

Side V Tunable

BL Neonview

Diffused, Flexible, Linear LED Lighting,
24VDC, Constant Voltage, Vertical Bend,
Side Profile, Silicone, Tunable White



Side V Tunable has a fully flexible Silicone encapsulated diffuser and is rated for a range of operating temperatures from -40° F to 131° F (-40° C to 55° C) for sustained ability to weather the elements, even in the most extreme environmental conditions. The unique vertical bending across the flat light surface is ideal for circular coves, contours and side-emitting light. The 120° beam angle delivers up to 149 lm/ft from 2200K – 5700K, and provides uniform, dot-free illumination.

CLIENT	
PROJECT NAME	
LOCATION	
DATE	

Dot-free Seamless connections -40°F to 131°F (-40°C to 55°C) Tunable White

Product Detail



Lighting	Lamp	LED, SMD 3015
	LED's Per Foot	44 LEDs/ft (144 LEDs/m)
	Beam Angle	120°
	Average Life	50,000 Hours
Electrical	Controls	DMX, Bluetooth
	Input Voltage	24VDC
	Max Input Current	4.12A
	Connections	18AWG, Copper Conductors
	Power Cable Length	Standard 10ft (3m). Also available in 16ft (5m) and 32ft (10m)
Mechanical	Circuit	Class 2
	Housing Construction	Injection Moulded White Silicone
	Minimum Bend Radius	5.9" (150mm)
	Operating Temperature	-40°F to 131°F (-40°C to 55°C)
Environmental	Ingress Protection	IP68
	Impact Protection	IK10
	Vibration Rating	3G
	Resistance	UV, Flame, Solvents and Saltwater Resistant
	Certifications	cULus, CE, RoHS Compliant



Performance

CCT/Color		2200K	5700K	2200K + 5700K
Power	W/FT (W/m)	-	-	3.66 (12)
Lumens	lm/FT (lm/m)	67 (220)	82 (269)	149 (489)
Efficacy	lm/W	-	-	41
CRI	CRI	80		
Increment	inch (mm)	3.28 (83.3)		
Max. Length	ft (m)	24ft 6in (7.5m)		

Ordering

Product Code	Series	CCT	Input Voltage	IP Rating
SVTN	N	2200K-5700K	24	IP68

Note:
Lengths, Lead Orientations & Mounting Accessories for Neonview must be confirmed at time of order.

BL LIGHTING
ILLUMINATE EVERYTHING

111 - 8838 Heather St. Vancouver, BC, Canada. V6P 3S8
P: 1-804-874-4405 E: info@bllighting.com
Copyright © BL INNOVATIVE LIGHTING. All Rights Reserved.

Solid State Lighting is sensitive to power fluctuations. Surge protection is highly recommended for all LED lighting products and should be on a dedicated circuit to protect against premature failure. Lack of surge protection may void your warranty.

Designed & Assembled in North America.

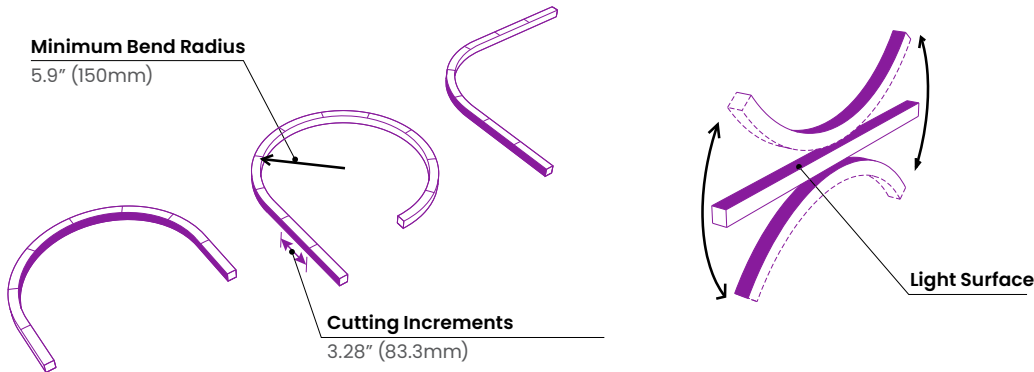
Specifications subject to change without notice. Please refer to our website at bllighting.com for current technical data.

For more information, please download the BL LIGHTING catalog

bllighting.com

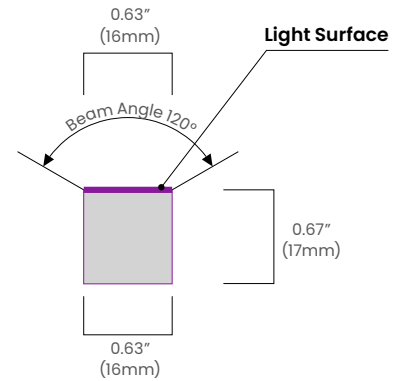


Minimum Bend Radius and Bend Orientation



BL Neonview Side Series bends vertically
Horizontal bend option also available (HB Version)

Beam Angle & Viewing Angle

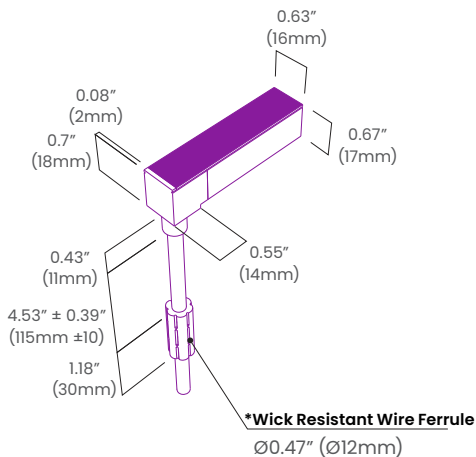


Average Beam Angle (50%): 110.5°

Dimensions & Lead Orientations

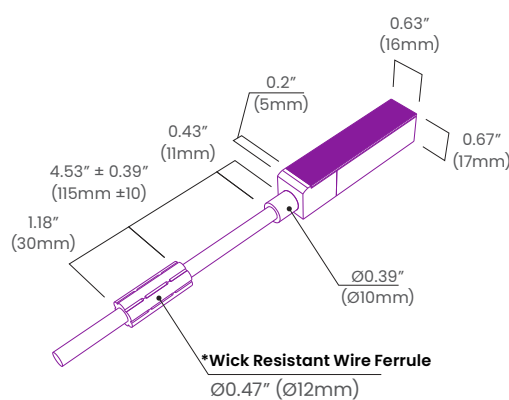
Back Lead

NVS SL BC 68

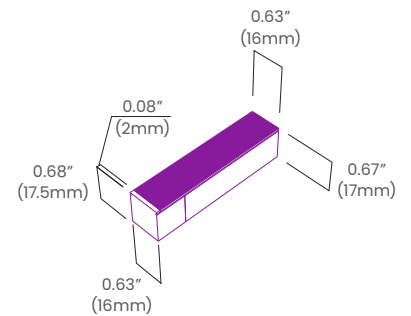


End Lead

NVS SL EC 68

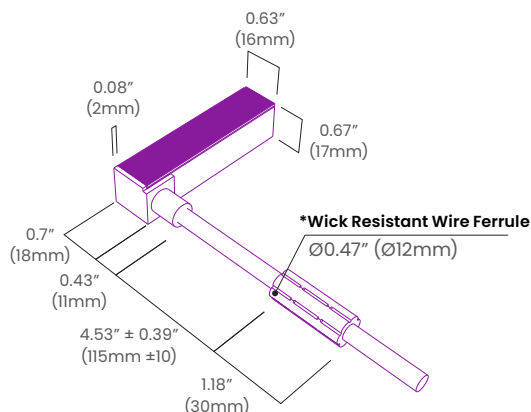


End Cap



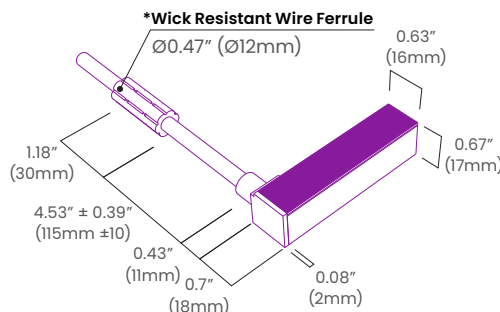
Right Side Lead

NVS SL RC 68



Left Side Lead

NVS SL LC 68



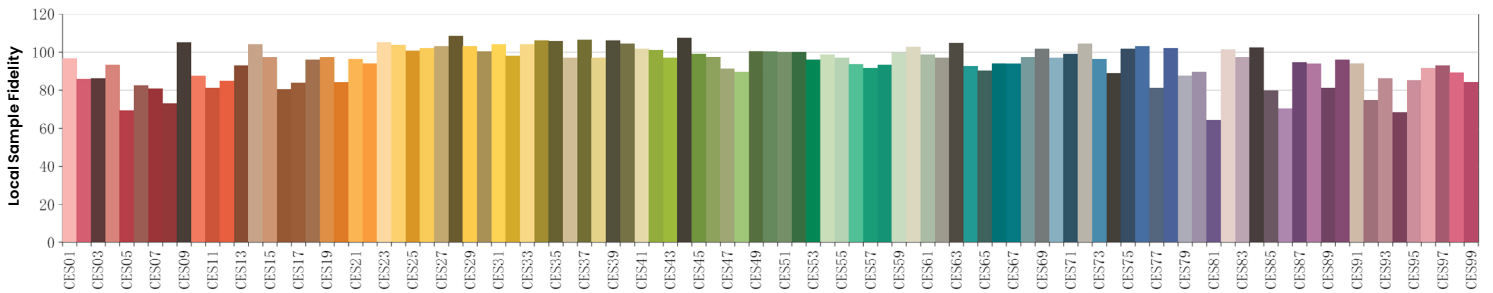
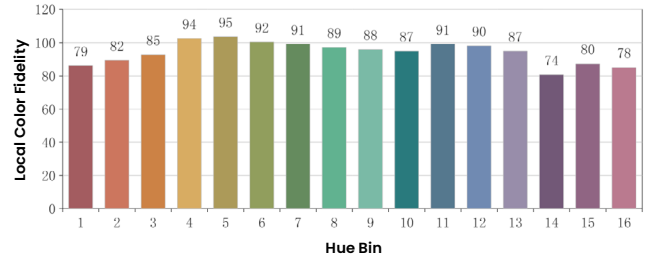
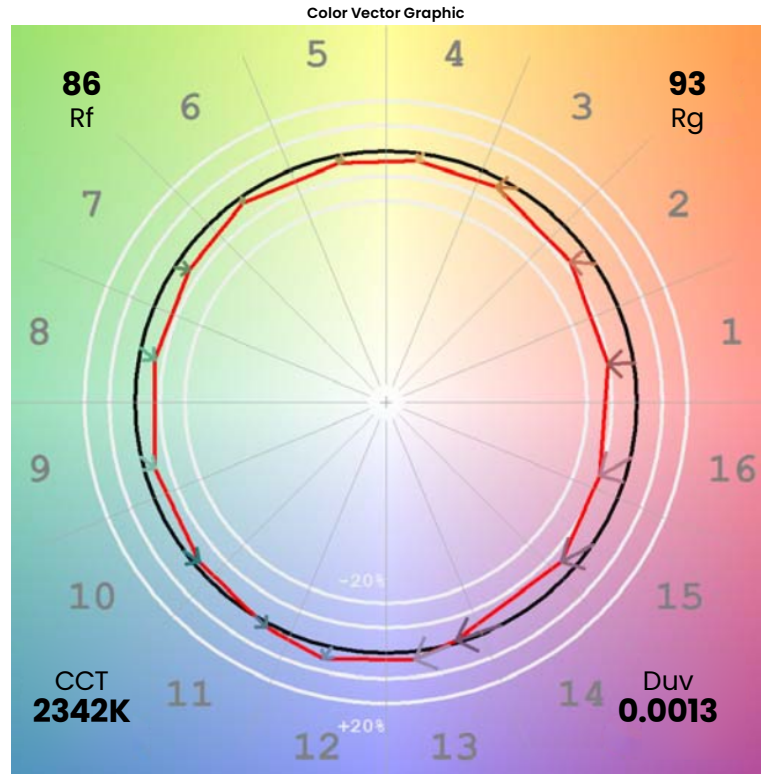
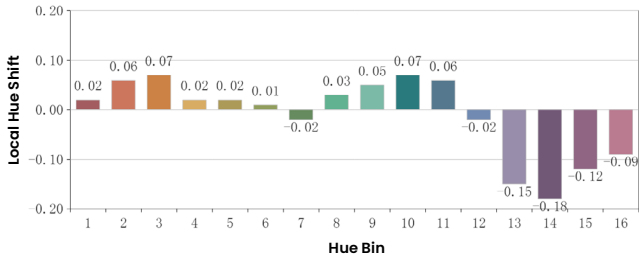
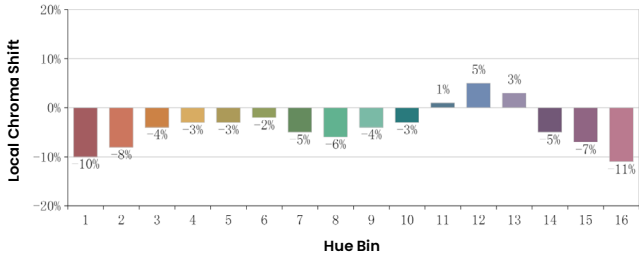
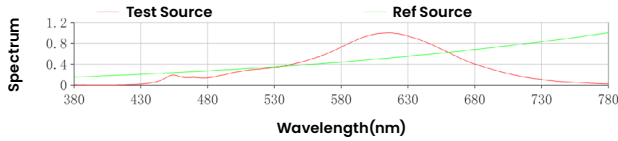
*The Wick Resistant Wire Ferrule is built into the lead wire, 4.5" (115mm) from the BL Neonview Termination Connection, for additional moisture ingress protection. Removal of the Wick Resistant Wire Ferrule may void your warranty.



Colorimetric Details (2200K LED)

CCT	CRI	Rf	Rg
2200K	85	86	93

Rf: 86 CCT: 2342K u': 0.2808
Rg: 93 Duv: 0.0013 v': 0.5357



*All results in accordance with ANSI C78.377 standard

