

Side V has a fully flexible Silicone encapsulated diffuser and is rated for a range of operating temperatures from -40° F to 131° F (-40° C to 55° C) for sustained ability to weather the elements, even in the most extreme environmental conditions. The unique vertical bending across the flat light surface is ideal for circular coves, contours and side-emitting light. The 120° beam angle delivers up to 290 lm/ft and provides uniform, dot-free illumination. Side V is ideal for building outlines, facades, signage and exterior architectural accents.

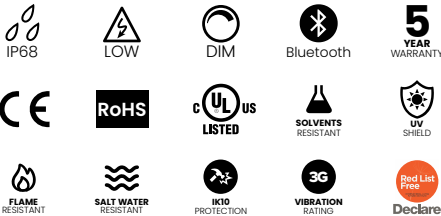
| | |
|--------------|--|
| CLIENT | |
| PROJECT NAME | |
| LOCATION | |
| DATE | |

Dot-free Seamless connections -40°F to 131°F (-40°C to 55°C)

Product Detail



| | | |
|----------------|---------------------------|--|
| Lighting | Lamp | LED, SMD 2835 |
| | LED's Per Foot | 38 LEDs/ft (126 LEDs/m) |
| | Beam Angle | 120° |
| | Average Life | 50,000 Hours |
| Electrical | Controls | 0-10V, MLV, ELV, Phase-Cut, Triac, DMX, Bluetooth |
| | Input Voltage | 24VDC |
| | Max Input Current | 4.12A (White) |
| | Connections | 18AWG, Copper Conductors |
| | Power Cable Length | Standard 10ft (3m). Also available in 16ft (5m) and 32ft (10m) |
| Mechanical | Circuit | Class 2 |
| | Housing Construction | Injection Moulded White Silicone |
| | Minimum Bend Radius | 5.9" (150mm) |
| Environmental | Operating Temperature | -40°F to 131°F (-40°C to 55°C) |
| | Ingress Protection | IP68 |
| | Impact Protection | IK10 |
| | Vibration Rating | 3G |
| | Resistance | UV, Flame, Solvents and Saltwater Resistant |
| Certifications | cULus, CE, RoHS Compliant | |



Performance

| CCT/Color | | 2200K | 2700K | 3000K | 3500K | 4000K | 5700K | Red | Green | Blue | Amber | |
|-------------|--------------|-----------------|-----------|-----------|-----------|-----------|-----------|-------------------|-----------------|----------|-------------------|--|
| Power | W/FT (W/m) | 3.66 (12) | | | | | | 2.44 (8) | 3.66 (12) | | 2.44 (8) | |
| Lumens | lm/FT (lm/m) | 265 (870) | 274 (900) | 290 (950) | 290 (950) | 287 (940) | 287 (940) | 56 (185) | 168 (550) | 37 (120) | 56 (185) | |
| Efficacy | lm/W | 72 | 75 | 79 | 79 | 78 | 78 | 23 | 46 | 10 | 23 | |
| CRI | CRI | 80 | | | | | | - | | | | |
| Increment | inch (mm) | 2.19 (55.6) | | | | | | 3.28 (83.3) | 2.19 (55.6) | | 3.28 (83.3) | |
| Max. Length | ft (m) | 24ft 6in (7.5m) | | | | | | 35ft 11in (10.9m) | 24ft 6in (7.5m) | | 35ft 11in (10.9m) | |

Ordering

| Product Code | Series | CCT/Color | Input Voltage | IP Rating |
|--------------|--------|-----------|---------------|-----------|
| SV | N | | 24 | IP68 |
| | | 2200K | | |
| | | 2700K | | |
| | | 3000K | | |
| | | 3500K | | |
| | | 4000K | | |
| | | 5700K | | |
| | | Red | | |
| | | Green | | |
| | | Blue | | |
| | | Amber | | |

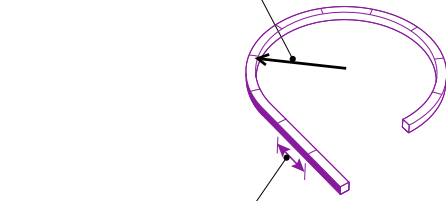
Note:
Lengths, Lead Orientations & Mounting Accessories for Neonview must be confirmed at time of order.



Minimum Bend Radius and Bend Orientation

Minimum Bend Radius

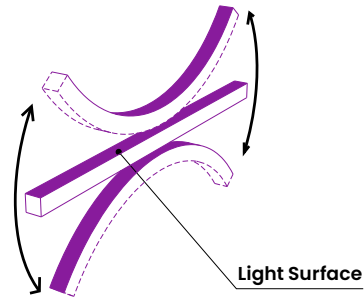
5.9" (150mm)



Cutting Increments

2.19" (55.6mm): White/Green/Blue

3.28" (83.3mm): Red/Amber

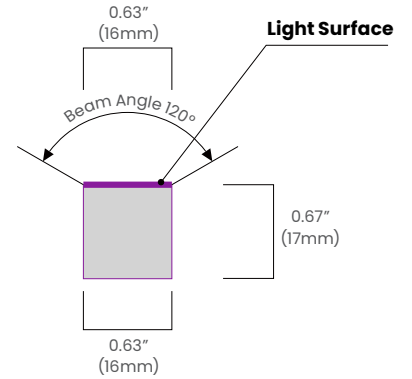


Light Surface

BL Neonview Side Series bends vertically

Horizontal bend option also available (HB Version)

Beam Angle & Viewing Angle

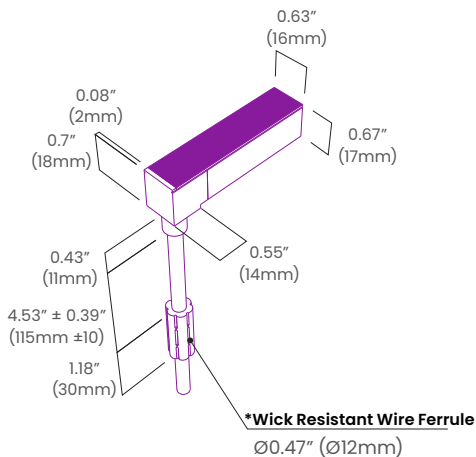


Average Beam Angle (50%): 113.2°

Dimensions & Lead Orientations

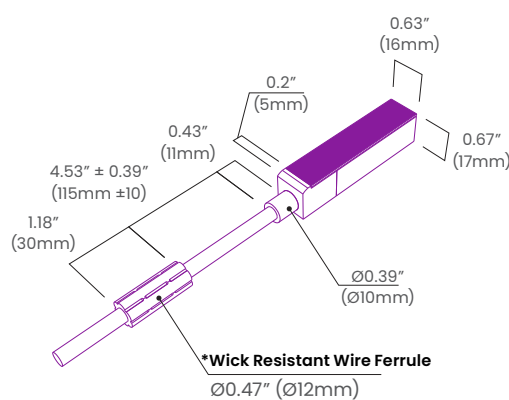
Back Lead

NVS SL BC 68

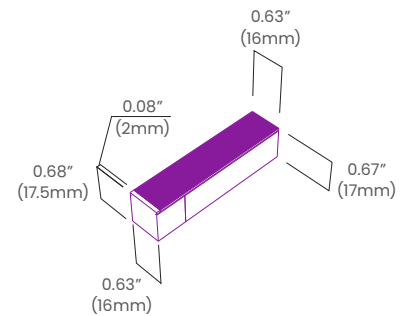


End Lead

NVS SL EC 68

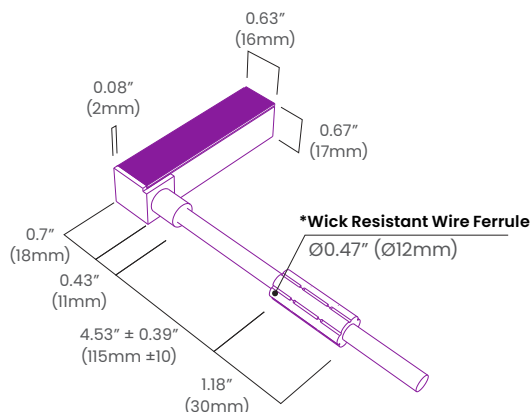


End Cap



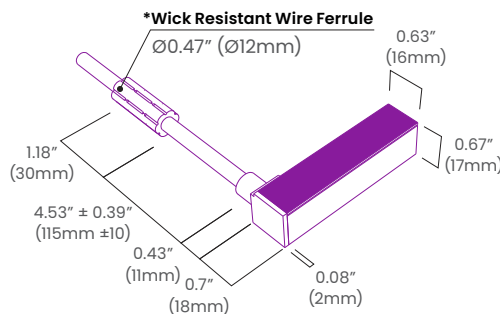
Right Side Lead

NVS SL RC 68



Left Side Lead

NVS SL LC 68



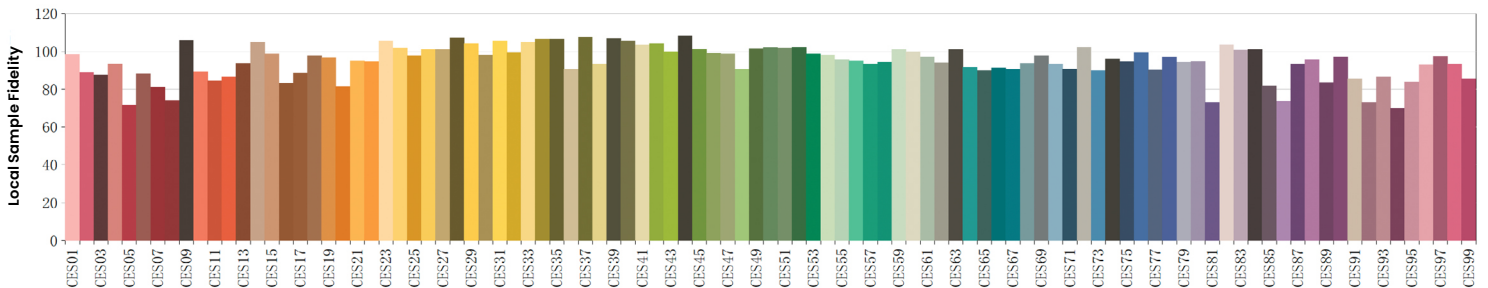
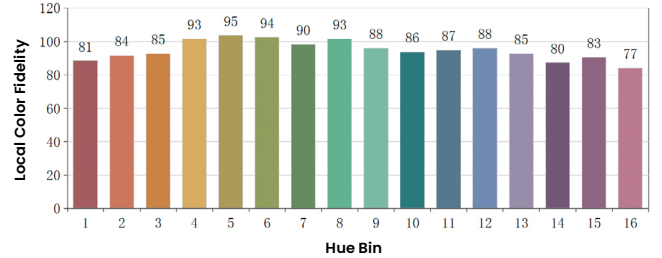
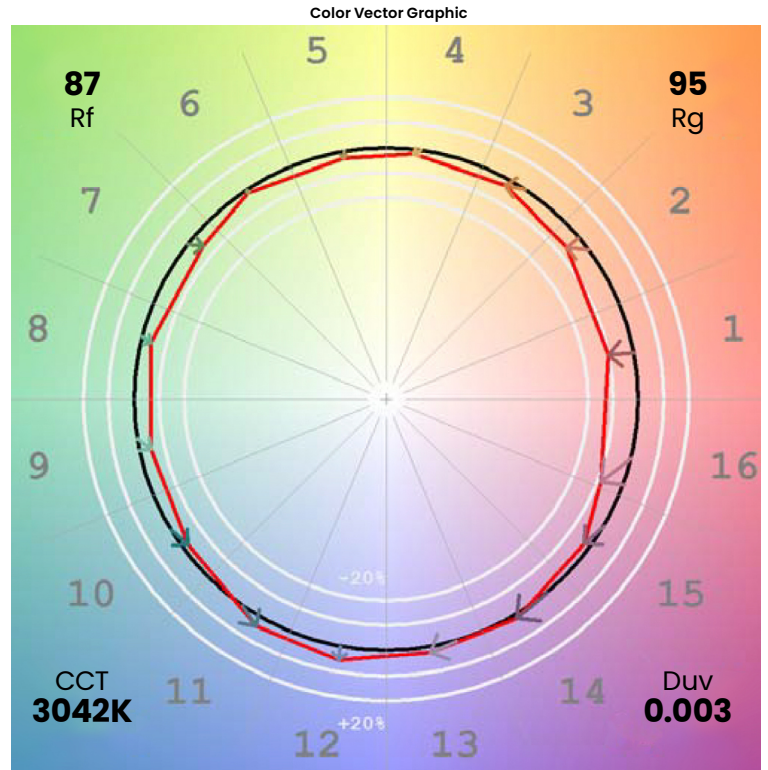
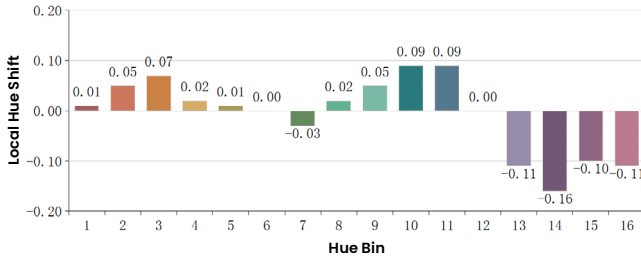
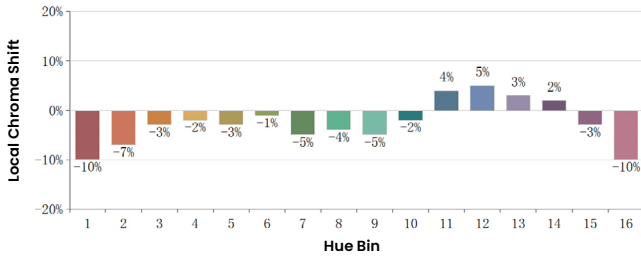
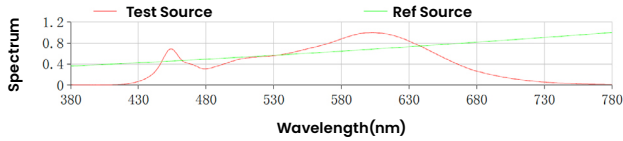
*The Wick Resistant Wire Ferrule is built into the lead wire, 4.5" (115mm) from the BL Neonview Termination Connection, for additional moisture ingress protection. Removal of the Wick Resistant Wire Ferrule may void your warranty.



Colorimetric Details

| CCT | CRI | Rf | Rg |
|-------|-----|----|----|
| 3000K | 85 | 87 | 95 |

Rf: 87 CCT: 3042K u': 0.2397
Rg: 95 Duv: 0.003 v': 0.5149



*All results in accordance with ANSI C78.377 standard

