

Side H Pixel ID

BL Neonview

Diffused, Flexible, Linear LED Lighting,
24VDC, Constant Voltage, Horizontal Bend,
Side Profile, Silicone, Color Chasing

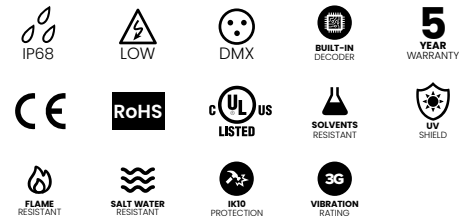


Side H Pixel ID is engineered with an internal DMX decoder, built-in to the LED luminaire, offering an innovative new solution to meet requirements for pixel chasing lighting projects with unique space and budget constraints. Intelligent and addressable, this digital pixel ic type LED linear luminaire integrates expressive motion, animation and chasing effects to create custom tailored and mesmerizing illuminated and interactive displays. The flexible flat shaped diffuser delivers up to 113 lm/ft. Silicone encapsulation and IP68 wet location rated injection molded connections ensure superior weatherability in any element.

CLIENT	
PROJECT NAME	
LOCATION	
DATE	

Dot-free | **Seamless connections** | **-40°F to 131°F (-40°C to 55°C)** | **Color Chasing**

Product Detail



Lighting	Lamp	LED, SMD 5050
	LED's Per Foot	26 LEDs/ft (84 LEDs/m)
	Beam Angle	120°
	Average Life	50,000 Hours
	Wavelength	Red (618-624nm), Green (522-528nm), Blue (468-474nm)
Electrical	Controls	DMX
	Input Voltage	24VDC
	Max Input Current	4.12A
	Connections	20AWG, Copper Conductors
	Power Cable Length	Standard 10ft (3m). Also available in 16ft (5m) and 32ft (10m)
Mechanical	Circuit	Class 2
	Housing Construction	Injection Moulded White Silicone
	Minimum Bend Radius	5.9" (150mm)
	Operating Temperature	-40°F to 131°F (-40°C to 55°C)
	Ingress Protection	IP68
Environmental	Impact Protection	IK10
	Vibration Rating	3G
	Resistance	UV, Flame, Solvents and Saltwater Resistant
	Certifications	cULus, CE, RoHS Compliant

Performance

CCT/Color		RGB	RGBW (2700K)	RGBW (3000K)	RGBW (4000K)
Power	W/FT (W/m)	2.75 (9)	3.66 (12)		
Lumens	lm/FT (lm/m)	73 (239)	113 (371)	113 (371)	113 (371)
Efficacy	lm/W	27	31	31	31
CRI	CRI	-	80 (white LED only)		
Increment	inch (mm)	6.57 (167)			
Max. Length	ft (m)	32ft (9.75m)	24ft 6in (7.5m)		

Ordering

Product Code	Series	Color	Input Voltage	IP Rating
SHPXID	N		24	IP68
		RGB		
		RGBW (2700K)		
		RGBW (3000K)		
		RGBW (4000K)		

Note:
Lengths, Lead Orientations & Mounting Accessories for Neonview must be confirmed at time of order.

BL LIGHTING
ILLUMINATE EVERYTHING

111 - 8838 Heather St. Vancouver, BC, Canada. V6P 3S8
P: 1-604-874-4405 E: info@bllighting.com
Copyright © BL INNOVATIVE LIGHTING. All Rights Reserved.

Solid State Lighting is sensitive to power fluctuations. Surge protection is highly recommended for all LED lighting products and should be on a dedicated circuit to protect against premature failure. Lack of surge protection may void your warranty.

Designed & Assembled in North America.

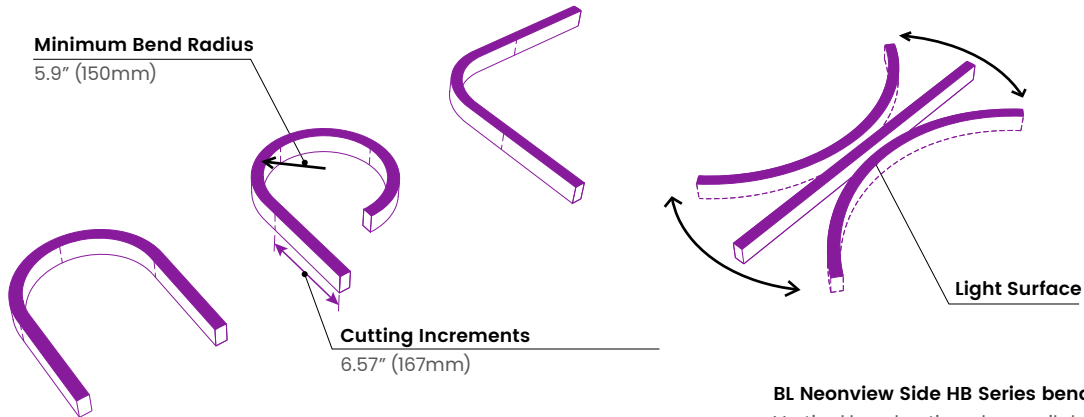
Specifications subject to change without notice. Please refer to our website at bllighting.com for current technical data.

For more information, please download the BL LIGHTING catalog

bllighting.com



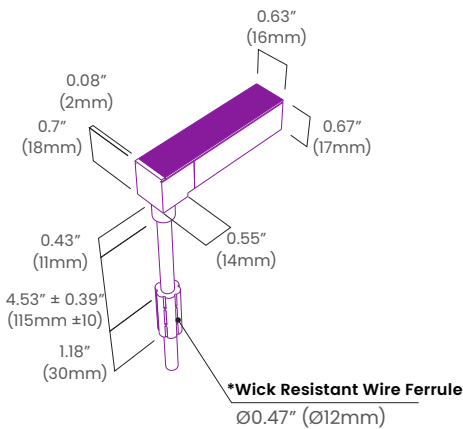
Minimum Bend Radius and Bend Orientation



Dimensions & Lead Orientations

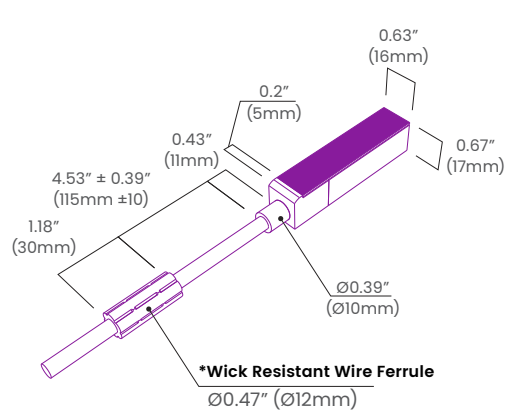
Back Lead

NVS IC SL BC 68

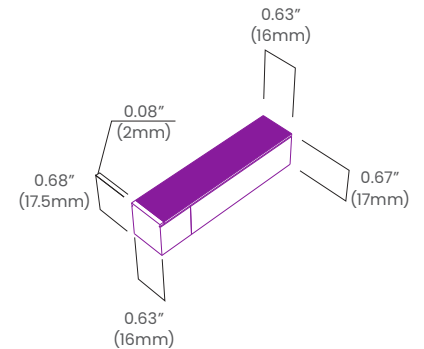


End Lead

NVS IC SL EC 68

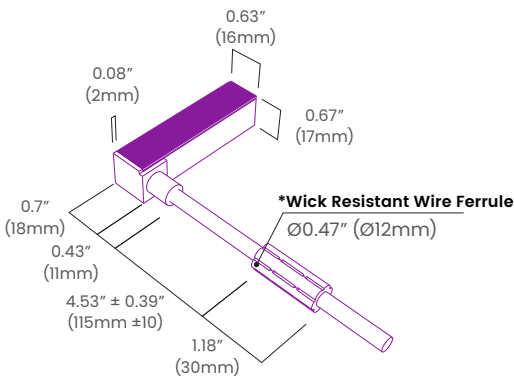


End Cap



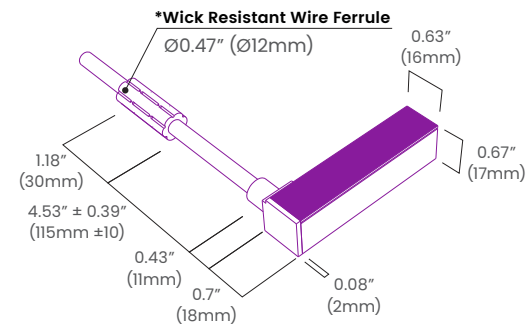
Right Side Lead

NVS IC SL RC 68



Left Side Lead

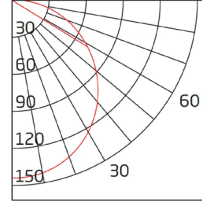
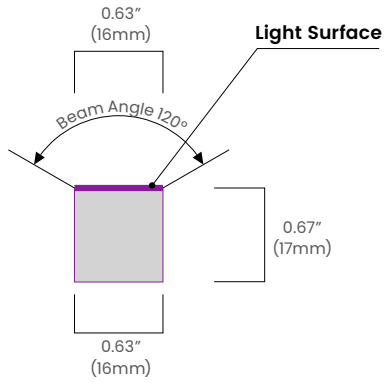
NVS IC SL LC 68



*The Wick Resistant Wire Ferrule is built into the lead wire, 4.5" (115mm) from the BL Neonview Termination Connection, for additional moisture ingress protection. Removal of the Wick Resistant Wire Ferrule may void your warranty.



Beam Angle



Unit: cd
— C90/270

Average Beam Angle (50%): 116.0°

