

# Side H DTW

BL Neonview

Diffused, Flexible, Linear LED Lighting,  
24VDC, Constant Voltage, Horizontal Bend,  
Side Profile, Silicone, Dim-to-Warm



Side H DTW replicates the natural, comfortable glow of incandescent dimming, with an efficient 1800K to 3000K CCT that warms when dimmed, has a standard fully flexible Silicone encapsulated diffuser, and is rated for a range of operating temperatures from -40° F to 131° F (-40° C to 55° C) for sustained ability to weather the elements, even in the most extreme environmental conditions.

CLIENT	
PROJECT NAME	
LOCATION	
DATE	

**Dot-free**   **Seamless connections**   **-40°F to 131°F (-40°C to 55°C)**   **DIM-TO-WARM**

## Product Detail



<b>Lighting</b>	Lamp	LED, SMD 3015
	LED's Per Foot	59 LEDs/ft (192 LEDs/m)
	Beam Angle	120°
	Average Life	50,000 Hours
<b>Electrical</b>	Controls	0-10V, MLV, ELV, Phase-Cut, Triac, DMX, Bluetooth
	Input Voltage	24VDC
	Max Input Current	4.12A
	Connections	18AWG, Copper Conductors
	Power Cable Length	Standard 10ft (3m). Also available in 16ft (5m) and 32ft (10m)
<b>Mechanical</b>	Circuit	Class 2
	Housing Construction	Injection Moulded White Silicone
	Minimum Bend Radius	5.9" (150mm)
	Operating Temperature	-40°F to 131°F (-40°C to 55°C)
<b>Environmental</b>	Ingress Protection	IP68
	Impact Protection	IK10
	Vibration Rating	3G
	Resistance	UV, Flame, Solvents and Saltwater Resistant
Certifications	cULus, CE, RoHS Compliant	



## Performance

CCT/Color		1800K	3000K	1800K + 3000K
Power	W/FT (W/m)	-	-	3.66 (12)
Dimming	%	5	100	-
Lumens	lm/FT (lm/m)	1 (3)	152(500)	-
Efficacy	lm/W	<1	42	-
CRI	CRI	80	90	80+
Increment	inch (mm)	2.46 (62.5)		
Max. Length	ft (m)	24ft 6in (7.5m)		

## Ordering

Product Code	Series	CCT	Input Voltage	IP Rating
SHDTW	N	1800K-3000K	24	IP68

**Note:**  
Lengths, Lead Orientations & Mounting Accessories for Neonview must be confirmed at time of order.

**BL LIGHTING**  
ILLUMINATE EVERYTHING

111 - 8838 Heather St. Vancouver, BC, Canada. V6P 3S8  
P: 1-804-874-4405 E: info@bllighting.com  
Copyright © BL INNOVATIVE LIGHTING. All Rights Reserved.

Solid State Lighting is sensitive to power fluctuations. Surge protection is highly recommended for all LED lighting products and should be on a dedicated circuit to protect against premature failure. Lack of surge protection may void your warranty.

Designed & Assembled in North America.

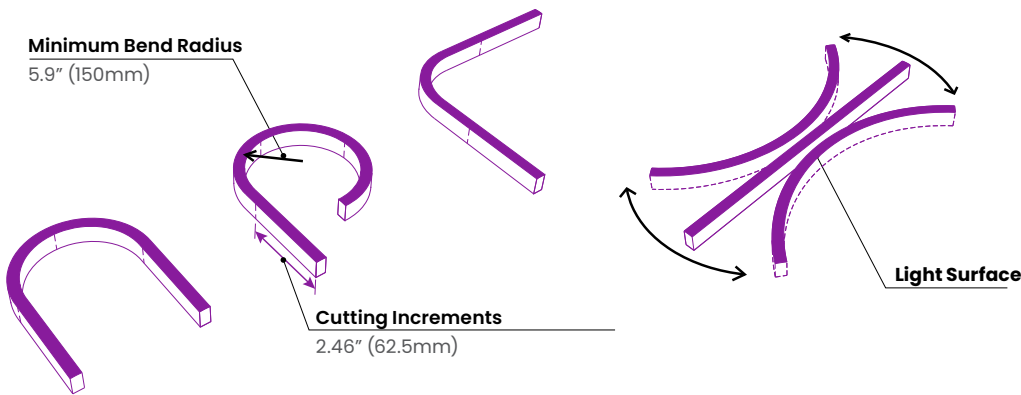
Specifications subject to change without notice. Please refer to our website at [bllighting.com](http://bllighting.com) for current technical data.

For more information, please download the BL LIGHTING catalog

[bllighting.com](http://bllighting.com)

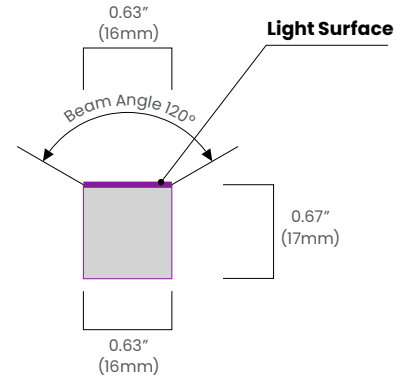


## Minimum Bend Radius and Bend Orientation



BL Neonview Side HB Series bends horizontally  
Vertical bend option also available

## Beam Angle & Viewing Angle

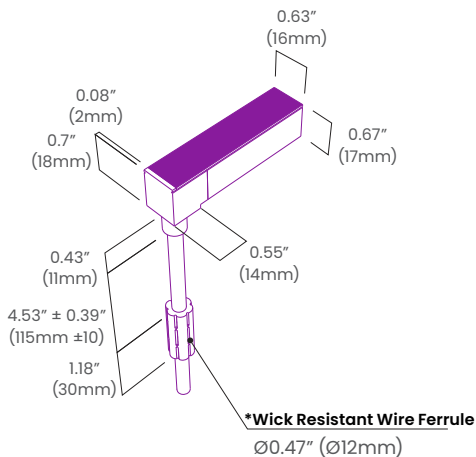


Average Beam Angle (50%): 112.8°

## Dimensions & Lead Orientations

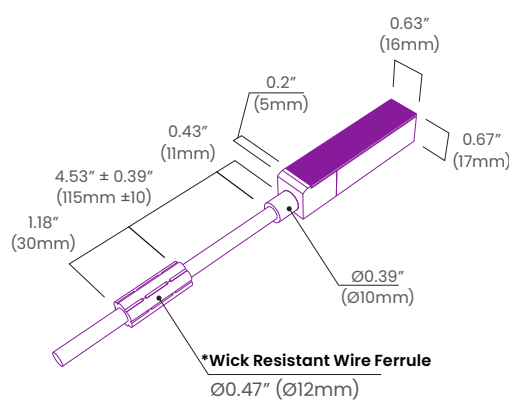
### Back Lead

NVS SL BC 68

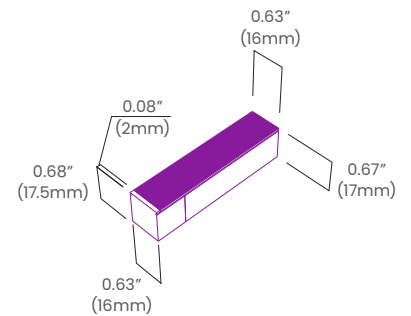


### End Lead

NVS SL EC 68

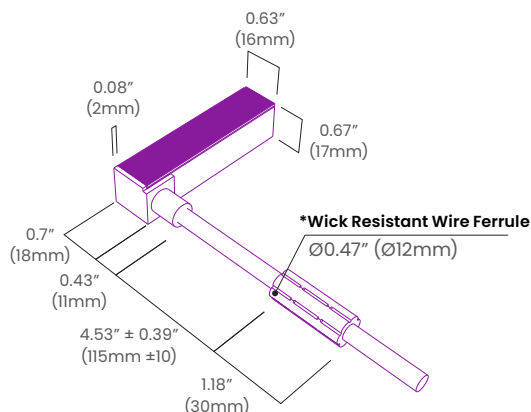


### End Cap



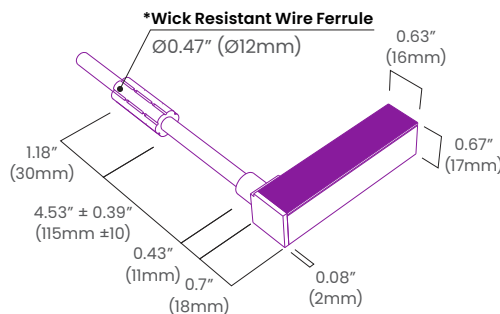
### Right Side Lead

NVS SL RC 68



### Left Side Lead

NVS SL LC 68



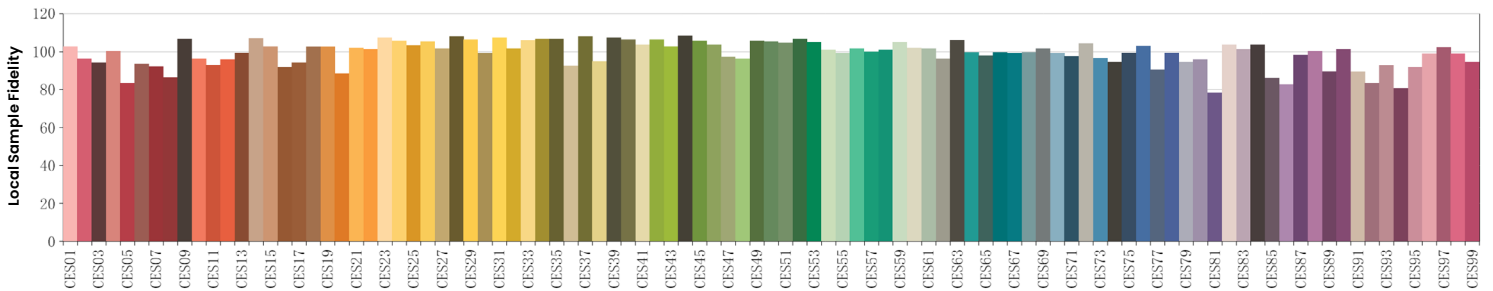
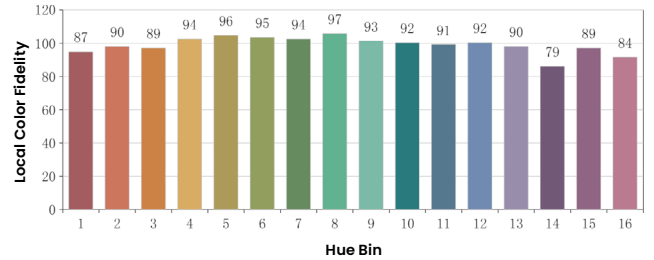
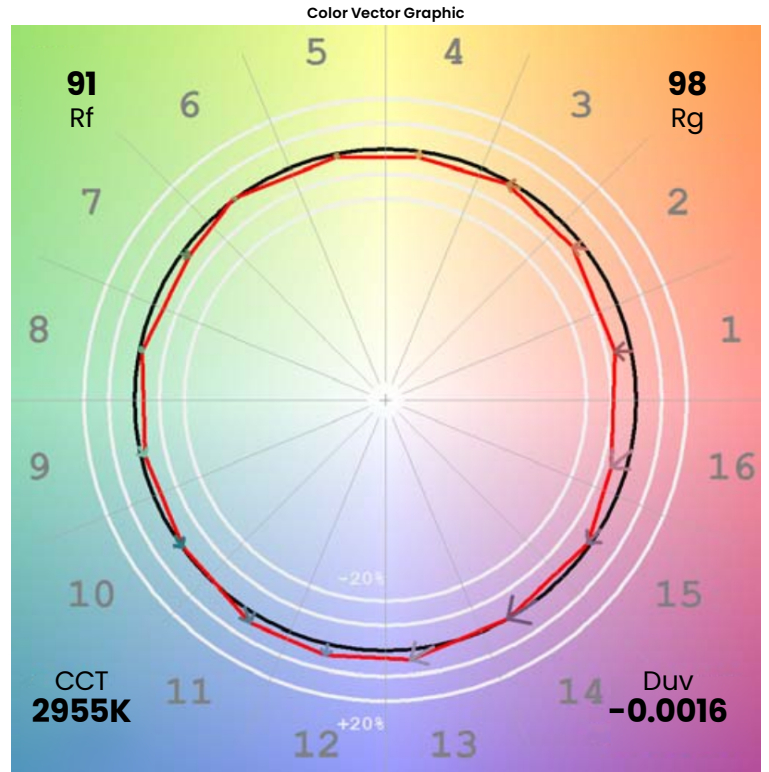
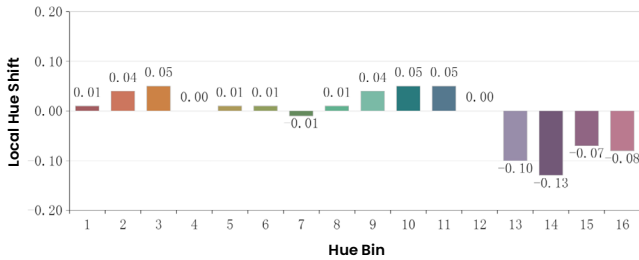
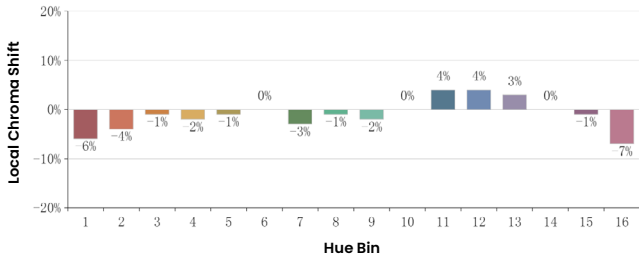
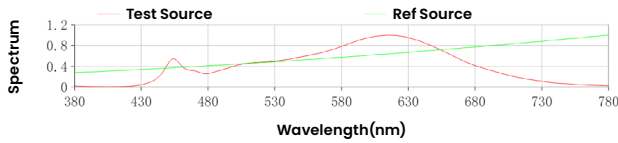
\*The Wick Resistant Wire Ferrule is built into the lead wire, 4.5" (115mm) from the BL Neonview Termination Connection, for additional moisture ingress protection. Removal of the Wick Resistant Wire Ferrule may void your warranty.



## Colorimetric Details (3000K LED)

CCT	CRI	Rf	Rg
3000K	92	91	98

Rf: 91      CCT: 2955K      u': 0.2528  
Rg: 98      Duv: -0.0016      v': 0.5200



\*All results in accordance with ANSI C78.377 standard

