

# Sauna Side V RGBW

BL Neonview

Diffused, Flexible, Linear LED Lighting,  
24VDC, Constant Voltage, Vertical Bend,  
Side Profile, Silicone, Color Changing, Sauna



Create seamless lines of light, up to 48ft in length, with marine-grade IP68 wet location rated injection molded terminations. With safe 24VDC operation, a low power draw of just 1.52 watts per foot, and superior resistance to humidity and heat up to 203°F (95°C), Sauna Side V RGBW is fully dimmable, long lasting, and ideal for providing calm, revitalizing lighting in spas, saunas, steam rooms and hot springs.

Dot-free Seamless connections -40°F to 203°F (-40°C to 95°C)

Color Changing Sauna Rated

CLIENT	
PROJECT NAME	
LOCATION	
DATE	

## Product Detail



Lighting	Lamp	LED, SMD 5050
	LED's Per Foot	26 LEDs/ft (84 LEDs/m)
	Beam Angle	120°
	Average Life	50,000 Hours
Electrical	Controls	DMX, Bluetooth
	Input Voltage	24VDC
	Max Input Current	4.12A
	Connections	20AWG, Copper Conductors
	Power Cable Length	Standard 10ft (3m). Also available in 16ft (5m) and 32ft (10m)
Mechanical	Circuit	Class 2
	Housing Construction	Injection Moulded White Silicone
	Minimum Bend Radius	5.9" (150mm)
Environmental	Operating Temperature	-40°F to 203°F (-40°C to 95°C)
	Ingress Protection	IP68
	Impact Protection	IK10
	Vibration Rating	3G
	Resistance	UV, Flame, Solvents and Saltwater Resistant
	Certifications	cULus, CE, RoHS Compliant



## Performance

CCT/Color		RGBW (2700K)	RGBW (3000K)	RGBW (4000K)
Power	W/FT (W/m)	1.52 (5)		
Lumens	lm/FT (lm/m)	74 (243)	74 (243)	74 (243)
Efficacy	lm/W	49	49	49
CRI	CRI	80 (white LED only)		
Increment	inch (mm)	3.28 (83.3)		
Max. Length	ft (m)	32ft 6in (10m)*		

\*48ft (14.6m) for non sauna applications.

## Ordering

Product Code	Series	Color	Input Voltage	IP Rating
SNSVC	N		24	IP68
		RGBW (2700K)		
		RGBW (3000K)		
		RGBW (4000K)		

**Note:**  
Lengths, Lead Orientations & Mounting Accessories for Neonview must be confirmed at time of order.

**BL LIGHTING**  
ILLUMINATE EVERYTHING

111 - 8838 Heather St. Vancouver, BC, Canada. V6P 3S8  
P: 1-804-874-4405 E: info@bllighting.com  
Copyright © BL INNOVATIVE LIGHTING. All Rights Reserved.

Solid State Lighting is sensitive to power fluctuations. Surge protection is highly recommended for all LED lighting products and should be on a dedicated circuit to protect against premature failure. Lack of surge protection may void your warranty.

Designed & Assembled in North America.

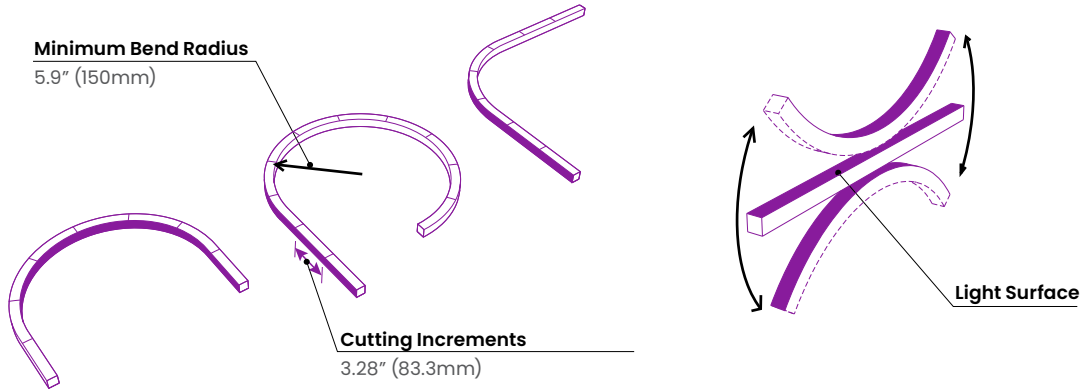
Specifications subject to change without notice. Please refer to our website at bllighting.com for current technical data.

For more information, please download the BL LIGHTING catalog

bllighting.com



## Minimum Bend Radius and Bend Orientation

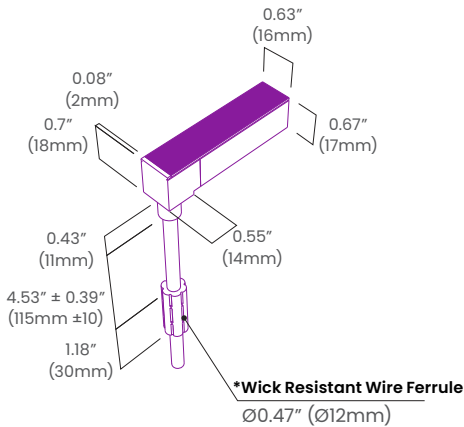


**BL Neonview Side Series bends vertically**  
Horizontal bend option also available (HB Version)

## Dimensions & Lead Orientations

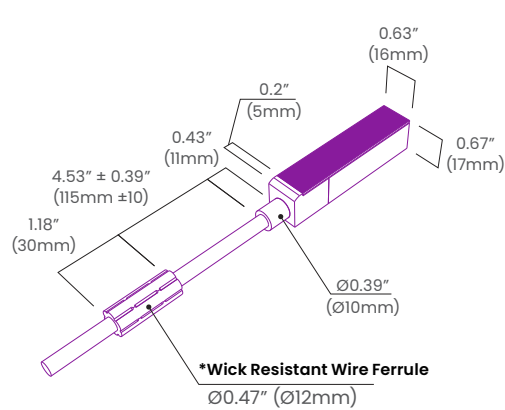
### Back Lead

#### NVS RGBW SL BC 68

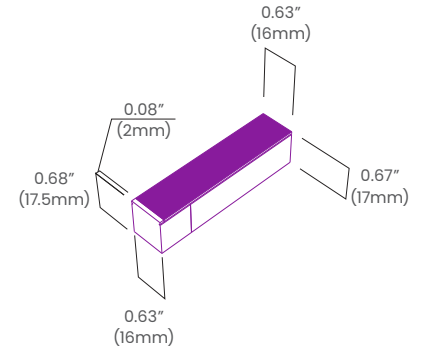


### End Lead

#### NVS RGBW SL EC 68

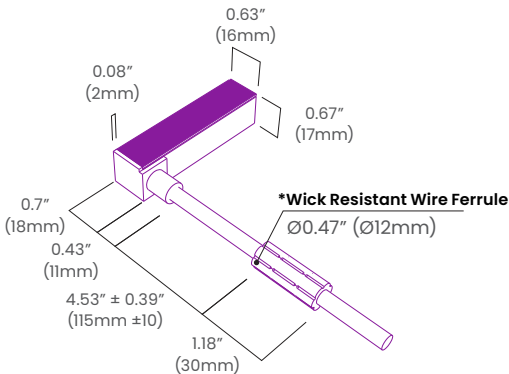


### End Cap



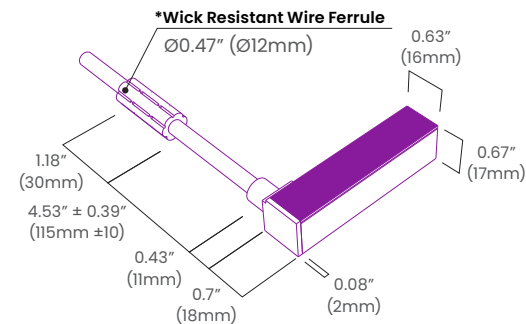
### Right Side Lead

#### NVS RGBW SL RC 68



### Left Side Lead

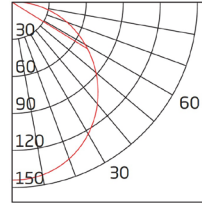
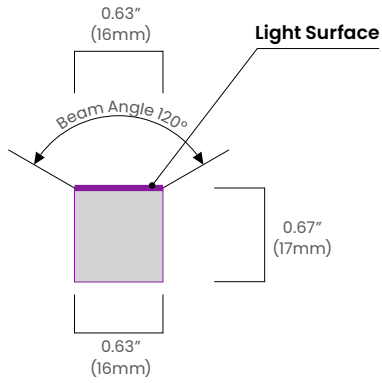
#### NVS RGBW SL LC 68



\*The Wick Resistant Wire Ferrule is built into the lead wire, 4.5" (115mm) from the BL Neonview Termination Connection, for additional moisture ingress protection. Removal of the Wick Resistant Wire Ferrule may void your warranty.



## Beam Angle



Unit: cd  
— C90/270

Average Beam Angle (50%): 113.7°

