

Sauna Side H RGBW

BL Neonview

Diffused, Flexible, Linear LED Lighting,
24VDC, Constant Voltage, Horizontal Bend,
Side Profile, Silicone, Color Changing, Sauna



Create seamless lines of light, up to 48ft in length, with marine-grade IP68 wet location rated injection molded terminations. With safe 24VDC operation, a low power draw of just 1.52 watts per foot, and superior resistance to humidity and heat up to 203°F (95°C), Sauna Side H RGBW is fully dimmable, long lasting, and ideal for providing calm, revitalizing lighting in spas, saunas, steam rooms and hot springs.

Dot-free Seamless connections -40°F to 203°F (-40°C to 95°C)

Color Changing Sauna Rated

| | |
|--------------|--|
| CLIENT | |
| PROJECT NAME | |
| LOCATION | |
| DATE | |

Product Detail



| | | |
|----------------|---------------------------|--|
| Lighting | Lamp | LED, SMD 5050 |
| | LED's Per Foot | 26 LEDs/ft (84 LEDs/m) |
| | Beam Angle | 120° |
| | Average Life | 50,000 Hours |
| Electrical | Controls | DMX, Bluetooth |
| | Input Voltage | 24VDC |
| | Max Input Current | 4.12A |
| | Connections | 20AWG, Copper Conductors |
| | Power Cable Length | Standard 10ft (3m). Also available in 16ft (5m) and 32ft (10m) |
| Mechanical | Circuit | Class 2 |
| | Housing Construction | Injection Moulded White Silicone |
| | Minimum Bend Radius | 5.9" (150mm) |
| | Operating Temperature | -40°F to 203°F (-40°C to 95°C) |
| Environmental | Ingress Protection | IP68 |
| | Impact Protection | IK10 |
| | Vibration Rating | 3G |
| | Resistance | UV, Flame, Solvents and Saltwater Resistant |
| Certifications | cULus, CE, RoHS Compliant | |



Performance

| CCT/Color | | RGBW (2700K) | RGBW (3000K) | RGBW (4000K) |
|-------------|--------------|---------------------|--------------|--------------|
| Power | W/FT (W/m) | 1.52 (5) | | |
| Lumens | lm/FT (lm/m) | 74 (243) | 74 (243) | 74 (243) |
| Efficacy | lm/W | 49 | 49 | 49 |
| CRI | CRI | 80 (white LED only) | | |
| Increment | inch (mm) | 3.28 (83.3) | | |
| Max. Length | ft (m) | 32ft 6in (10m)* | | |

*48ft (14.6m) for non sauna applications.

Ordering

| Product Code | Series | Color | Input Voltage | IP Rating |
|--------------|--------|--------------|---------------|-----------|
| SNSHC | N | | 24 | IP68 |
| | | RGBW (2700K) | | |
| | | RGBW (3000K) | | |
| | | RGBW (4000K) | | |

Note:

Lengths, Lead Orientations & Mounting Accessories for Neonview must be confirmed at time of order.

BL LIGHTING
ILLUMINATE EVERYTHING

111 - 8838 Heather St. Vancouver, BC, Canada. V6P 3S8
P: 1-804-874-4405 E: info@bllighting.com
Copyright © BL INNOVATIVE LIGHTING. All Rights Reserved.

Solid State Lighting is sensitive to power fluctuations. Surge protection is highly recommended for all LED lighting products and should be on a dedicated circuit to protect against premature failure. Lack of surge protection may void your warranty.

Designed & Assembled in North America.

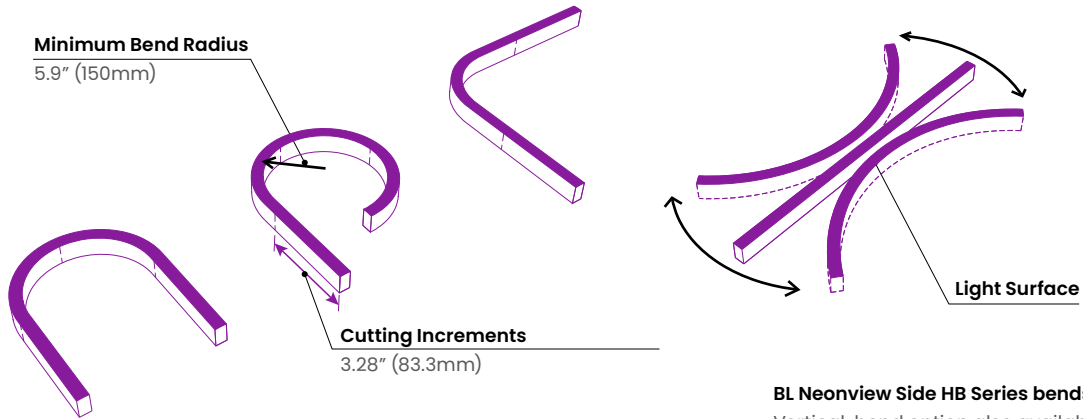
Specifications subject to change without notice. Please refer to our website at bllighting.com for current technical data.

For more information, please download the BL LIGHTING catalog

bllighting.com



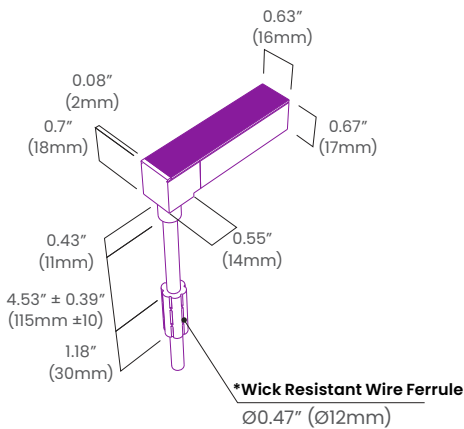
Minimum Bend Radius and Bend Orientation



Dimensions & Lead Orientations

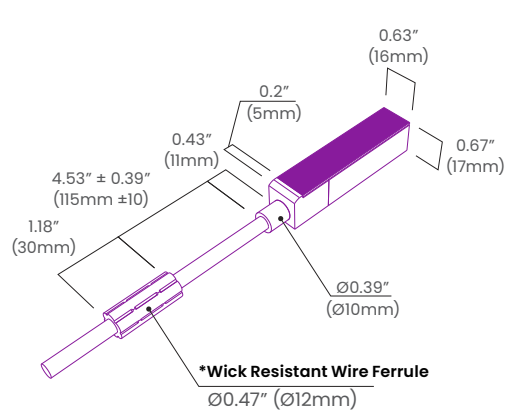
Back Lead

NVS RGBW SL BC 68

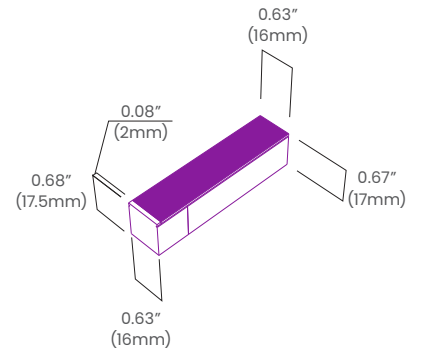


End Lead

NVS RGBW SL EC 68

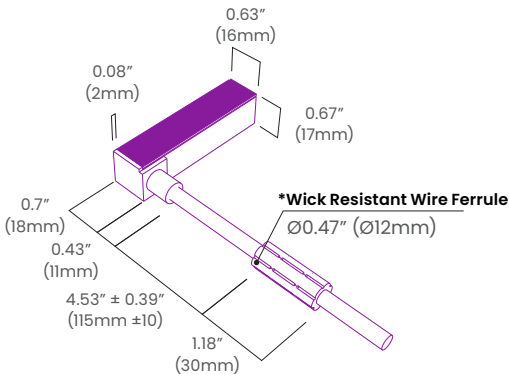


End Cap



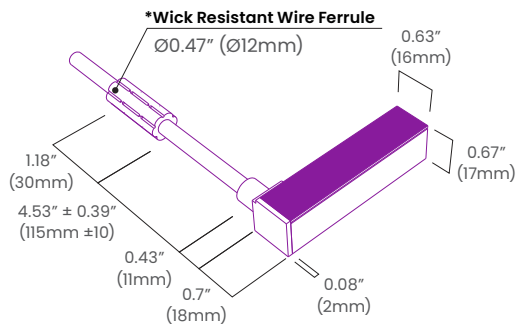
Right Side Lead

NVS RGBW SL RC 68



Left Side Lead

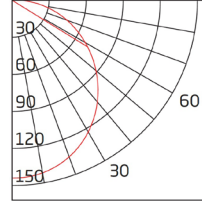
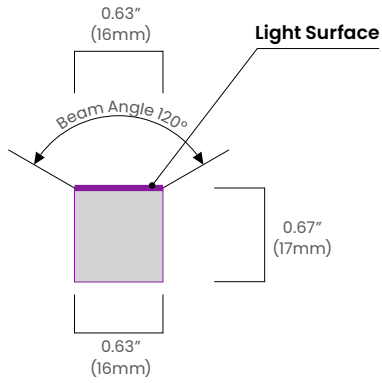
NVS RGBW SL LC 68



*The Wick Resistant Wire Ferrule is built into the lead wire, 4.5" (115mm) from the BL Neonview Termination Connection, for additional moisture ingress protection. Removal of the Wick Resistant Wire Ferrule may void your warranty.



Beam Angle



Unit: cd
— C90/270

Average Beam Angle (50%): 113.7°

