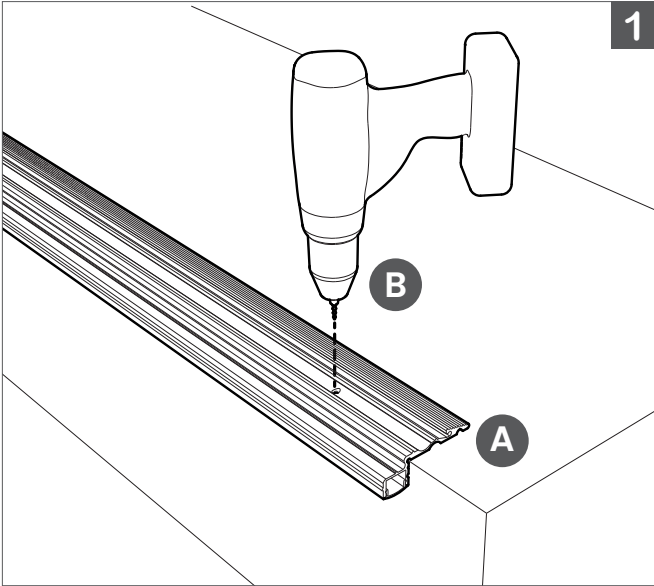




Please note that these instructions are guidelines only and in no way supersede any construction or installation standards. Local building and electrical codes should be consulted before installation.

ATTENTION

- There is potential danger of electrical shock when operating electrical components.
- Make sure power is turned off before installation.
- Allow for heat dissipation and adequate ventilation.

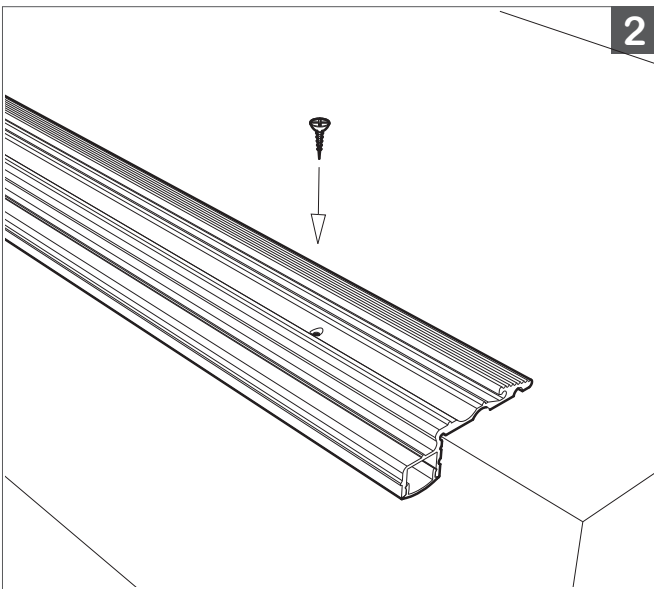


1.

- A. Place the bottom extrusion track on to the step.
- B. Drill mounting holes into the track.

TIP: It is recommended to place a mounting hole near the edges of the extrusion.

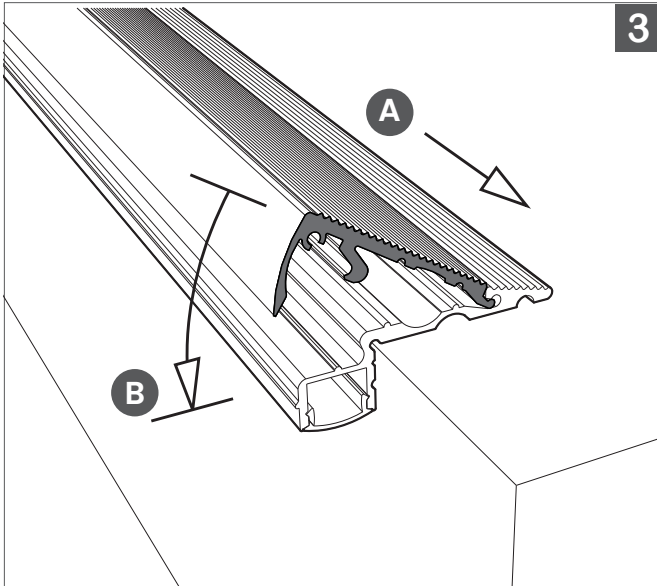
Mounting holes should be no more than 2ft apart.



2.

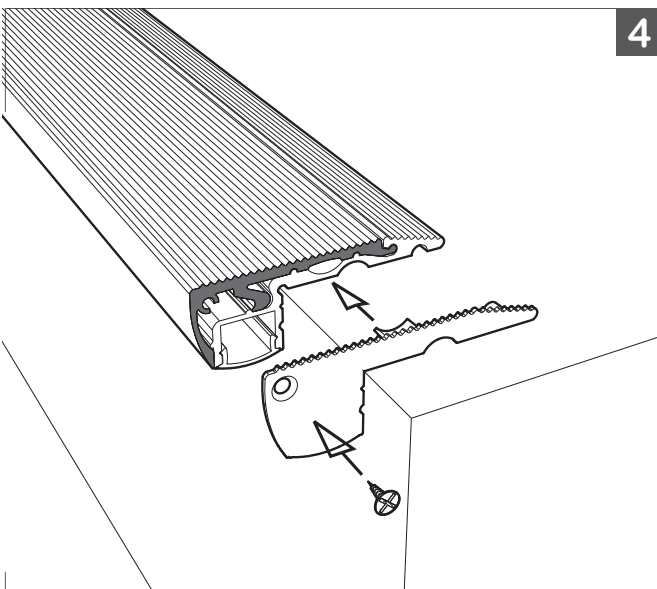
Utilize flush set screws to anchor extrusion to floor. Use an appropriate method of mounting the screws, depending on the material the step is made of (concrete, wood etc.).





3.

- A. Insert the edge of the top extrusion track into the matching groove of the bottom extrusion track.
- B. Apply downward pressure onto the top extrusion track until it snaps into the bottom extrusion track.



4.

- A. Feed the power leads through the designated hole on the end cap.
- B. Insert and fasten the end caps to the top extrusion track with screws.

