



Please note that these instructions are guidelines only and in no way supersede any construction or installation standards. Local building and electrical codes should be consulted before installation.

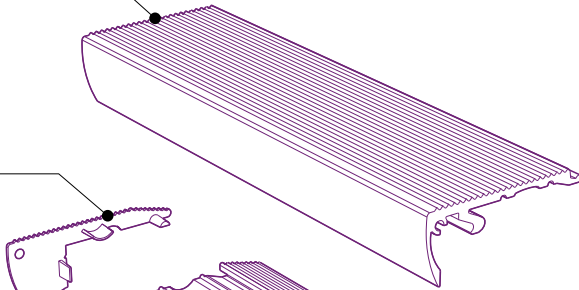
### ATTENTION

- There is potential danger of electrical shock when operating electrical components.
- Make sure power is turned off before installation.
- Allow for heat dissipation and adequate ventilation.

## COMPONENTS

Step Extrusion

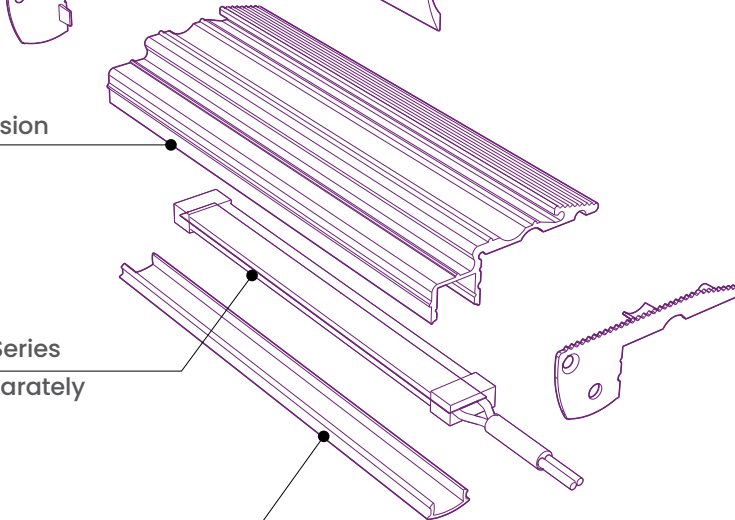
Top



End Cap

Step Extrusion

Bottom

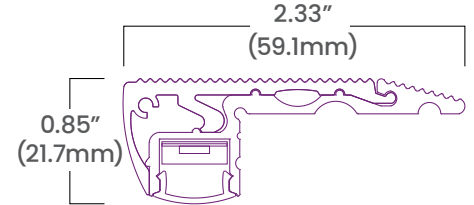


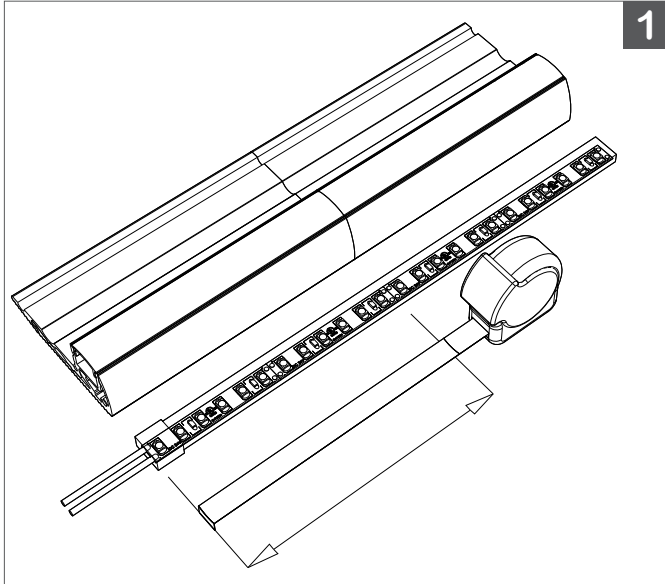
Flexform Series

Order Separately

Lens

Polycarbonate Optic  
(75% Trans.)



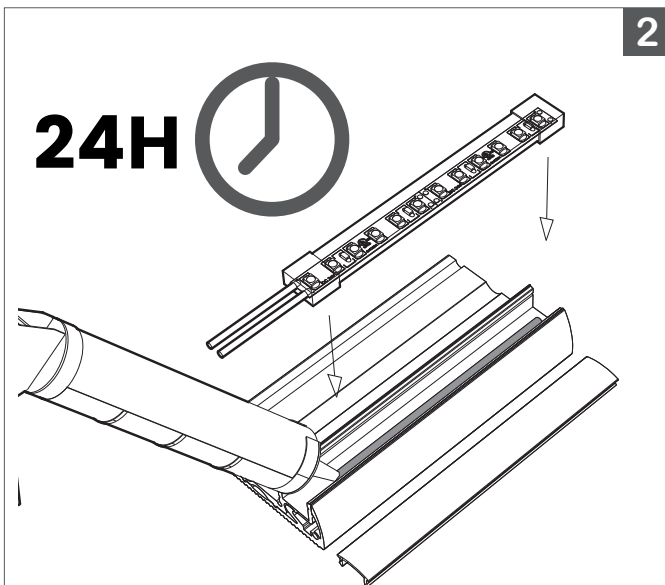


1.

- A. Measure **ST5921** in parallel with **BL Flexform Series** to guarantee accurate coupling of components.
- B. Cut **BL Fixform Step Light**.

**TIP:** Cut **ST5921** lens and bottom extrusion simultaneously.

Cut top extrusion separately.



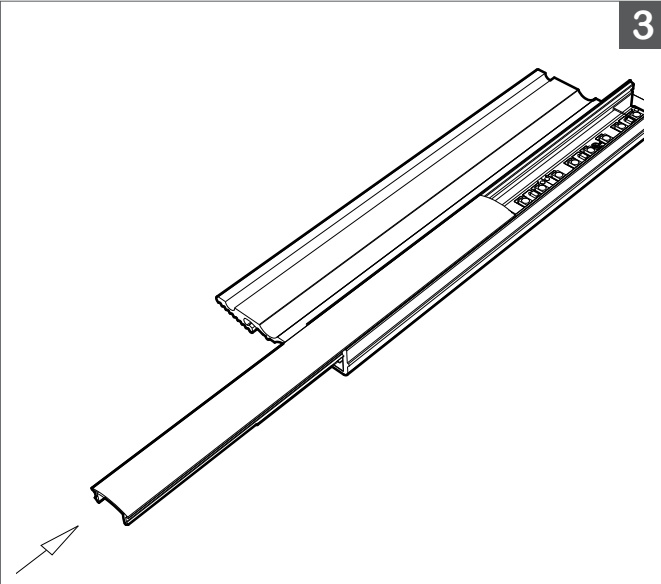
2.

- A. Evenly bead adhesive along surface of **ST5921** bottom extrusion track.
- B. Mount **ST5921** into bottom extrusion track.

**IMPORTANT:** Ensure surface is clean and dry before applying adhesive.

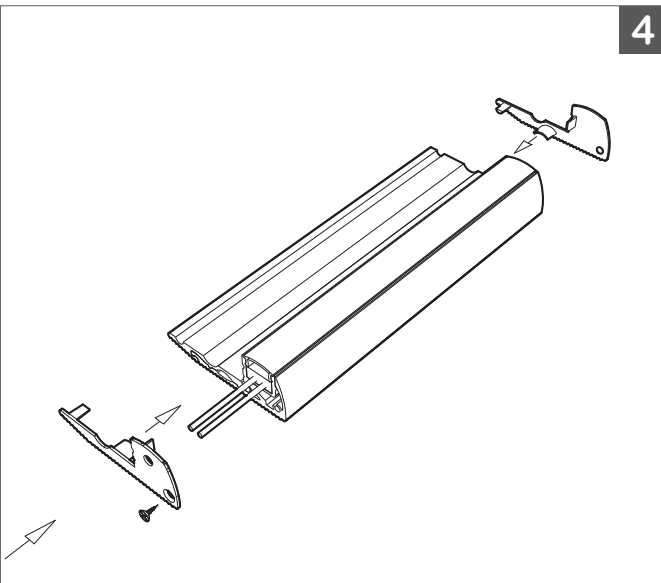
Allow adhesive to cure for 24 hours before installation.





3.

Insert the lens into the bottom extrusion.



4.

A. Feed **BL Flexform Series** power lead through designated hole on **ST521** end cap.

B. Fasten the caps onto bottom extrusion with screws.

