

# SS1616

BL Fixform

Indoor Surface Mount Aluminium Extrusion  
Designed for use with BL Flexform Series



SS1616 is ideal for surface corner mount LED lighting projects, with a unique curved lens optic. BL Fixform LED fits nicely inside the extrusion, seated at a 45° angle, providing even beam distribution, and dot free illumination along the lens. The standard 8ft lengths are field cuttable, and easy to install with included surface mounting clips.

Quick Ship

45° Angle

CLIENT	
PROJECT NAME	
LOCATION	
DATE	

## Product Detail



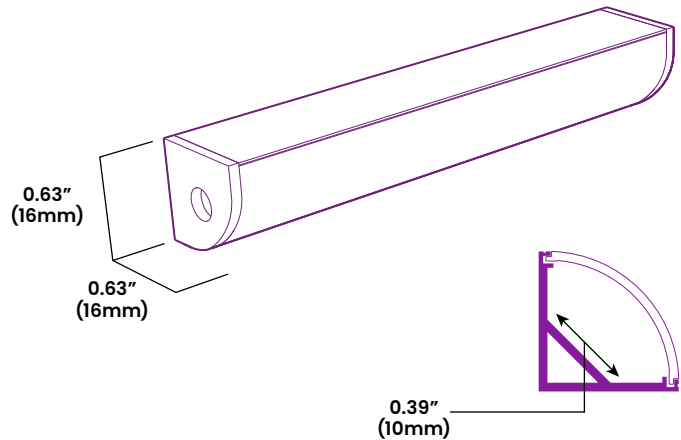
<b>Mechanical</b>	Housing Construction	Aluminum Enclosure Polycarbonate Optic (75% Trans.) Plastic End Caps
	Stock Length	8ft (2.44m)
	Minimum Cut Length	Based on BL Flexform Increments
<b>Components</b>	CH-SS1616-E	Aluminum Base Track
	LE-SS1616-E	Polycarbonate Optic
	EC-SS1616-E	Plastic End Cap
	CP-SS1616-E	Plastic Surface Mounting Clips
<b>Environmental</b>	Ingress Protection	IP20
	Certifications	cULus



## Ordering

Product Code
SS1616-E-AL-FR-IP20

## Dimensions



Custom channel colors are available, please consult BL Lighting for more information.

### BL LIGHTING ILLUMINATE EVERYTHING

111 - 8838 Heather St. Vancouver, BC, Canada. V6P 3S8  
P: 1-804-874-4405 E: info@bllighting.com  
Copyright © BL INNOVATIVE LIGHTING. All Rights Reserved.

Solid State Lighting is sensitive to power fluctuations. Surge protection is highly recommended for all LED lighting products and should be on a dedicated circuit to protect against premature failure. Lack of surge protection may void your warranty.

Designed & Assembled in North America.

Specifications subject to change without notice. Please refer to our website at bllighting.com for current technical data.

For more information, please download the BL LIGHTING catalog

bllighting.com

