



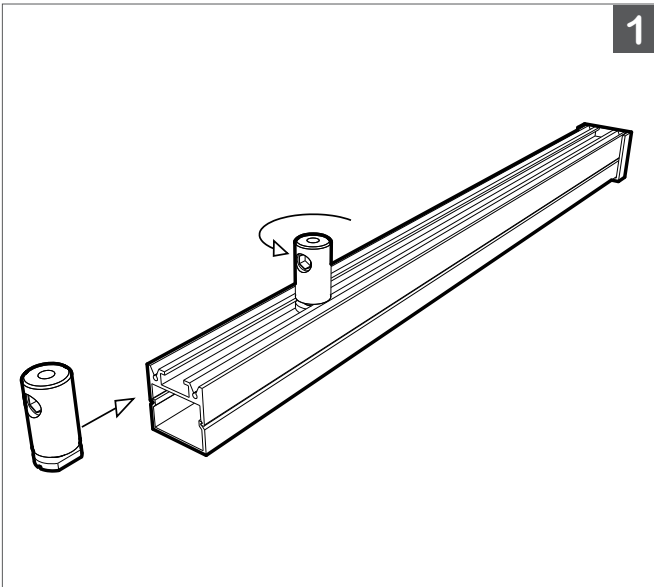
Please note that these instructions are guidelines only and in no way supersede any construction or installation standards. Local building and electrical codes should be consulted before installation.

**ATTENTION**

- There is potential danger of electrical shock when operating electrical components.
- Make sure power is turned off before installation.
- Allow for heat dissipation and adequate ventilation.

**SUSPENSION KIT**

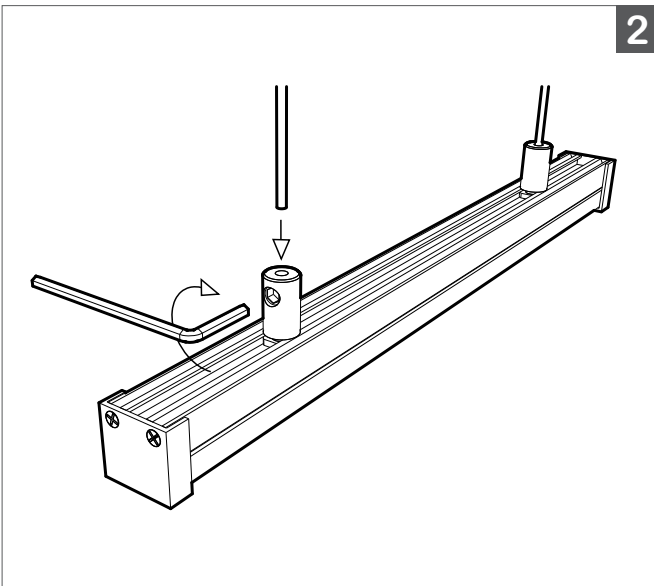
1



1.

- A. Align the hanger component with the groove in the back of the base track, and insert it.
- B. Twist and tighten the hanger when correctly positioned along the base track.

2



2.

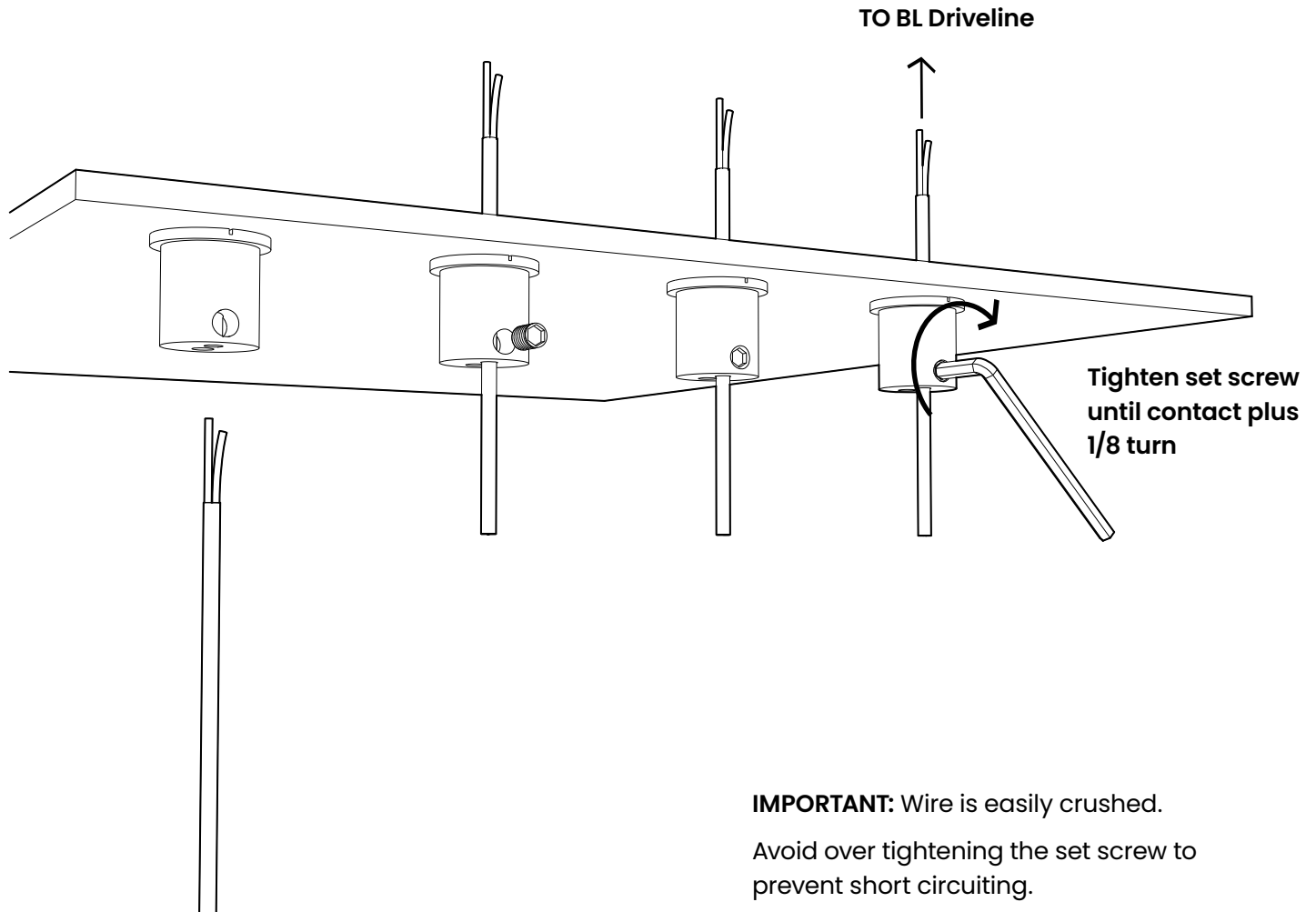
- A. Insert the suspension cable into the top of the hanger.
- B. Tighten grip on the suspension by turning the hex bolt, on the side of the hanger, clock-wise.

**TIP:** A minimum of two hangers per section is recommended for a secure hold.

**IMPORTANT:** Avoid over tightening the hex bolt to prevent short circuiting. Only tighten set screw until contact with wire plus 1/8 turn.



SUSPENSION KIT



**IMPORTANT:** Wire is easily crushed.

Avoid over tightening the set screw to prevent short circuiting.

Only tighten set screw until contact with wire plus 1/8 turn.

