

SN1008

BL Fixform

Indoor Surface Mount Aluminium Extrusion
Designed for use with **BL Flexform** Series



SN1008 is designed exclusively to house the for the slim and powerful BL Flexform N Series LED, this ultra-thin and light profile is slender and narrow enough to fit into the tightest spaces at a mere 26/64" (9.92mm) wide and just 21/64" (8.35mm) high. The shatter-resistant narrow polycarbonate diffuser lens renders a beautifully sleek, bright line of dot-free lighting and is a perfect choice for narrow surface applications where homogenous lighting is desired.

Quick Ship

CLIENT	
PROJECT NAME	
LOCATION	
DATE	

Product Detail



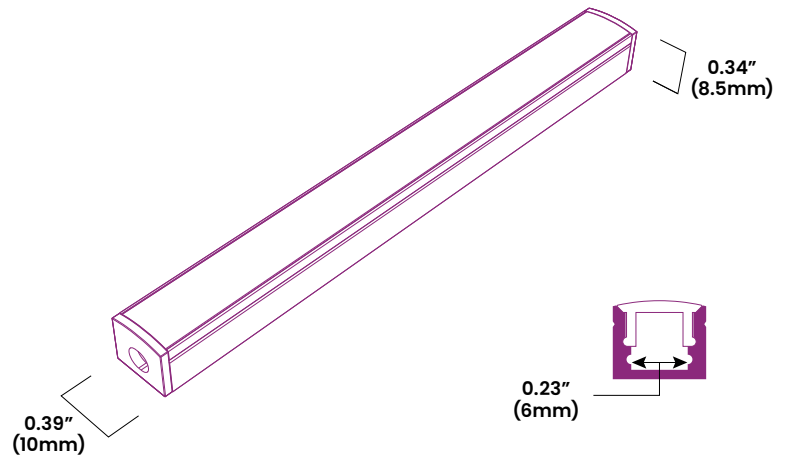
Mechanical	Housing Construction	Aluminum Enclosure Polycarbonate Optic (75% Trans.) Plastic Caps
	Stock Length	8ft (2.44m)
	Minimum Cut Length	Based on BL Flexform Increments
Components	CH-SN1008-E	Aluminum Base Track
	LE-SN1008-E	Polycarbonate Optic
	EC-SN1008-E	Plastic End Cap
	CP-SN1008-E	Plastic Mounting Clips
Environmental	Ingress Protection	IP20
	Certifications	cULus



Ordering

Product Code
SN1008-E-AL-FR-IP20

Dimensions



BL LIGHTING ILLUMINATE EVERYTHING

111 - 8838 Heather St. Vancouver, BC, Canada. V6P 3S8
P: 1-804-874-4405 E: info@bllighting.com
Copyright © BL INNOVATIVE LIGHTING. All Rights Reserved.

Solid State Lighting is sensitive to power fluctuations. Surge protection is highly recommended for all LED lighting products and should be on a dedicated circuit to protect against premature failure. Lack of surge protection may void your warranty.

Designed & Assembled in North America.

Specifications subject to change without notice. Please refer to our website at bllighting.com for current technical data.

For more information, please download the BL LIGHTING catalog

bllighting.com

