

S4930

BL Fixform

Indoor Surface Mount Aluminium Extrusion
Designed for use with **BL Flexform** Series



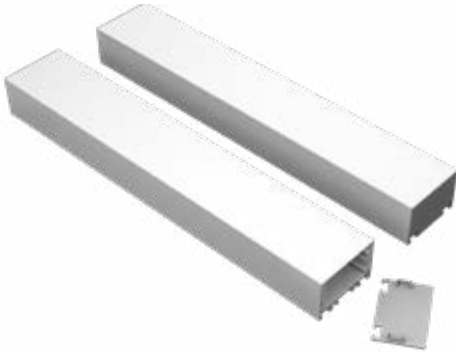
S4930 has a wide 1.96" (50mm) flat profile optic, allowing for creation of virtually infinite lines of cohesive light, in a variety of lumen packages. The standard 6ft lengths are field cuttable, and easy to install with included surface mounting clips.

Wide Profile

Quick Ship

CLIENT	
PROJECT NAME	
LOCATION	
DATE	

Product Detail

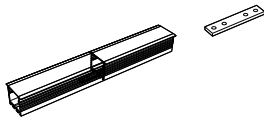


Mechanical	Housing Construction	Aluminium Enclosure Polycarbonate Optic (75% Trans.) Plastic End Caps Stainless Steel Screws
	Stock Length	6ft (1.83m)
	Minimum Cut Length	Based on BL Flexform Increments
Components	CH-S4930-E	Aluminium Base Track
	LE-S4930-E	Polycarbonate Optic
	EC-S4930-E	Plastic End Caps with Stainless Steel Screws
	CP-S4930-E	Steel Surface Mounting Clips
	TC180-E	Multi-Track Connector, Flat 180°
	TCX90-E	Multi-Track Connector, In/Out 90°
Environmental	Ingress Protection	IP20
	Certifications	cULus

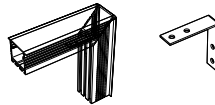


Connector Options

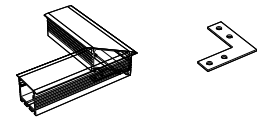
TC180-E
Multi-Track Connector, Flat 180°



TCX90-E
Multi-Track Connector, In/Out 90°



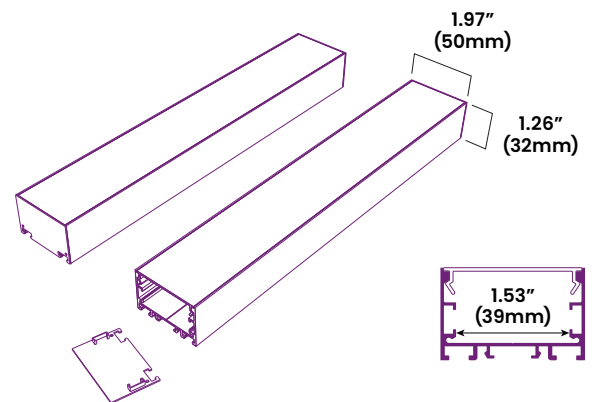
TCF90-E
Multi-Track Connector, Flat 90°



Ordering

Product Code
S4930-E-AL-FR-IP20

Dimensions



Custom channel colors are available, please consult BL Lighting for more information.

BL LIGHTING
ILLUMINATE EVERYTHING

111 - 8838 Heather St. Vancouver, BC, Canada. V6P 3S8
P: 1-804-874-4405 E: info@bllighting.com
Copyright © BL INNOVATIVE LIGHTING. All Rights Reserved.

Solid State Lighting is sensitive to power fluctuations. Surge protection is highly recommended for all LED lighting products and should be on a dedicated circuit to protect against premature failure. Lack of surge protection may void your warranty.

Designed & Assembled in North America.

Specifications subject to change without notice. Please refer to our website at bllighting.com for current technical data.

For more information, please download the BL LIGHTING catalog

bllighting.com

