

# S2222

BL Fixform

Indoor Surface Mount Aluminium Extrusion  
Designed for use with **BL Flexform** Series



S2222 has a 7/8" (22mm) square shaped, low profile optic, allowing for creation of virtually infinite lines of cohesive light, in a variety of lumen packages. The standard 6ft lengths are field cuttable, and easy to install with included surface mounting clips.

Quick Ship

|              |  |
|--------------|--|
| CLIENT       |  |
| PROJECT NAME |  |
| LOCATION     |  |
| DATE         |  |

## Product Detail

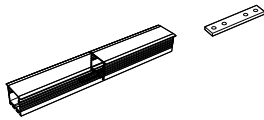


|                      |                      |  |
|----------------------|----------------------|--|
| <b>Mechanical</b>    | Housing Construction | Aluminium Enclosure<br>Polycarbonate Optic (75% Trans.)<br>Anodized End Caps<br>Stainless Steel Screws |
|                      | Stock Length         | 6ft (1.83m)  |
|                      | Minimum Cut Length   | Based on BL Flexform Increments  |
| <b>Components</b>    | CH-S2222-E           | Aluminium Base Track   |
|                      | LE-S2222-E           | Polycarbonate Optic  |
|                      | EC-S2222-E           | Anodized End Cap with Screws   |
|                      | CP-S2222-E           | Steel Surface Mounting Clips   |
|                      | TC180-E              | Multi-Track Connector, Flat 180°   |
| <b>Environmental</b> | TCX90-E              | Multi-Track Connector, In/Out 90°  |
|                      | TCF90-E              | Multi-Track Connector, Flat 90°  |
|                      | Ingress Protection   | IP20   |
|                      | Certifications       | cULus  |

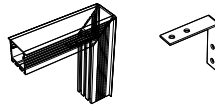


## Connector Options

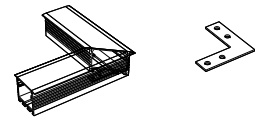
**TC180-E**  
Multi-Track Connector, Flat 180°



**TCX90-E**  
Multi-Track Connector, In/Out 90°



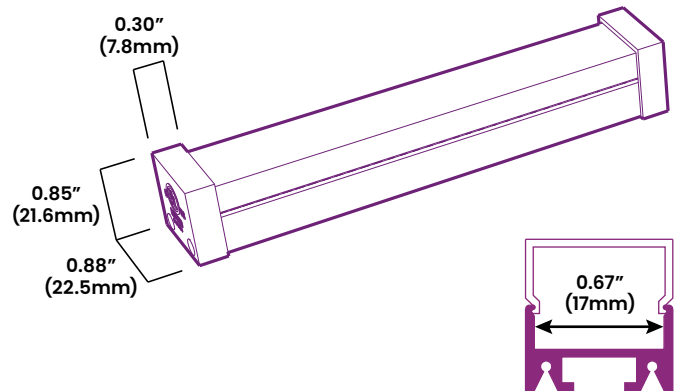
**TCF90-E**  
Multi-Track Connector, Flat 90°



## Ordering

|                    |
|--------------------|
| Product Code       |
| S2222-E-AL-FR-IP20 |

## Dimensions



Custom channel colors are available, please consult BL Lighting for more information.

**BL LIGHTING**  
ILLUMINATE EVERYTHING

111 - 8838 Heather St. Vancouver, BC, Canada. V6P 3S8  
P: 1-804-874-4405 E: info@bllighting.com  
Copyright © BL INNOVATIVE LIGHTING. All Rights Reserved.

Solid State Lighting is sensitive to power fluctuations. Surge protection is highly recommended for all LED lighting products and should be on a dedicated circuit to protect against premature failure. Lack of surge protection may void your warranty.

Designed & Assembled in North America.

Specifications subject to change without notice. Please refer to our website at bllighting.com for current technical data.

For more information, please download the BL LIGHTING catalog

bllighting.com

