

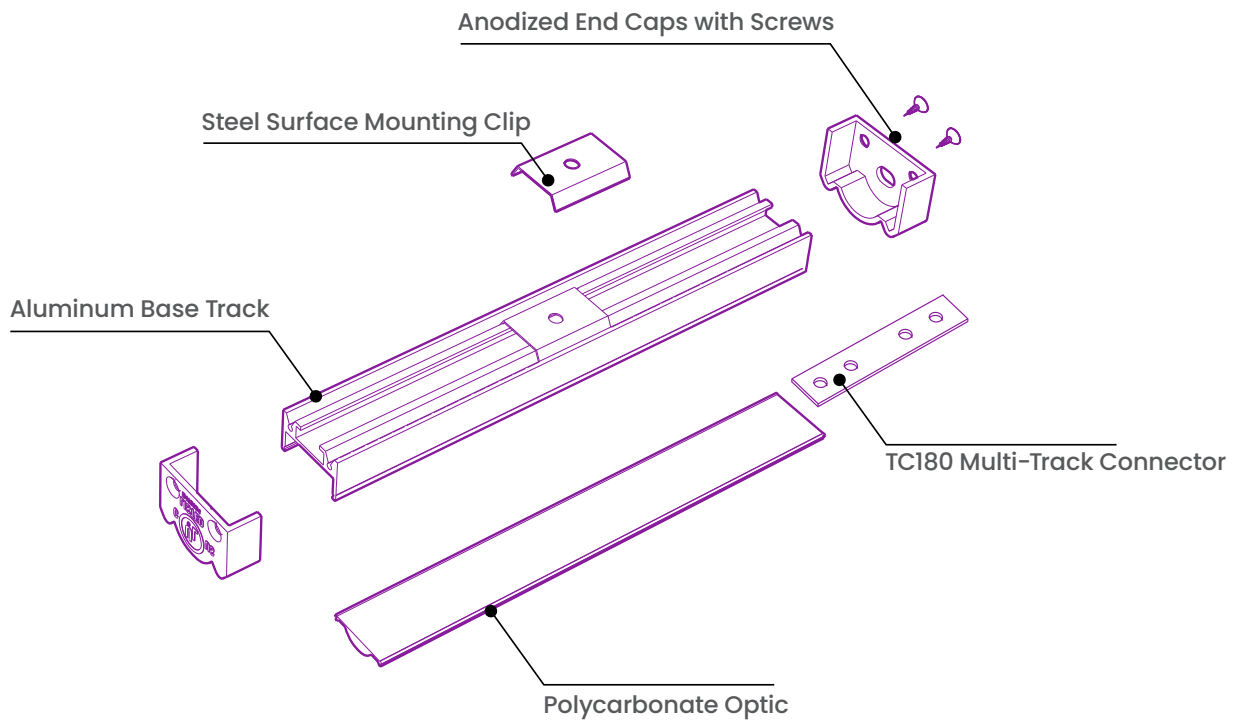


Please note that these instructions are guidelines only and in no way supersede any construction or installation standards. Local building and electrical codes should be consulted before installation.

ATTENTION

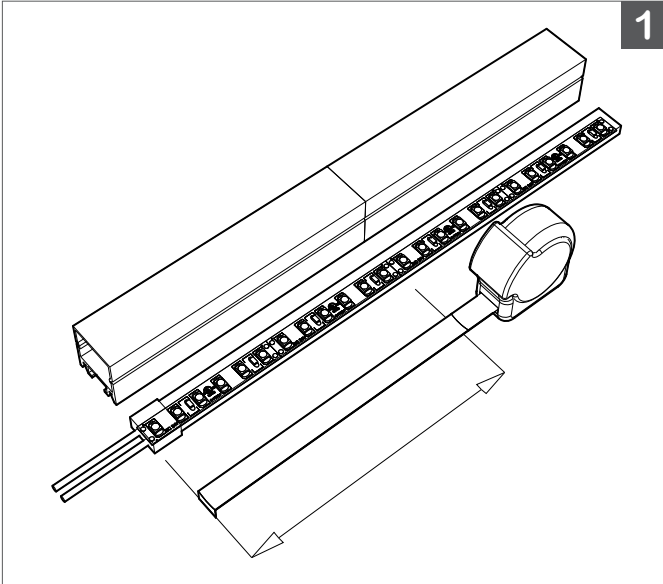
- There is potential danger of electrical shock when operating electrical components.
- Make sure power is turned off before installation.
- Allow for heat dissipation and adequate ventilation.

COMPONENTS



Each 6ft length of LED Profile is shipped complete with End Caps, Mounting Clips and TC180 Multi-Track Connectors with hardware.



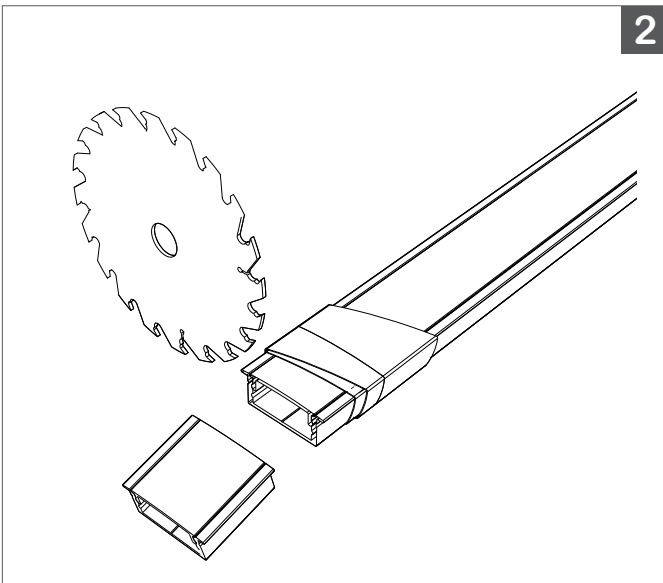


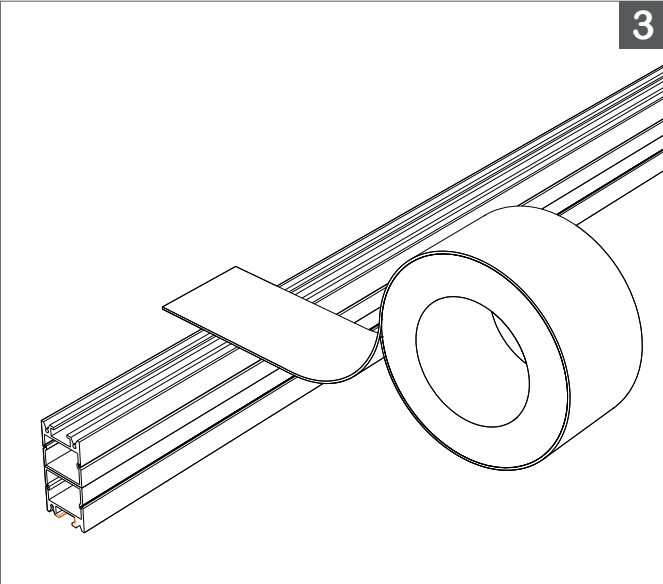
1, 2

Measure **BL Fixform** in parallel with **BL Flexform** for accurate coupling of components prior to cutting.

Use of a mechanical saw is recommended.

TIP: Secure **BL Fixform LED Aluminum Profile** base track and lens together with tape, and cut with lens facing down.

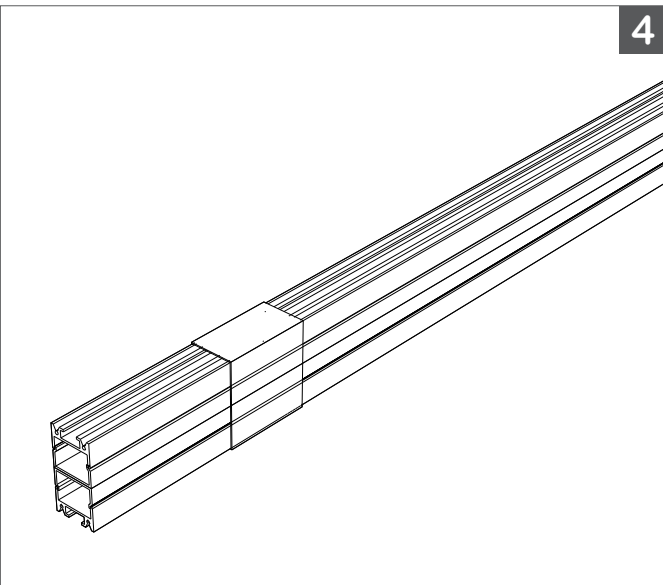




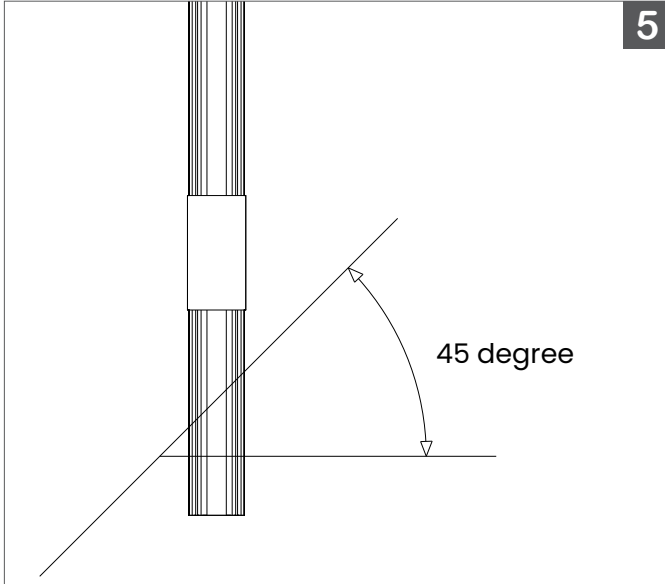
3, 4

For cutting multiple pieces to matching lengths, or to create 45° miter joints, prepare **LED Profile** by coupling Aluminum Profile base track with lens and place the lengths together, lens facing lens, and cut straight across or at the desired angle.

TIP: Securely wrap **Aluminum Profile** together with tape prior to cutting and initiate cut through backside of **Aluminum Profile** when cutting base track simultaneously.



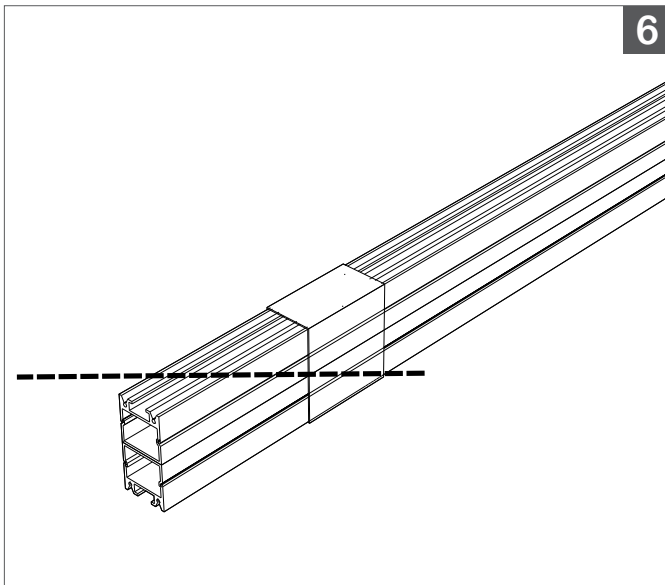
5

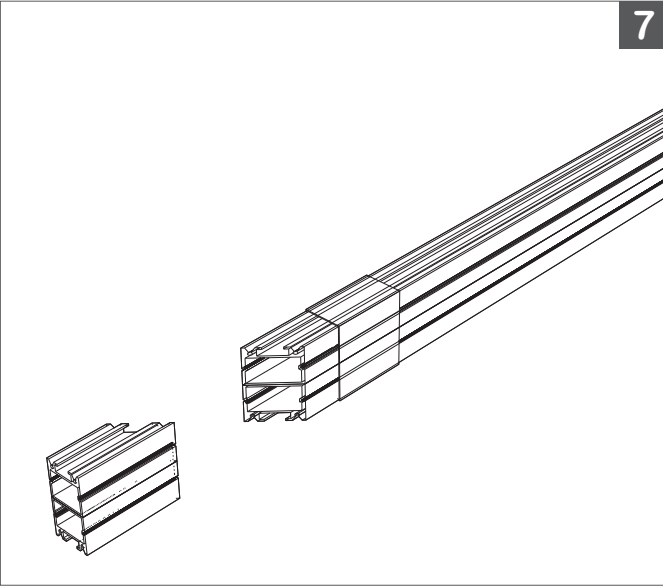


5,6

Measure desired length and start the cut from the top **Base Track** piece.

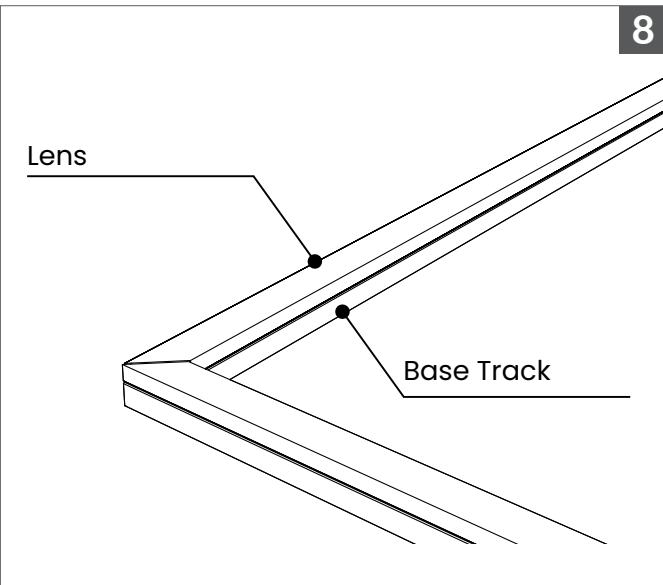
6





7,8

Join both pieces together with the **Optical Lens** facing up for a perfect 45° corner piece.

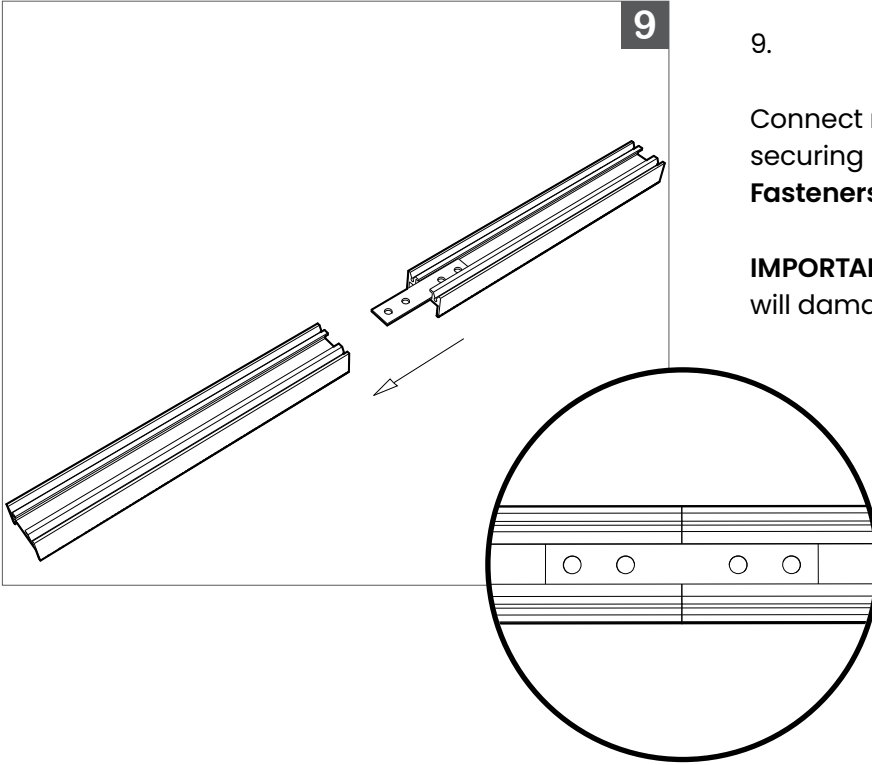


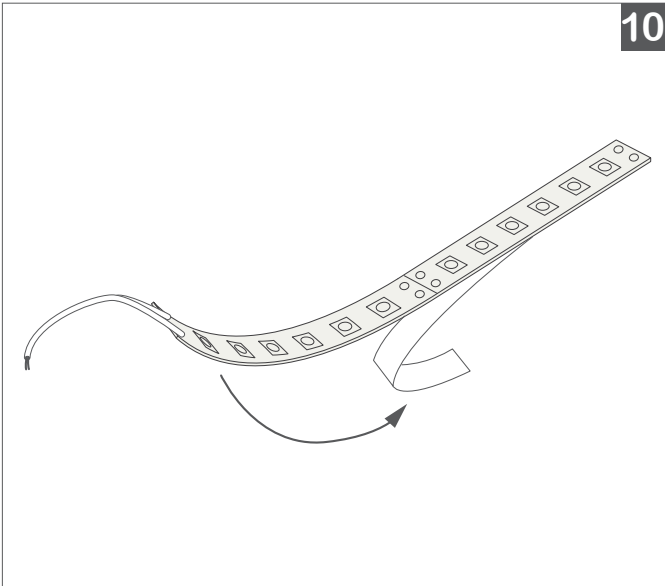
9

9.

Connect multiple lengths of **BL Fixform Profile** by securing provided **TC180 Multi-Track Connectors** and **Fasteners** to underside of base track.

IMPORTANT: Over-tightening socket set screws will damage the **LED Profile**.



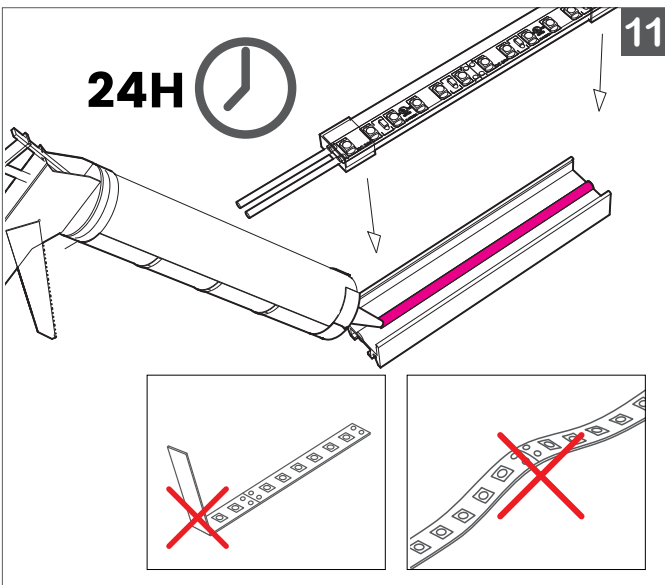


10, 11

Remove the double-sided tape backing from the LED, if applicable, and secure the **BL Flexform LED Tape** into the Base Track using the adhesive provided on the LED, and/or adhesive tube.

Evenly bead adhesive along the inner surface of the **BL Fixform LED Profile** base track.

IMPORTANT: Mounting surface must be clean and dry. To ensure a long lasting bond, it is recommended to run an alcohol wipe along the inside of the base track, and allow it to dry completely prior to securing **BL Flexform LED** into place.

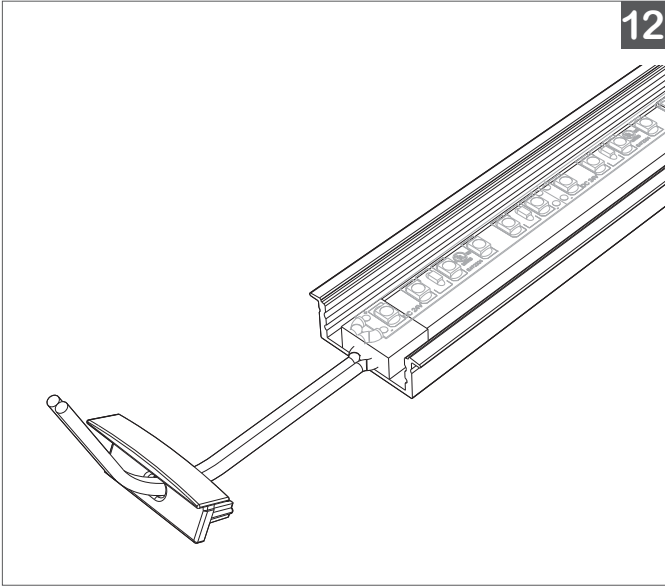


IMPORTANT: Allow adequate time for adhesive to cure, a minimum 24 hours is recommended. Refer to the instruction on the specific adhesive being used for guidance.

TIP: If needed, painter's tape or masking tape may be taped temporarily over **BL Flexform LED** to hold it in place on base track during cure time.

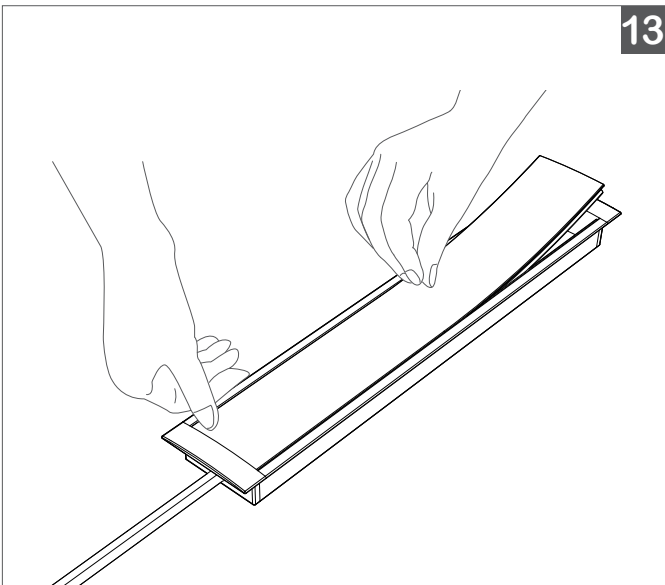
** For IP68 jacketed LED Tape, BL Flexform Dot-Free IP65, and down facing applications using IP65 or IP68 jacketed LED Tape, please refer to installation guide for BL ADH406*





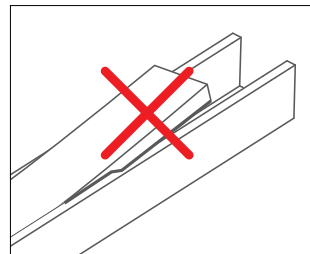
12.

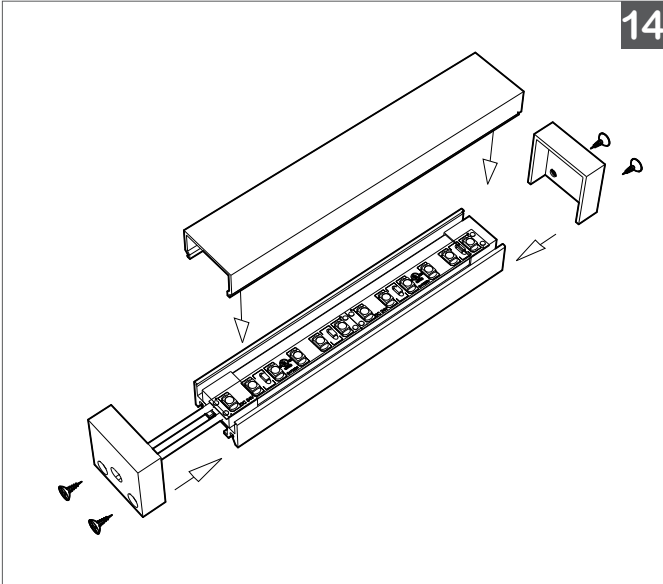
Gently guide the lead wire through the end caps.



13.

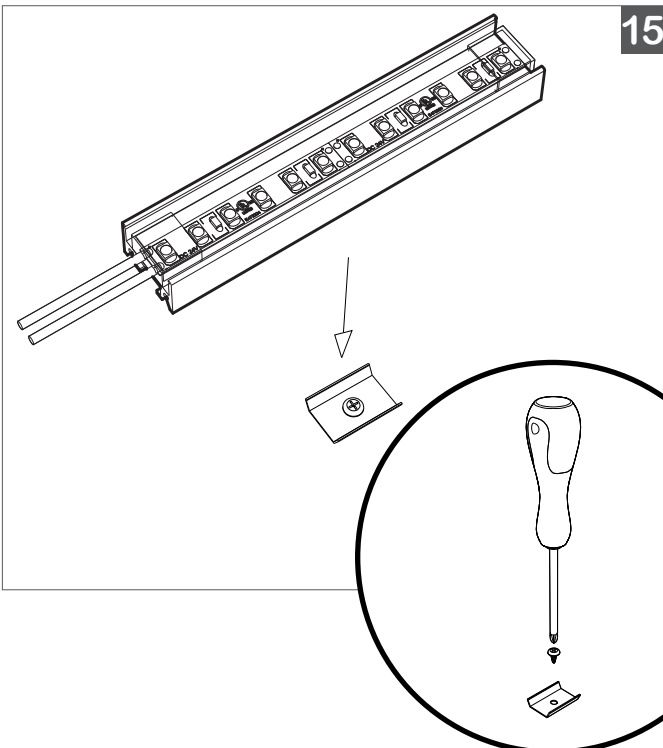
Put one corner first. Press in subsequent sections of the cover. Be careful not to bend or break the wings of the cover.



14

14.

Push fit the end caps onto the ends of the **LED Profile** and fasten with screws provided.

15

15.

Attach the included **Mounting Clips** using fasteners appropriate for your mounting surface, which should be clean, dry and smooth.

A minimum of 2 Mounting Clips are recommended per up to 6ft of **LED Profile**. More clips may be required depending on application and mounting orientation.

Snap the **LED Profile** into **Mounting Clip**.

