

S1905

BL Fixform

Flexible Surface Mount Aluminium Extrusion
Designed for use with **BL Flexform** Series



S1905 is ideal for use on curved surfaces. The innovative, bendable extrusion is easily surface mounted over curves and contours with your choice of steel mounting clips or double sided tape. Create sleek lines of beautiful light with this flexible and super low profile for a professional, polished lighting effect. Curvy, stylish and compatible with BL Flexform LED, to deliver illumination in a wide variety of lumen packages.

Ultra Low Profile Design

Vertical Bend

CLIENT	
PROJECT NAME	
LOCATION	
DATE	

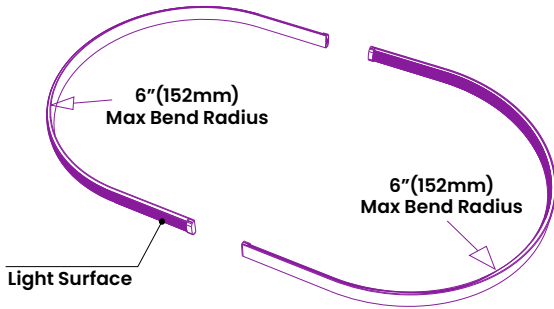
Product Detail



Mechanical	Housing Construction	Aluminum Channel Polycarbonate Optic (75% Trans.) Plastic End Caps Steel Surface Mounting Clips
	Stock Length	6ft (1.83m)
	Minimum Cut Length	Based on BL flexFORM Increments
Components	CH-S1905-E	Aluminum Base Track
	LE-S1905-E	Polycarbonate Optic
	EC-S1905-E	Plastic End Caps
	CP-S1905-E	Steel Surface Mounting Clips
Environmental	Ingress Protection	IP20
	Certifications	cULus



Bend Radius and Bend Orientation

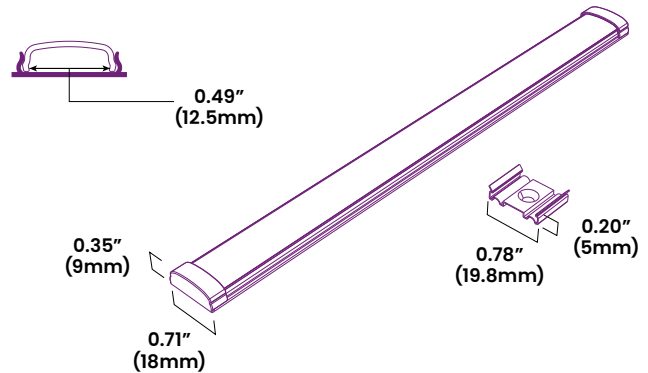


S1905 bends vertically

Ordering

Product Code
S1905-E-AL-FR-IP20

Dimensions



BL LIGHTING
ILLUMINATE EVERYTHING

111 - 8838 Heather St. Vancouver, BC, Canada. V6P 3S8
P: 1-804-874-4405 E: info@bllighting.com
Copyright © BL INNOVATIVE LIGHTING. All Rights Reserved.

Solid State Lighting is sensitive to power fluctuations. Surge protection is highly recommended for all LED lighting products and should be on a dedicated circuit to protect against premature failure. Lack of surge protection may void your warranty.

Designed & Assembled in North America.

Specifications subject to change without notice. Please refer to our website at bllighting.com for current technical data.

For more information, please download the BL LIGHTING catalog

bllighting.com

