

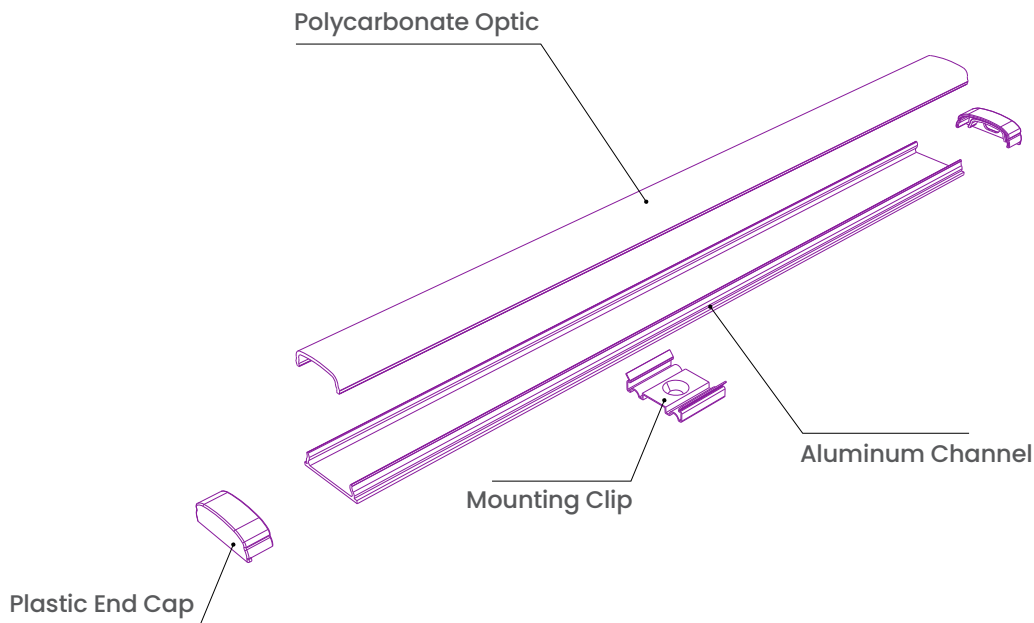


Please note that these instructions are guidelines only and in no way supersede any construction or installation standards. Local building and electrical codes should be consulted before installation.

### ATTENTION

- There is potential danger of electrical shock when operating electrical components.
- Make sure power is turned off before installation.
- Allow for heat dissipation and adequate ventilation.

## COMPONENTS

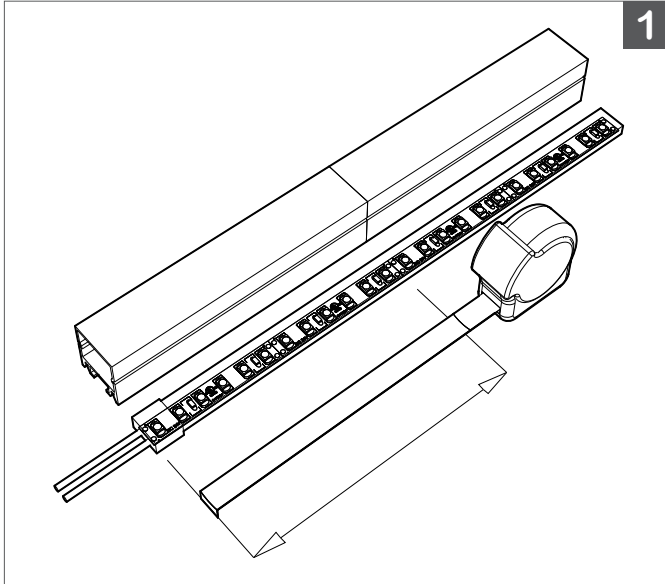


Each 6ft length of **S1905** is shipped complete with End Caps and Mounting Clips.

**S1905** is lightweight and flexible, bending vertically for installation on both curved and flat surfaces.

Please read all instructions prior to beginning installation.



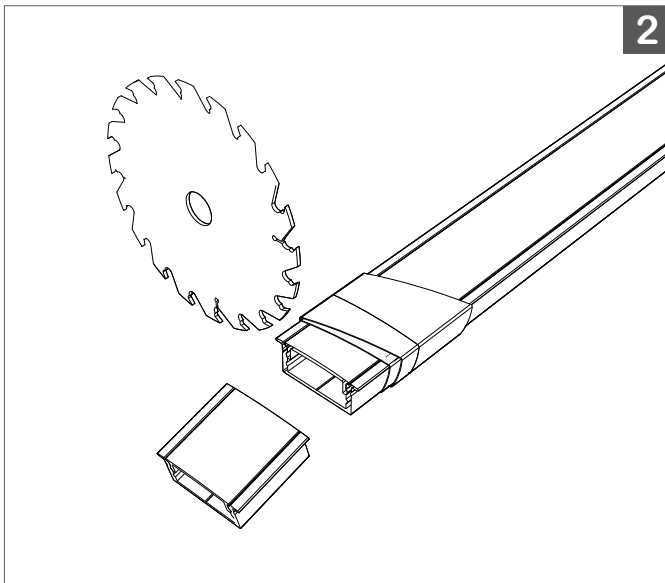


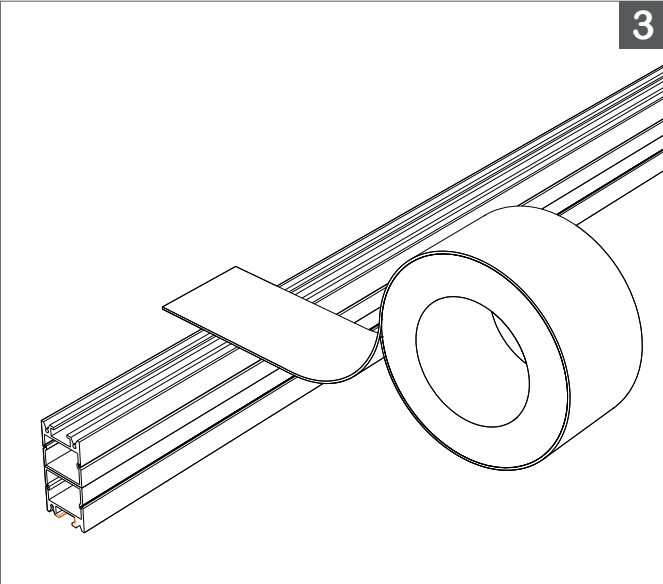
1, 2.

Measure **BL Fixform** in parallel with **BL Flexform** for accurate coupling of components prior to cutting.

Use of a mechanical saw is recommended.

**TIP:** Secure **BL Fixform LED Aluminum Profile** base track and lens together with tape, and cut with lens facing down.

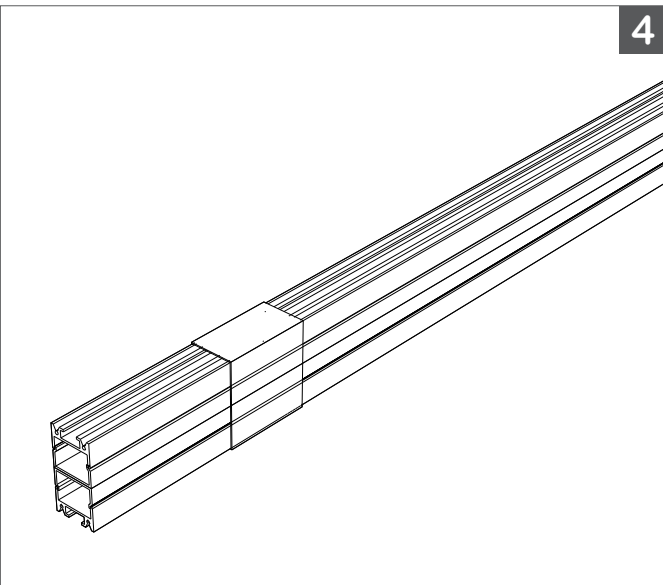




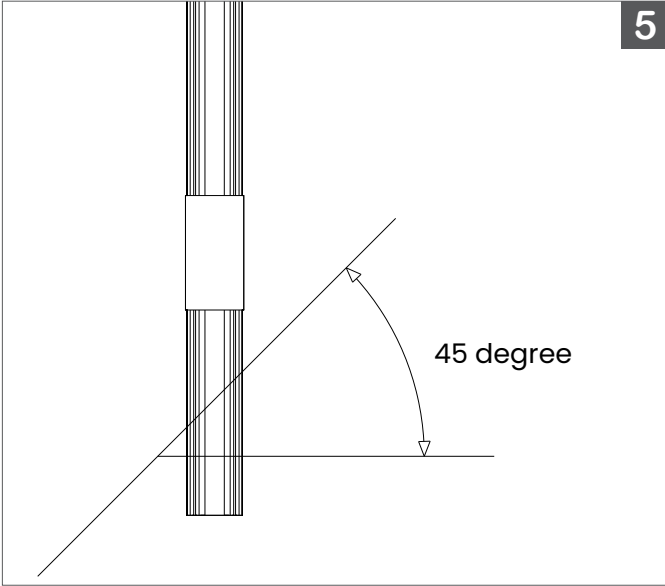
3, 4.

For cutting multiple pieces to matching lengths, or to create 45° miter joints, prepare **LED Profile** by coupling Aluminum Profile base track with lens and place the lengths together, lens facing lens, and cut straight across or at the desired angle.

**TIP:** Securely wrap **Lens** and **Aluminum Profile** together with tape prior to cutting and initiate cut through backside of **Aluminum Profile** when cutting base track and lens simultaneously.



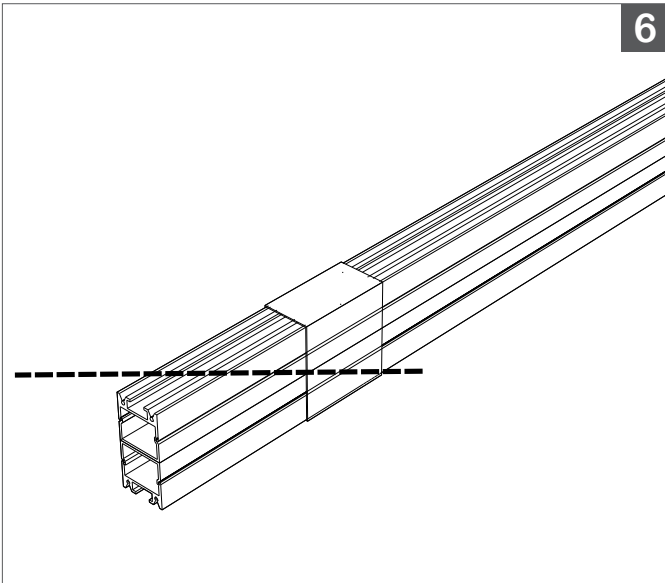
5

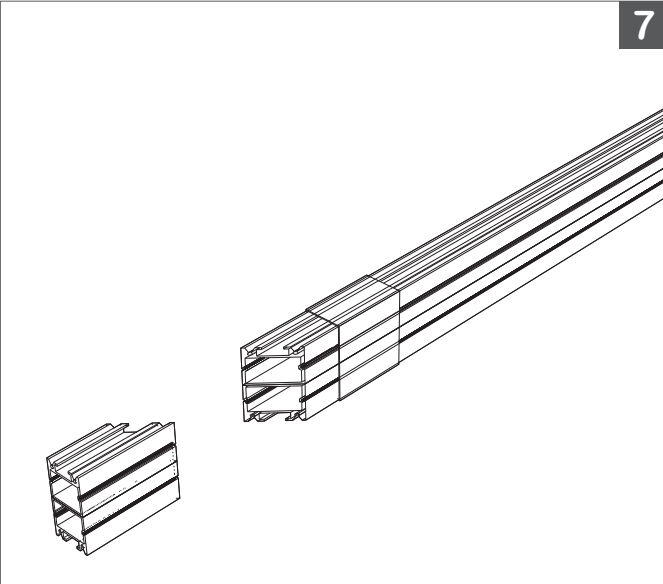


5,6.

Measure desired length and start the cut from the top **Base Track** piece.

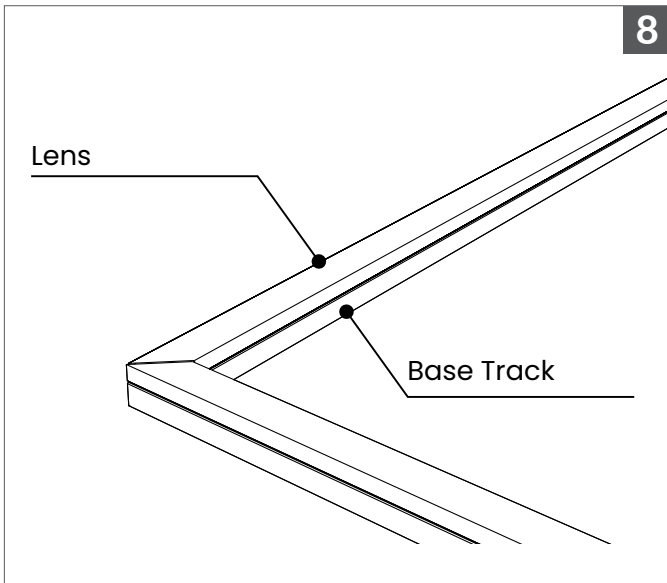
6





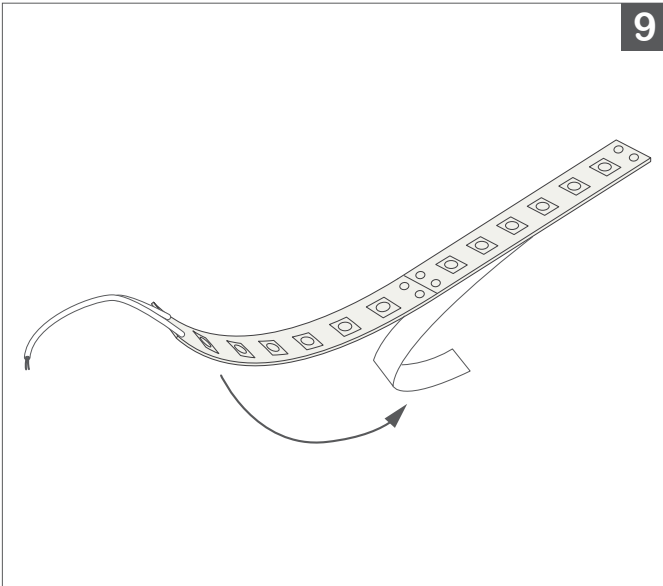
7, 8.

Join both pieces together with the **Optical Lens** facing up for a perfect 45° corner piece.



**ASSEMBLING AND FIXING BL FLEXFORM LED TAPE INTO THE PROFILE**

Depending on application and mounting method chosen, BL Flexform may be pre-assembled into the channel either prior to or after BL Fixform is installed in place.



9, 10.

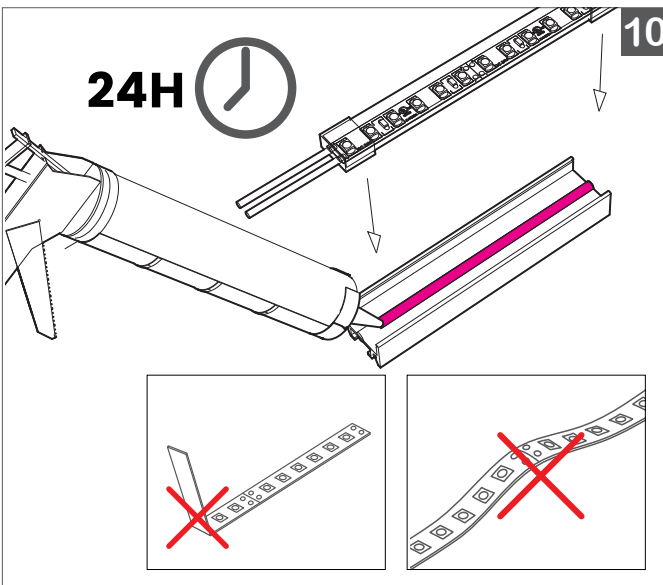
Remove the double-sided tape backing from the LED, if applicable, and secure the **BL Flexform LED Tape** into the Base Track using the adhesive provided on the LED, and/or adhesive tube.

Evenly bead adhesive along the inner surface of the **BL Fixform LED Profile** base track.

**IMPORTANT:** Mounting surface must be clean and dry. To ensure a long lasting bond, it is recommended to run an alcohol wipe along the inside of the base track, and allow it to dry completely prior to securing **BL Flexform LED** into place.

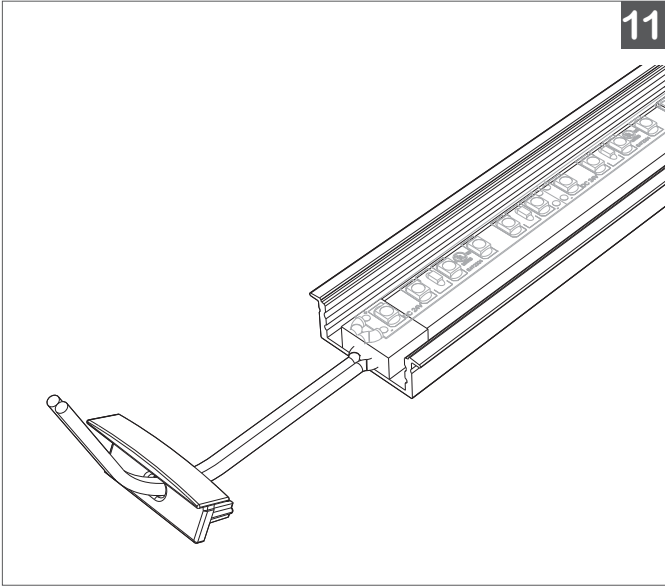
Secure BL flexFORM LED Tape gently along the length, without bending or pulling up. Bonds should be held in place until adhesive has fixtured. Masking tape may be used along the length of the LED for this purpose.

Product should be allowed to develop full strength before subjecting to any service loads (typically 24-72 hours after assembly, depending on bond gap, materials and ambient conditions).



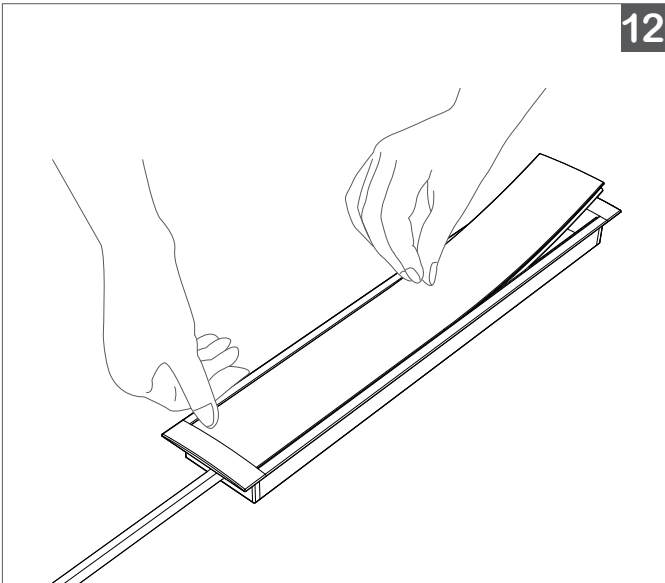
*\* For IP68 jacketed LED Tape, BL Flexform Dot-Free IP65, and down facing applications using IP65 or IP68 jacketed LED Tape, please refer to installation guide for BL ADH406*



**11**

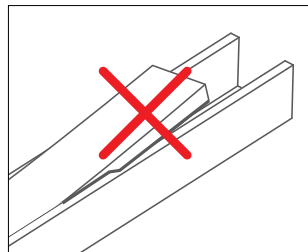
11.

Gently guide the lead wire through the end caps.

**12**

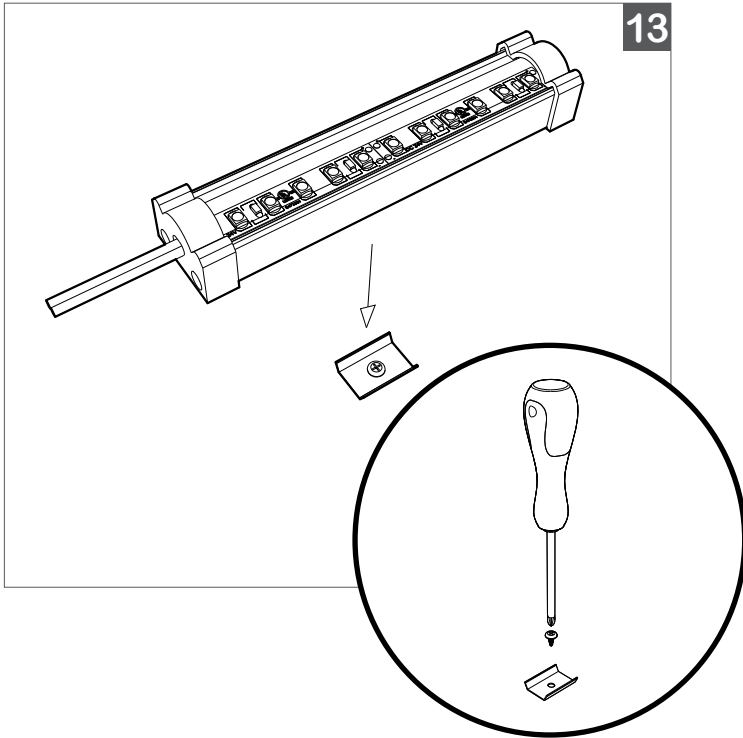
12.

Place one corner of the lens into the base track first and press in subsequent sections of the lens cover. Be careful not to bend or break the wings of the lens cover. Push fit the end caps onto the ends of the LED Profile.



**LAYOUT AND MOUNTING METHODS**

## Mounting Clips (preferred method)



13.

Anchor the included Mounting Clips to framing or solid surface with appropriate sized fastening screws for the application, in preparation for installing the mounting channel. Ensure the screw sits flush within the mounting clip.

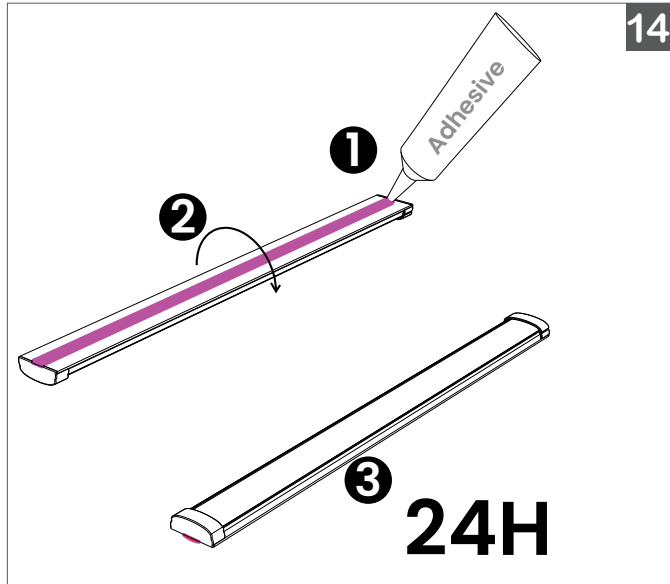
A minimum of 3 Mounting Clips are recommended per up to 6ft of LED Profile. More clips may be required depending on application and mounting orientation. Seat the LED Profile into the Mounting Clip, ensuring a secure fit.





**LAYOUT AND MOUNTING METHODS**

Adhesive



14.

Select an appropriate adhesive for securing your fixture and apply to channel assembly. Hold the bond in place and do not subject to any service loads until adhesive has developed a full strength cure.

Mounting surface must be clean and dry.

Adhesive is ideal for mounting to a flat, horizontal surface with the lights shining up, and is not recommended for vertical installations, or horizontal mount where the lights are shining down.

