

# S1709

BL Fixform

Indoor Surface Mount Aluminium Extrusion  
Designed for use with **BL Flexform** Series



At just 0.32 inches (9mm) high, S1709 is easily integrated into smaller spaces such as shelves, wardrobes, cabinets, and in coves; anywhere an inconspicuous surface mounted profile is desired. This sleek, low profile extrusion, is designed for integration with our BL Flexform Series, providing a polished, professional finish, in a thin, elegant, silhouette.

**Quick Ship**

<b>CLIENT</b>	
<b>PROJECT NAME</b>	
<b>LOCATION</b>	
<b>DATE</b>	

## Product Detail



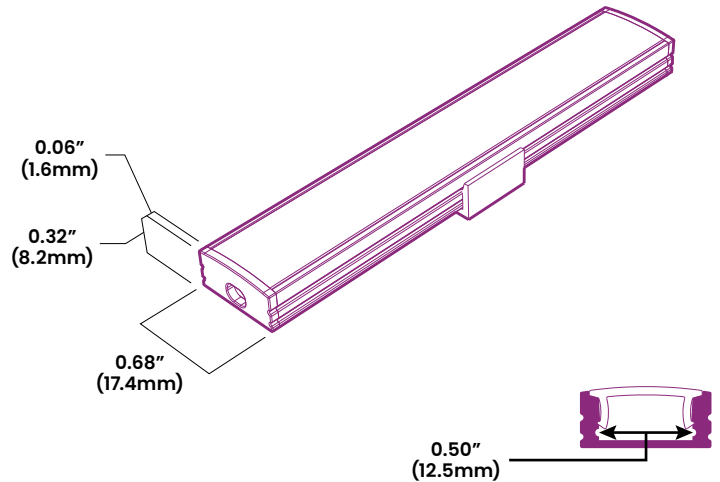
<b>Mechanical</b>	Housing Construction	Aluminum Channel Polycarbonate Optic (75% Trans.) Plastic End Caps
	Stock Length	8ft (2.44m)
	Minimum Cut Length	Based on BL Flexform Increments
<b>Components</b>	CH-S1709-E	Aluminum Base Channel
	LE-S1709-E	Polycarbonate Optic
	EC-S1709-E	Plastic End Cap
	CP-S1709-E	Plastic Surface Mounting Clips
<b>Environmental</b>	Ingress Protection	IP20
	Certifications	cULus



## Ordering

Product Code
S1709-E-AL-FR-IP20

## Dimensions



Custom channel colors are available, please consult BL Lighting for more information.

### BL LIGHTING ILLUMINATE EVERYTHING

111 - 8838 Heather St. Vancouver, BC, Canada. V6P 3S8  
P: 1-804-874-4405 E: info@bllighting.com  
Copyright © BL INNOVATIVE LIGHTING. All Rights Reserved.

Solid State Lighting is sensitive to power fluctuations. Surge protection is highly recommended for all LED lighting products and should be on a dedicated circuit to protect against premature failure. Lack of surge protection may void your warranty.

Designed & Assembled in North America.

Specifications subject to change without notice. Please refer to our website at [bllighting.com](http://bllighting.com) for current technical data.

For more information, please download the BL LIGHTING catalog

[bllighting.com](http://bllighting.com)

