

S1617

BL Fixform

Indoor Surface Mount Aluminium Extrusion
Designed for use with **BL Flexform** Series



S1617 has a 3/4" (17.5mm) square shaped, low profile optic, allowing for creation of virtually infinite lines of cohesive light, in a variety of lumen packages. Black finish and Frosted Black optics are also available. The standard 6ft lengths are field cuttable, and easy to install with included surface mounting clips.

Quick Ship

CLIENT	
PROJECT NAME	
LOCATION	
DATE	

Product Detail

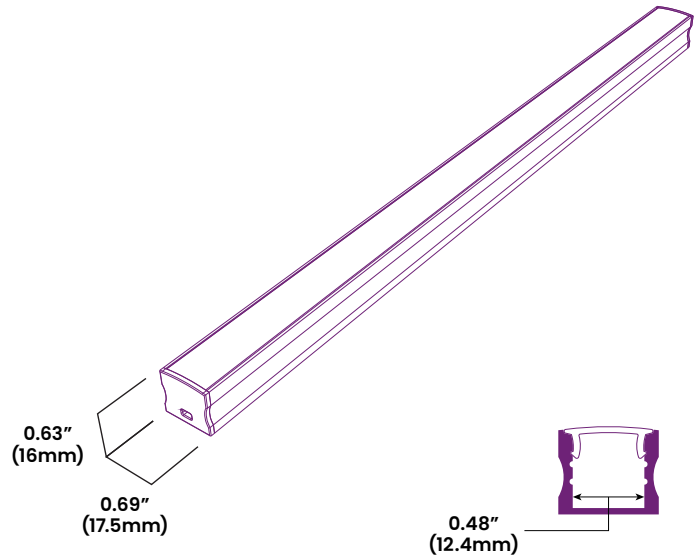


Mechanical	Housing Construction	Aluminium Enclosure Polycarbonate Optic (75% Trans.) Plastic End Caps
	Stock Length	6ft (1.83m)
	Minimum Cut Length	Based on BL Flexform Increments
Components	CH-S1617-E-AL	Aluminium Base Track
	CH-S1617-E-BK	Black Aluminium Base Track
	LE-S1617-E-CL	Clear Polycarbonate Optic
	LE-S1617-E-FR	Frosted Polycarbonate Optic
	LE-S1617-E-BK	Black Polycarbonate Optic
	EC-S1617-E-AL	Gray Plastic End Caps
	EC-S1617-E-BK	Black Plastic End Caps
	CP-S1617-E	Plastic Mounting Clips
	Environmental	Ingress Protection
Certifications		cULus

Ordering

Product Code	Series	Channel Finish	Lens Color	IP Rating
S1617	E	AL - Aluminum BK - Black	FR - Frosted White BK - Frosted Black CL - Clear	IP20

Dimensions



BL LIGHTING ILLUMINATE EVERYTHING

111 - 8838 Heather St. Vancouver, BC, Canada. V6P 3S8
P: 1-804-874-4405 E: info@bllighting.com
Copyright © BL INNOVATIVE LIGHTING. All Rights Reserved.

Solid State Lighting is sensitive to power fluctuations. Surge protection is highly recommended for all LED lighting products and should be on a dedicated circuit to protect against premature failure. Lack of surge protection may void your warranty.

Designed & Assembled in North America.

Specifications subject to change without notice. Please refer to our website at bllighting.com for current technical data.

For more information, please download the BL LIGHTING catalog

bllighting.com

