

# RT2414

BL Fixform

Indoor Recessed Aluminium Channel  
Designed for use with **BL Flexform Series**



Embed RT2414 directly into a drywall recess to transform ceilings and walls into luminous surfaces. Constructed with flanges for straightforward mud-in installation directly into the drywall surface, effortlessly create trimless lines of uniform illumination. RT2414 is designed for use with our BL Flexform Series, available in a wide variety of lumen packages. The sleek, low profile polycarbonate lens beautifully diffuses the light and provides another layer of protection for the LED. Ships in 6ft field cuttable lengths along with end caps to create a modern, sophisticated finish.

Quick Ship

Mud-in Drywall Channel

CLIENT	
PROJECT NAME	
LOCATION	
DATE	

## Product Detail



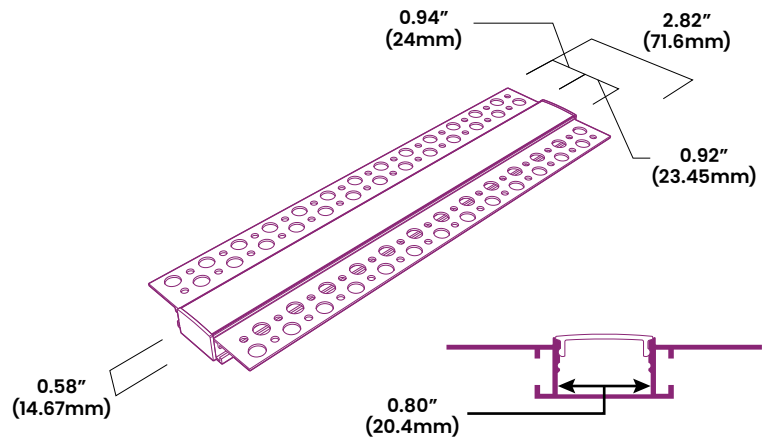
<b>Mechanical</b>	Housing Construction	Aluminum Channel Polycarbonate Optic (75% Trans.) Plastic End Caps
	Stock Length	6ft (1.83m)
	Minimum Cut Length	Based on BL Flexform Increments
<b>Components</b>	CH-RT2414-E	Aluminum Base Track
	LE-RT2414-E	Polycarbonate Optic
	EC-RT2414-E	Plastic End Cap
<b>Environmental</b>	Ingress Protection	IP20
	Certifications	cULus



## Ordering

Product Code
RT2414-E-AL-FR-IP20

## Dimensions



**BL LIGHTING**  
ILLUMINATE EVERYTHING

111 - 8838 Heather St. Vancouver, BC, Canada. V6P 3S8  
P: 1-804-874-4405 E: info@bllighting.com  
Copyright © BL INNOVATIVE LIGHTING. All Rights Reserved.

Solid State Lighting is sensitive to power fluctuations. Surge protection is highly recommended for all LED lighting products and should be on a dedicated circuit to protect against premature failure. Lack of surge protection may void your warranty.

Designed & Assembled in North America.

Specifications subject to change without notice. Please refer to our website at [bllighting.com](http://bllighting.com) for current technical data.

For more information, please download the BL LIGHTING catalog

[bllighting.com](http://bllighting.com)

