

RN1309

BL Fixform

Indoor Recessed Aluminium Channel
Designed for use with **BL Flexform** Series



RN1309 is ideal for providing thin lines of illumination flush recessed into walls, ceilings and surfaces. The attractive and uniform trim is a slim 1/2" (13mm) wide, and easy to install with included mounting clips. Sleek RN1309 profile is compatible with the narrow BL Flexform LED N2 LED Tape and delivers uniform, dot-free lines of light, perfect for creating luminous surfaces.

Quick Ship

CLIENT	
PROJECT NAME	
LOCATION	
DATE	

Product Detail



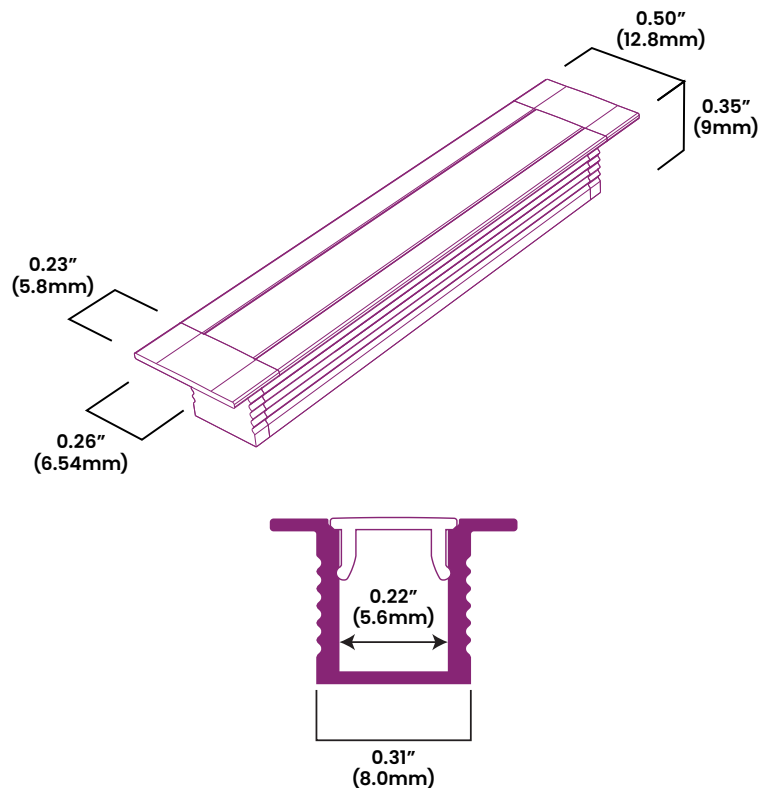
Mechanical	Housing Construction	Aluminum Channel Polycarbonate Optic (75% Trans.) ABS Plastic End Caps
	Stock Length	6ft (1.83m)
	Minimum Cut Length	Based on BL Flexform Increments
Components	CH-RN1309-E	Aluminum Base Track
	LE-RN1309-E	Polycarbonate Optic
	EC-RN1309-E	Plastic End Cap
Environmental	Ingress Protection	IP20
	Certifications	cULus



Ordering

Product Code
RN1309-E-AL-FR-IP20

Dimensions



BL LIGHTING ILLUMINATE EVERYTHING

111 - 8838 Heather St. Vancouver, BC, Canada. V6P 3S8
P: 1-804-874-4405 E: info@bllighting.com
Copyright © BL INNOVATIVE LIGHTING. All Rights Reserved.

Solid State Lighting is sensitive to power fluctuations. Surge protection is highly recommended for all LED lighting products and should be on a dedicated circuit to protect against premature failure. Lack of surge protection may void your warranty.

Designed & Assembled in North America.

Specifications subject to change without notice. Please refer to our website at bllighting.com for current technical data.

For more information, please download the BL LIGHTING catalog

bllighting.com

