



Please note that these instructions are guidelines only and in no way supersede any construction or installation standards. Local building and electrical codes should be consulted before installation.

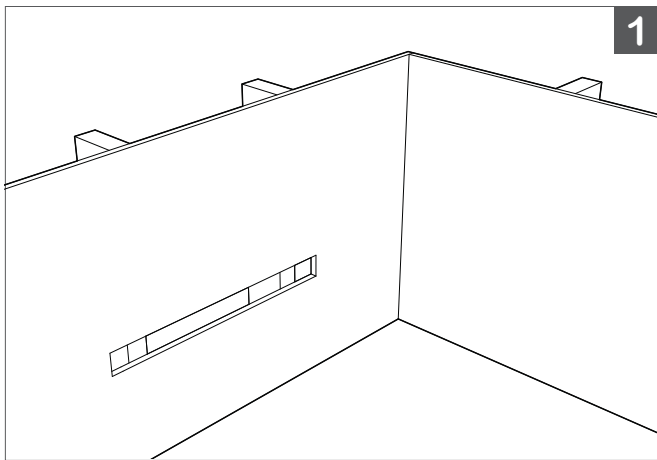
ATTENTION

- There is potential danger of electrical shock when operating electrical components.
- Make sure power is turned off before installation.
- Allow for heat dissipation and adequate ventilation.

For recessed mounting, the housing may be attached directly into the framing / solid surface and secured either by counter-sinking screws, or push fit and secured with adhesive. Mounting clip fixing is not possible when installed in a recess.

Layout and mark profile position to measured desired length of LED profile including the end caps. The depth of the required cutout into your mounting surface will vary depending on the fixing method, and type of profile used.

MOUNTING METHOD (PUSH FIT)

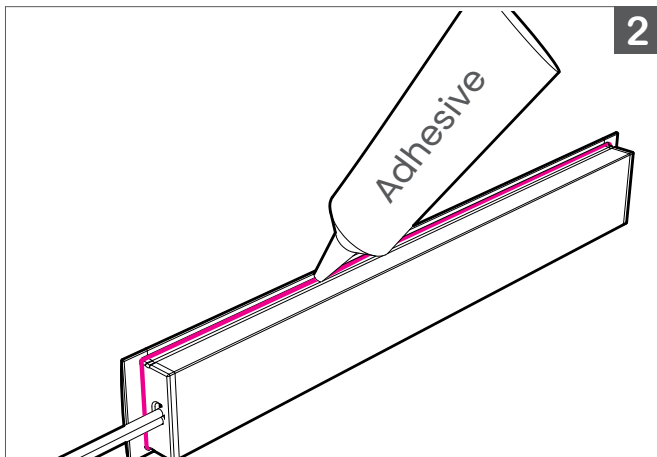


1.

Cut opening into mounting surface using proper width key hole saw and depth setting conforming to your recessed channel type.

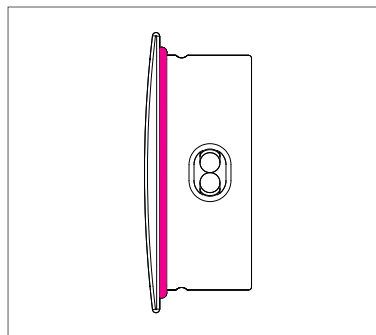
NOTE: Be sure to cut opening smaller than the wings of the flanged channel to ensure the opening is completely covered. Drill hole into mounting surface for routing power wire as required. Select appropriate adhesive for securing fixture. Apply adhesive to channel assembly and insert into routed surface.

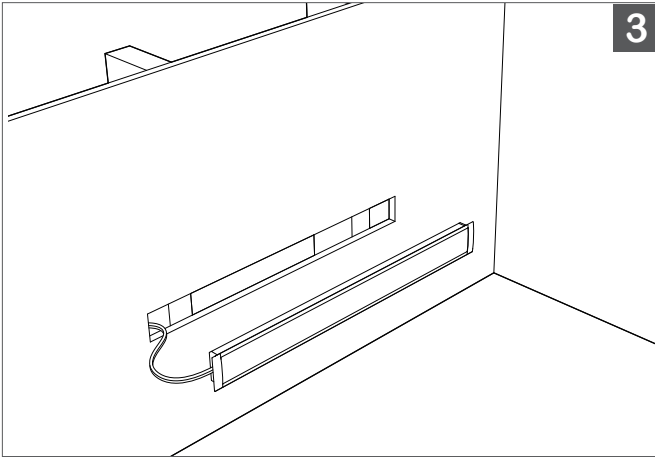
NOTE: Cut routed opening slightly deeper than depth of channel base to accommodate space for adhesive.



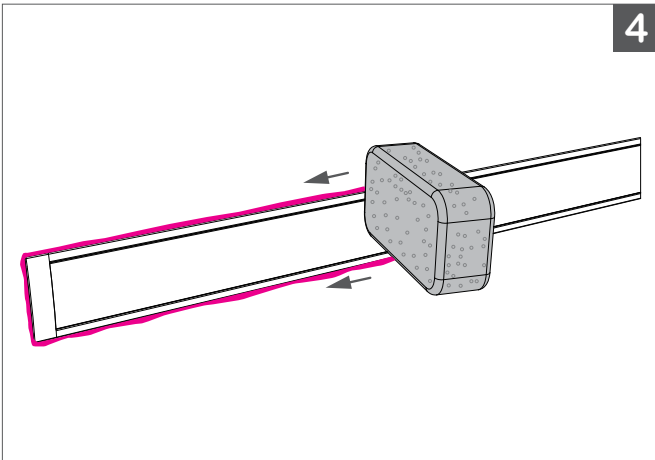
2.

Apply a layer of adhesive to the back of the profile.





3.
Route wires through opening, and push fit assembled profile into place



4.
Gently clean the excess adhesive from the profile.

MOUNTING METHOD (DIRECT SCREW – COUNTERSINK)

1. Select the smallest available countersink screws that will retain the LED Profile.
2. Drill a hole specific to your mounting screw diameter in the center of the housing and counter-sink hole so screw will sit flush with housing; ensure there are no burrs around the hole as they can damage the LED.
3. Anchor housing to framing or solid surface using screws.
4. Install LED Tape over mounting screw.
5. The LED Tape must lie flat against the profile, to preserve the thermal pathway for the LED and provide even illumination.

