

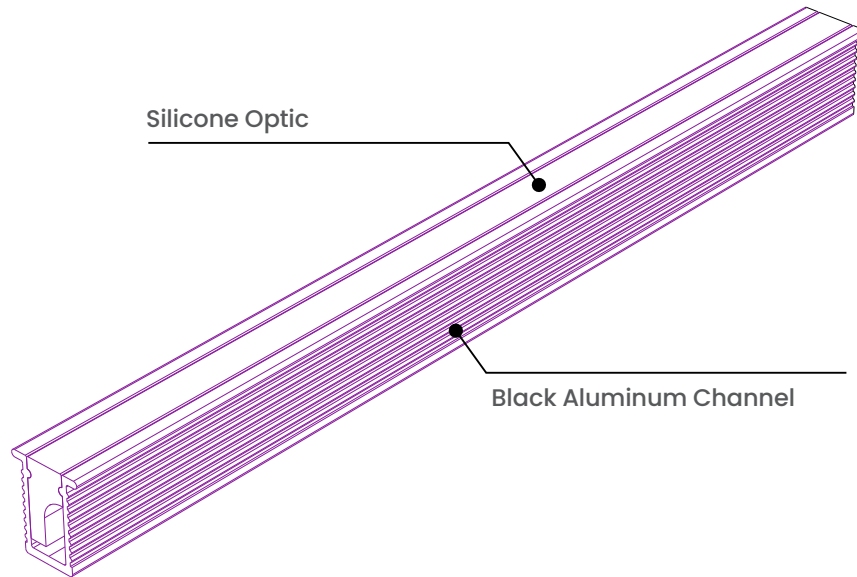


Please note that these instructions are guidelines only and in no way supersede any construction or installation standards. Local building and electrical codes should be consulted before installation.

### ATTENTION

- There is potential danger of electrical shock when operating electrical components.
- Make sure power is turned off before installation.
- Allow for heat dissipation and adequate ventilation.

## COMPONENTS



**RN1007** is designed to be flush recessed into a wooden surface.

**RN1007** is recommended to be ordered as a complete assembled luminaire with **N2 LED Tape**, ready for installation.

Field cut and assemble options are also available.

Please read all instructions prior to beginning installation.





Please note that these instructions are guidelines only and in no way supersede any construction or installation standards. Local building and electrical codes should be consulted before installation.

### ATTENTION

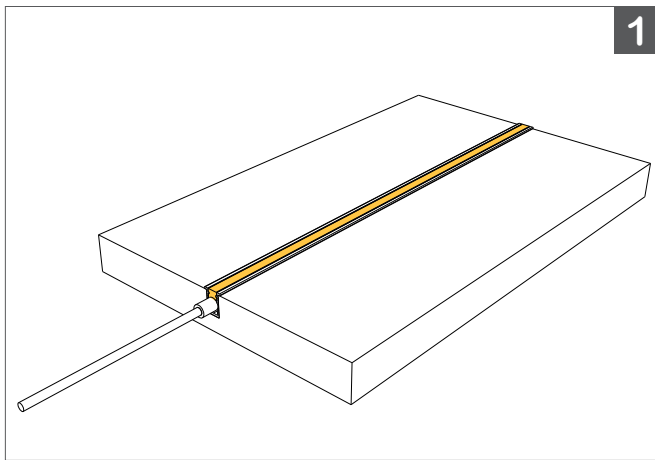
- There is potential danger of electrical shock when operating electrical components.
- Make sure power is turned off before installation.
- Allow for heat dissipation and adequate ventilation.

## INSTALLATION GUIDE 1

### Pre-assembled Luminaire with Integrate **N2** LED Tape Option

**RN1007** is ideal for push fit installation into the framing/solid surface and secured with an appropriate construction adhesive.

Mounting surface must be clean, dry and smooth. Always bench test the LED prior to installing.



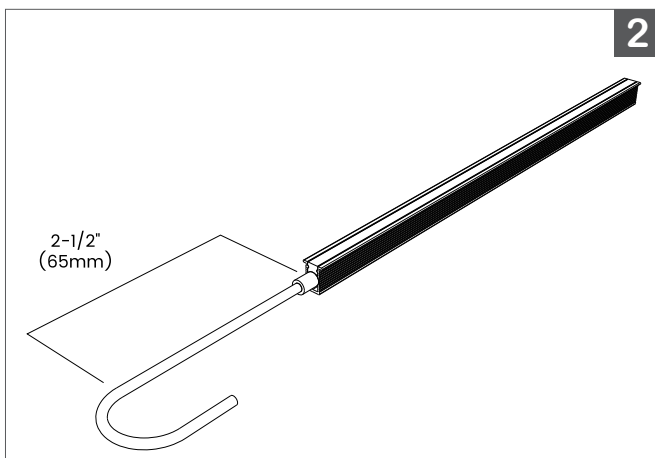
1.

Layout and mark position to desired length.

For recessed mounting, cut an appropriate sized opening in your surface using a proper width saw and depth setting to accommodate your recessed channel type.

Cut the opening smaller than the wings of the flanged base track to ensure the opening is completely covered, and cut slightly deeper than the depth of the base track to accommodate space for adhesive.

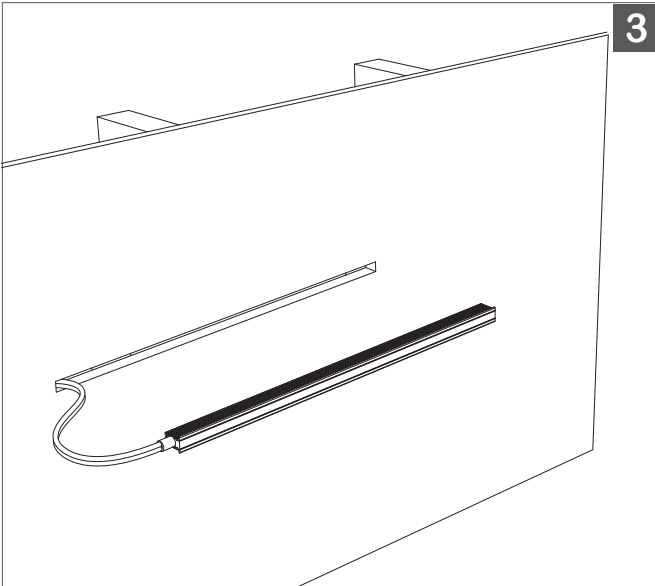
Drill hole into mounting surface for routing power wire as required.



2.

Lead wires should be routed straight out from the end of the light for the first 2-1/2" (65mm) before bending.

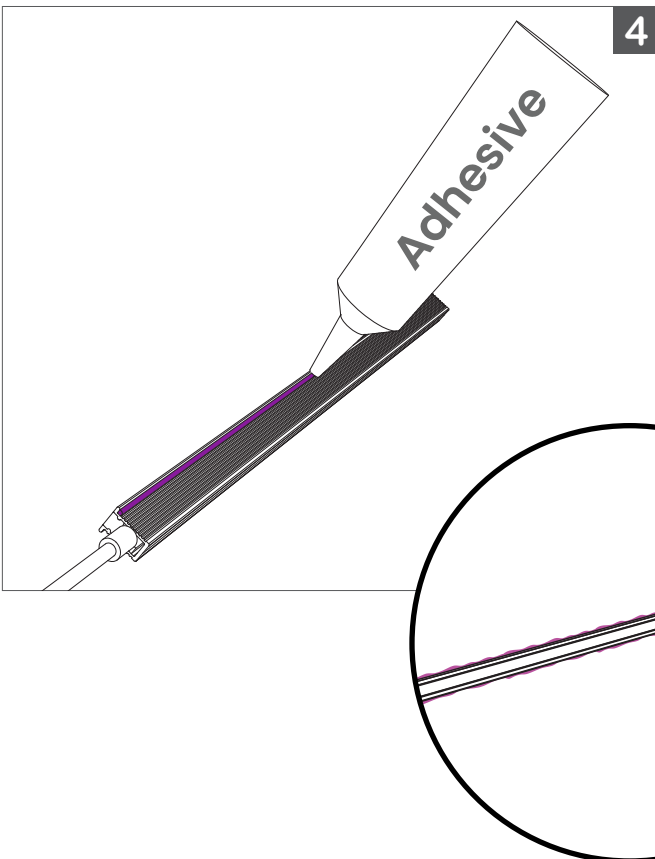




3.

Route wires through opening, and test lighting to ensure it powers on prior to permanently fixing in place.

**WARNING:** Light fixture must be turned off and disconnected from power prior to completing installation.



4.

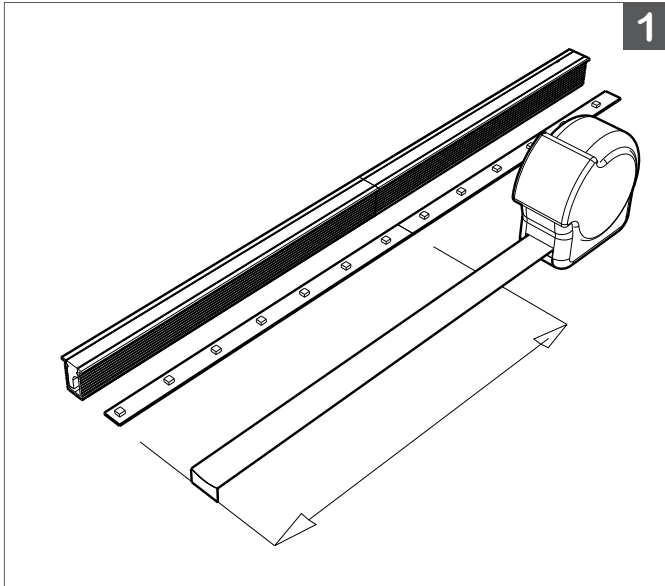
Apply a thin layer of adhesive to the back of the BL Fixform channel assembly and insert into the cutout, fitting the assembled **BL Fixform LED Profile** in place. Wipe any excess adhesive off, hold the bond in place, and do not subject to any service loads until adhesive has developed a full strength cure.

**IMPORTANT:** Do **NOT** put any adhesive inside of the BL Fixform LED Profile.



## INSTALLATION GUIDE 2

### Field Cut & Assembly Option

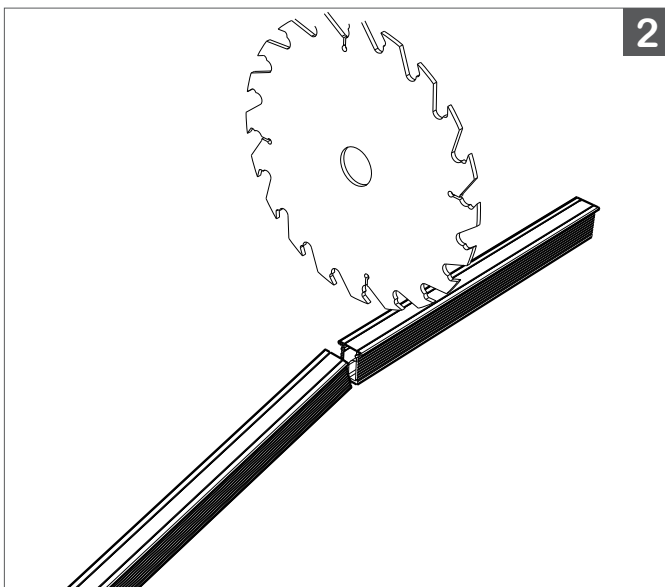


1, 2.

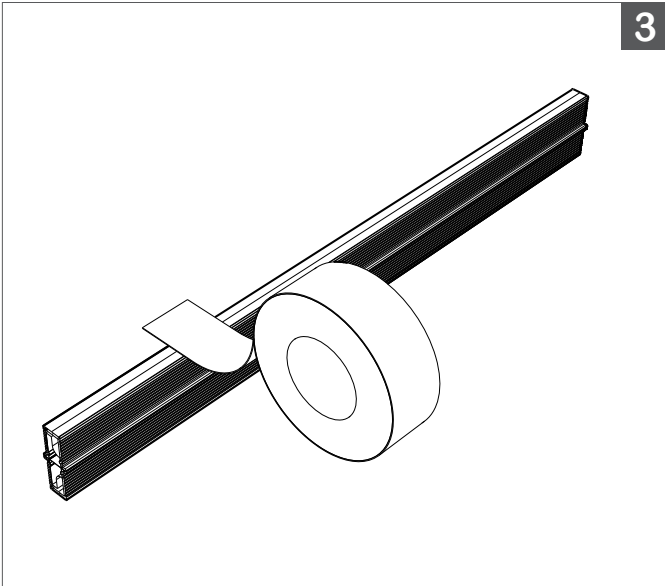
Measure **BL Fixform** in parallel with **BL Flexform** for accurate coupling of components prior to cutting.

Use of a mechanical saw is recommended.

**TIP:** Secure **BL Fixform LED Aluminum Profile** base track and lens together with tape, and cut with lens facing down.



3

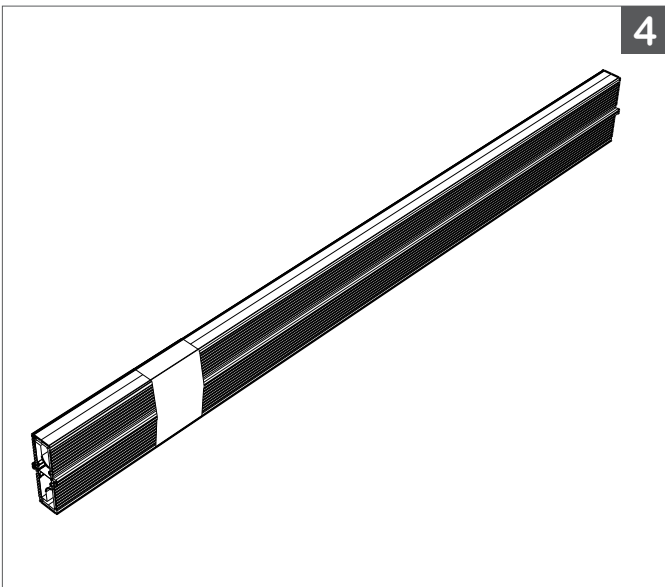


3, 4.

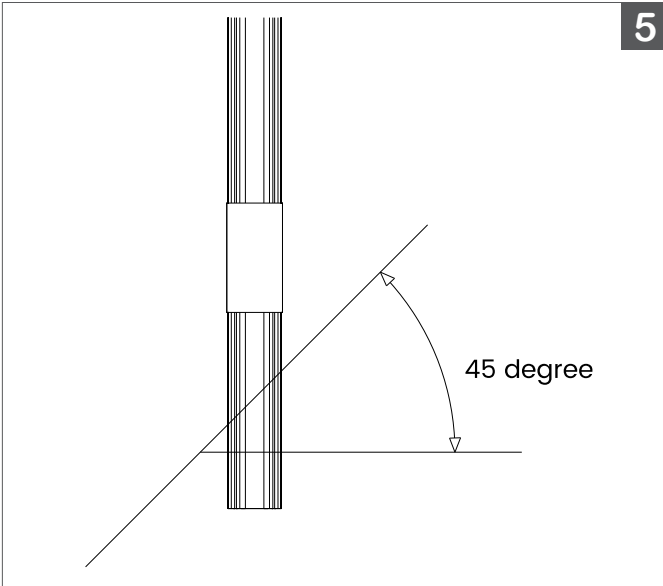
For cutting multiple pieces to matching lengths, or to create 45° miter joints, prepare **LED Profile** by coupling **Aluminum Profile** base track with lens and place the lengths together, lens facing lens, and cut straight across or at the desired angle.

**TIP:** Securely wrap Lens and **Aluminum Profile** together with masking tape prior to cutting, and initiate cut through backside of Aluminum Profile when cutting base track and lens simultaneously.

4



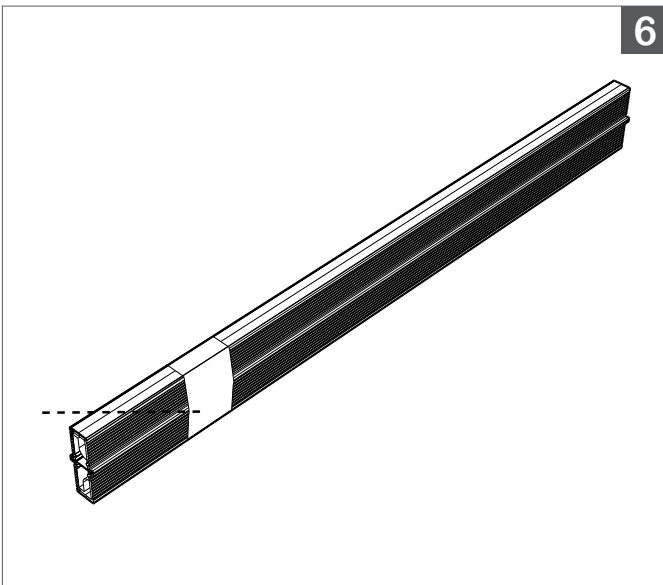
5

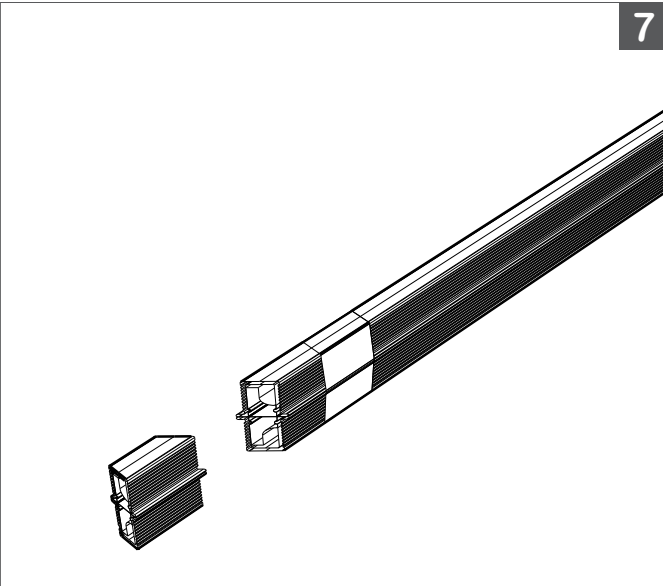


5, 6.

Measure desired length and start the cut from the top **Base Track** piece.

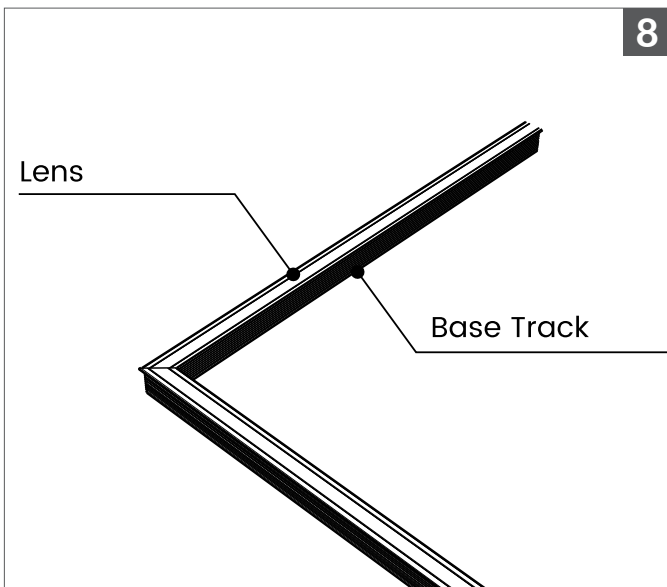
6

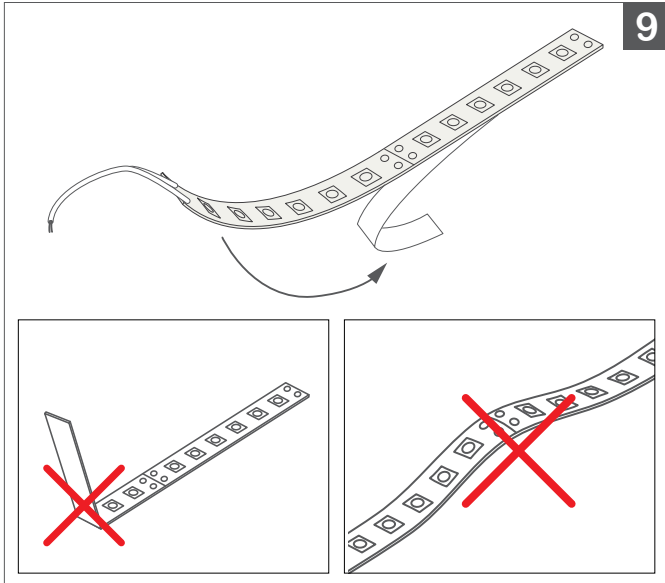




7, 8.

Join both pieces together with the **Optical Lens** facing up for a perfect 45° corner piece.





9, 10.

**Assembling and Fixing N2 LED Tape into the RN1007 Profile.**

**IMPORTANT:** Mounting surface must be clean and dry. To ensure a long lasting bond, it is recommended to run an alcohol wipe along the inside of the base track, and allow it to dry completely prior to securing LED Tape into place.

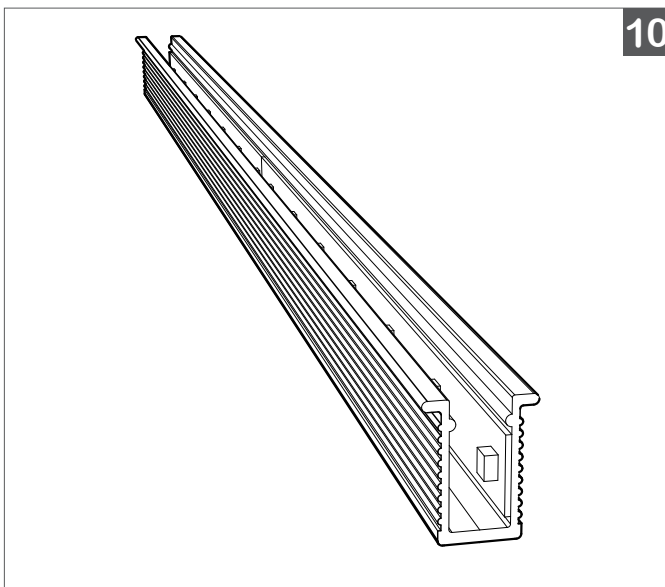
To begin, remove no more than 1/2" (13mm) of the double-sided tape backing from the power feed end of the LED and secure the end of **N2 LED Tape** into the **RN1007 Profile**, without bending or pulling up the tape. The **LED Tape** must be secured to the inner wall of the channel, with the edge all the way to the base of the channel.

**IMPORTANT:** Lead wires must not be seated inside the base track, or the diffuser lens will not fit. Only the solder points and **LED Tape** will fit under the lens.

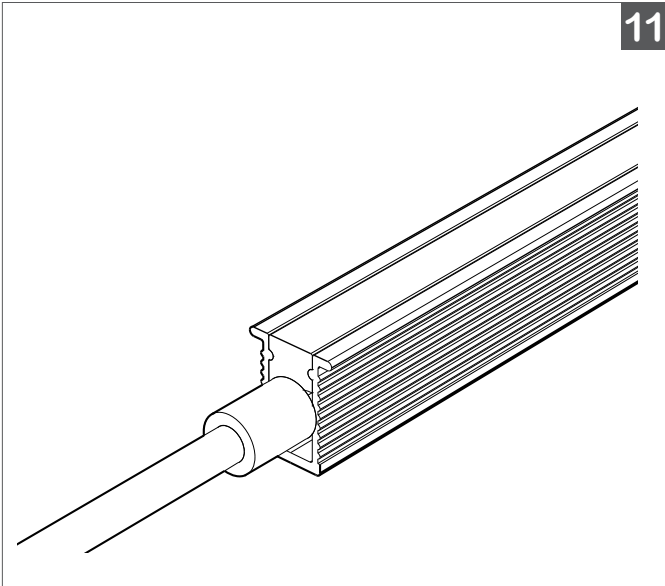
Without removing the rest of the double-sided tape, carefully set the **LED** into place in the channel, along the entire length. An insertion tool is provided to help set gently guide the **LED** into place.

**IMPORTANT:** Do not use the insertion tool forcibly, press only between the diodes, or damage to the LED will occur.

Once **LED** is seated, remove the double-sided tape bit by bit, using your finger to keep the **LED Tape** in place, and pressing carefully only between the diodes with the insertion tool to secure the **LED** to the inner wall of the channel.

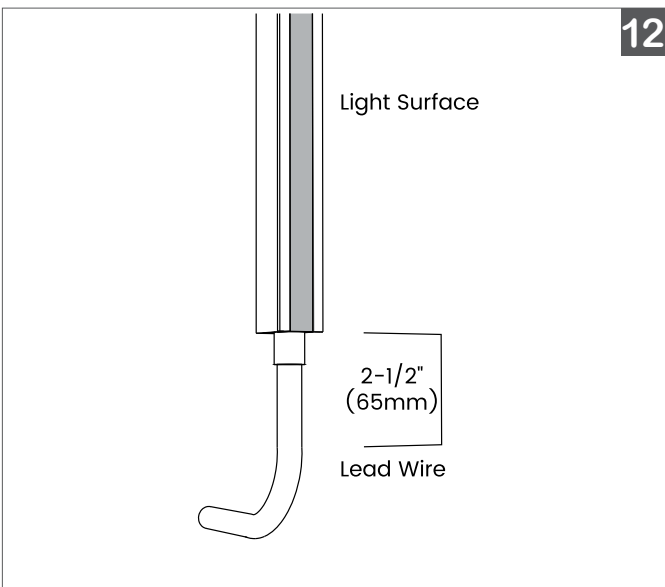






11.

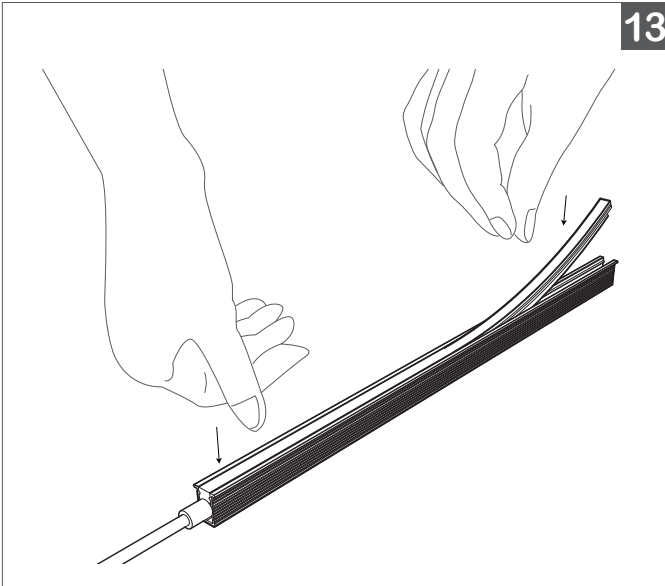
Add a short length of heat shrink tubing to the **Lead Wire** to add rigidity at the exit from the end of the profile.



12.

Ensure wires are routed straight out from the end of the light for the first 2-1/2" (65mm) before bending.

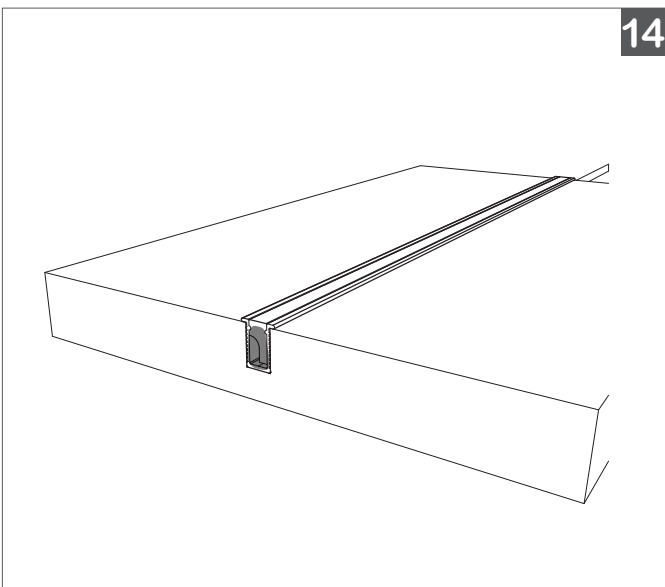




13.

Carefully place one corner of the flexible frosted lens optic into the base track first and press gently in subsequent sections of the lens cover. Be careful not to stretch or pull the lens as it is seated along the length.

Any excess lens may be trimmed with a sharp blade, such as a utility knife, to make a clean, even cut - do **NOT** use scissors or snips.



14.

Add a small dab of adhesive to the end to seal the gap. If the end will be in direct view, **Black Liquid Electrical Tape** (provided by others) is a good option to finish the end with.

For lengths exceeding 6ft, a second person will be required to support the length during installation.

Complete installation as per instructions in Layout and Mounting section above.

