

BL fixFORM RC21

Indoor Recessed Aluminium Extrusion
Designed for use with BL flexFORM Series

INSTALLATION INSTRUCTIONS



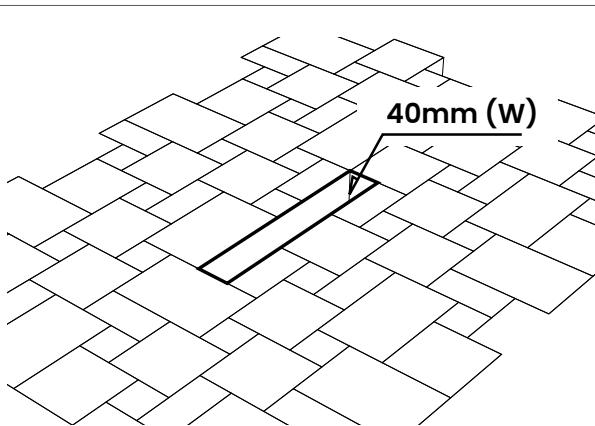
Please note that these instructions are guidelines only and in no way supersede any construction or installation standards. Local building and electrical codes should be consulted before installation.

ATTENTION

- There is potential danger of electrical shock when operating electrical components.
- Make sure power is turned off before installation.
- Allow for heat dissipation and adequate ventilation.

FOR PAVERS AND TILE INSTALLATION

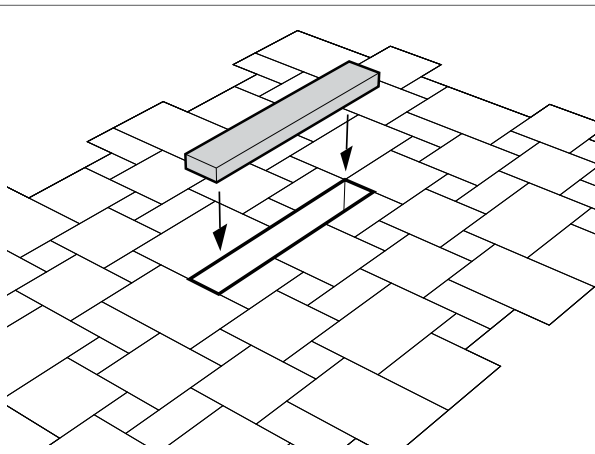
1



1. Create gap for **RC21** between pavers or tile.

NOTE: The recessed depth must align **RC21** flush to ground level. Trim must not be above or below surface level to prevent water from accumulating on lens.

2



2. Insert foam base. Add or shave down foam base until optimal height is achieved for flush installation of **RC21**.

NOTE: Cut out space or leave gap in foam base for running leads.

BL LIGHTING ILLUMINATE EVERYTHING

111 - 8838 Heather St. Vancouver, BC, Canada. V6P 3S8
P: 1-804-874-4405 E: info@bllighting.com
Copyright © BL INNOVATIVE LIGHTING. All Rights Reserved.

Solid State Lighting is sensitive to power fluctuations. Surge protection is highly recommended for all LED lighting products and should be on a dedicated circuit to protect against premature failure. Lack of surge protection may void your warranty.

Designed & Assembled in North America.

Specifications subject to change without notice. Please refer to our website at bllighting.com for current technical data.

For more information, please download the BL LIGHTING catalog

bllighting.com



BL fixFORM RC21

Indoor Recessed Aluminium Extrusion
Designed for use with BL flexFORM Series

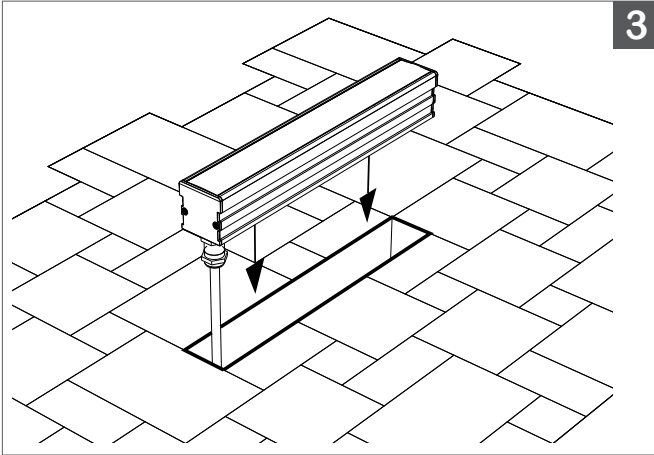
INSTALLATION INSTRUCTIONS



Please note that these instructions are guidelines only and in no way supersede any construction or installation standards. Local building and electrical codes should be consulted before installation.

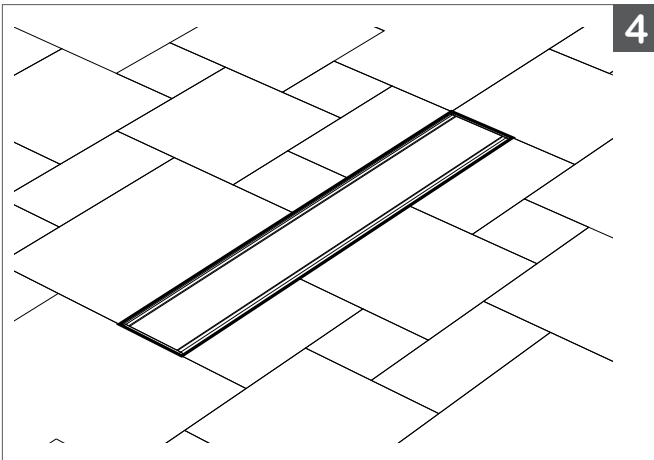
ATTENTION

- There is potential danger of electrical shock when operating electrical components.
- Make sure power is turned off before installation.
- Allow for heat dissipation and adequate ventilation.



3. Install and wire RC21.

TIP: Listed flexible conduit is recommended for in and out connections so to ease fixture position and adjustment during installation.



4.

- A. Fine-tune leveling for flush fit, if required.
- B. Fill gaps with putty, sand, pea-gravel or cement. Clean off excess.

BL LIGHTING ILLUMINATE EVERYTHING

111 - 8838 Heather St. Vancouver, BC, Canada. V6P 3S8
P: 1-804-874-4405 E: info@bllighting.com
Copyright © BL INNOVATIVE LIGHTING. All Rights Reserved.

Solid State Lighting is sensitive to power fluctuations. Surge protection is highly recommended for all LED lighting products and should be on a dedicated circuit to protect against premature failure. Lack of surge protection may void your warranty.

Designed & Assembled in North America.

Specifications subject to change without notice. Please refer to our website at bllighting.com for current technical data.

For more information, please download the BL LIGHTING catalog

bllighting.com

