

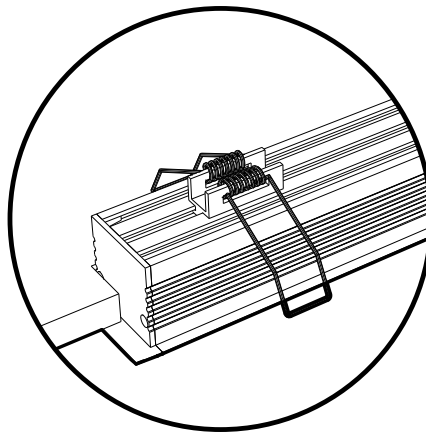
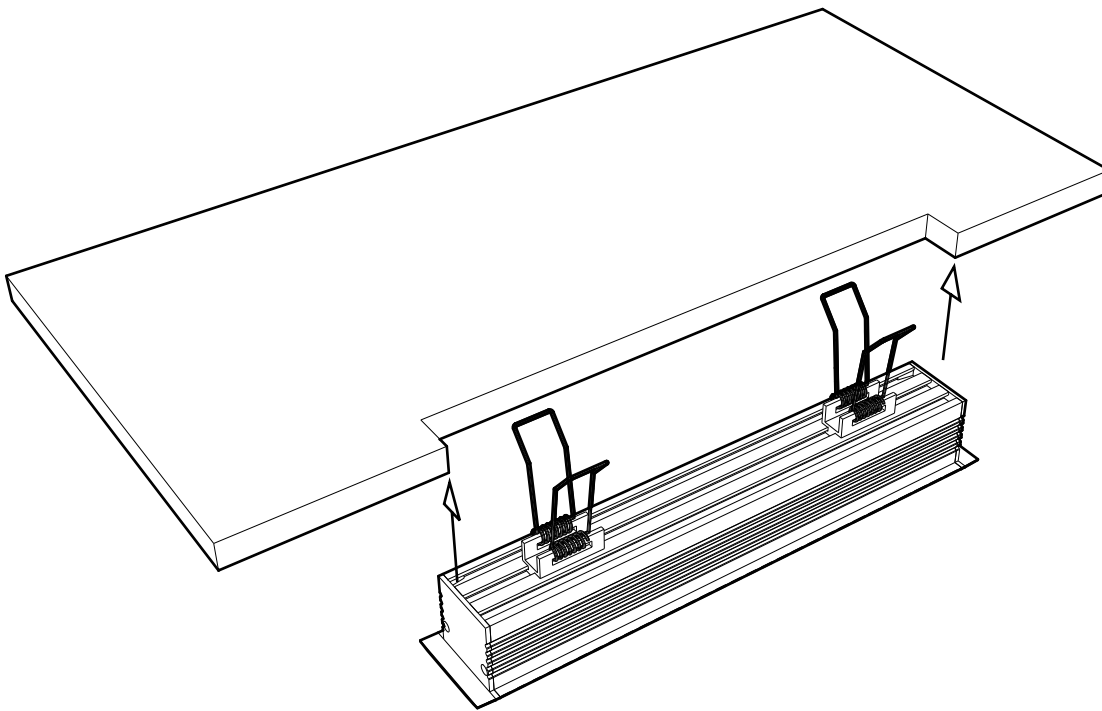


Please note that these instructions are guidelines only and in no way supersede any construction or installation standards. Local building and electrical codes should be consulted before installation.

ATTENTION

- There is potential danger of electrical shock when operating electrical components.
- Make sure power is turned off before installation.
- Allow for heat dissipation and adequate ventilation.

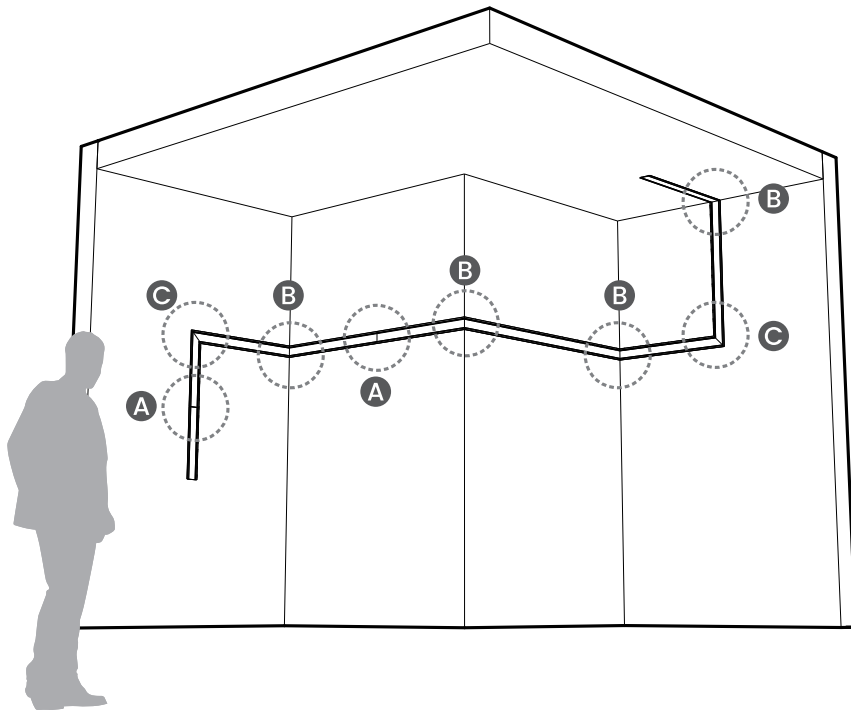
SPRING CLIP Grips behind drywall and other recessable surfaces



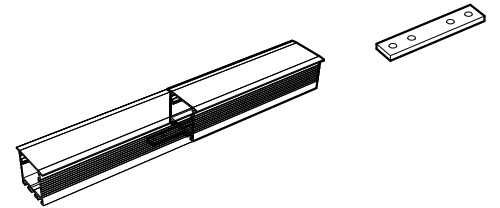
TIP: Minimum two Spring Clips per section recommended for secure fit behind drywall.



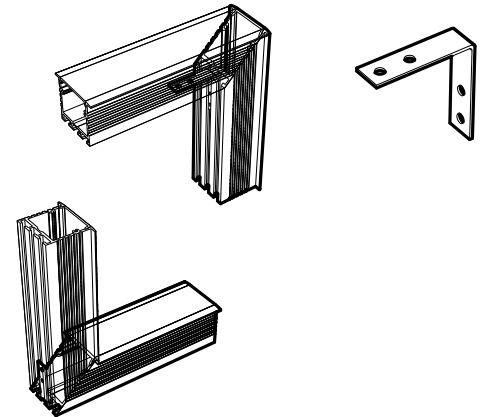
TRACK CONNECTOR For securing two or more sections together



A **TC180**
Multi-Track Connector, Flat 180°



B **TCX90**
Multi-Track Connector, In/Out 90°



B **TCF90**
Multi-Track Connector, Flat 90°

