

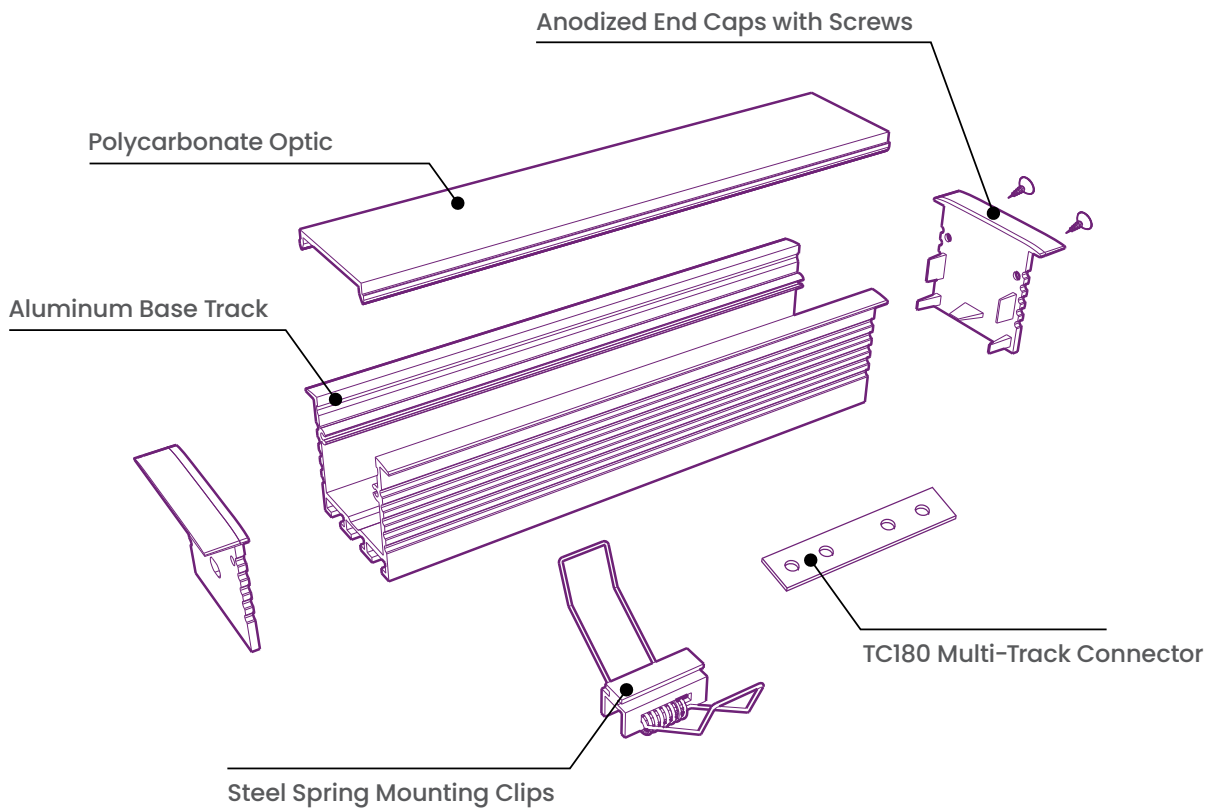


Please note that these instructions are guidelines only and in no way supersede any construction or installation standards. Local building and electrical codes should be consulted before installation.

ATTENTION

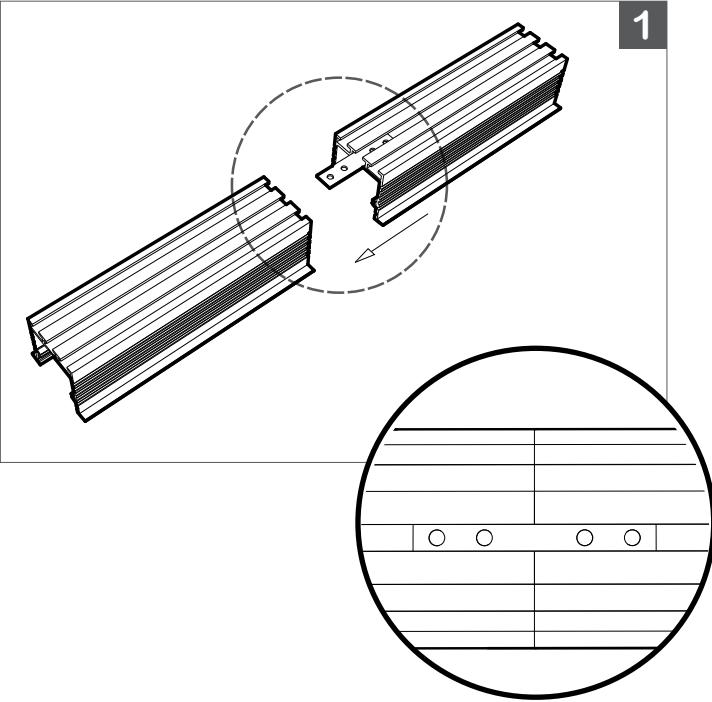
- There is potential danger of electrical shock when operating electrical components.
- Make sure power is turned off before installation.
- Allow for heat dissipation and adequate ventilation.

COMPONENTS



Each 6ft length of LED Profile is shipped complete with End Caps, Mounting Clips and TC180 Multi-Track Connectors with hardware.



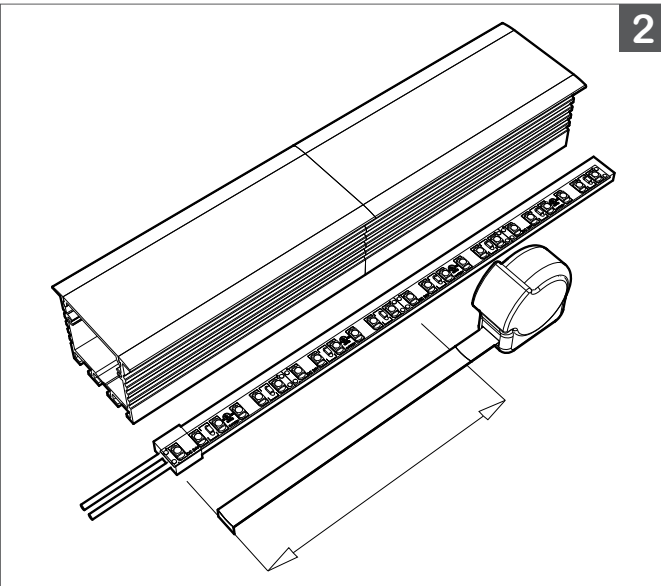


1

If required length is less than stock length (6'), please skip Step 1.

1. Combine multiple lengths of R4435 with TC180 connectors.

IMPORTANT: Do not over tighten hex bolts as it may damage R4435 base track.



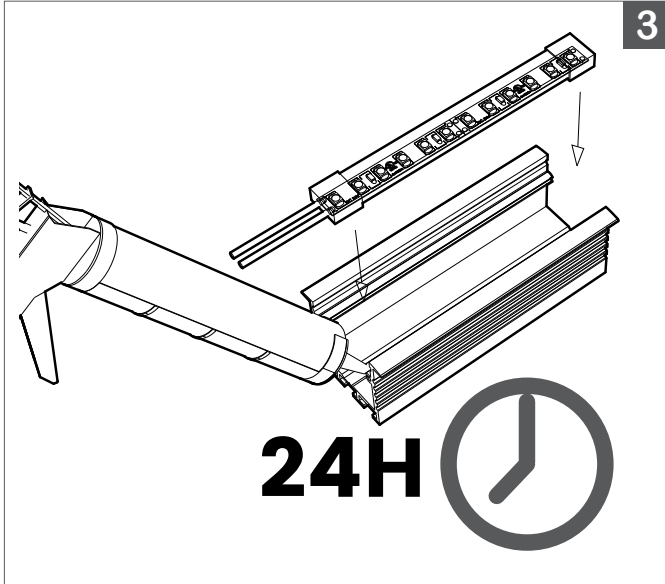
2

2.

A. Measure R4435 in parallel with BL Flexform Series to guarantee accurate coupling of components.
B. Cut R4435.

TIP: Cut R4435 optic and base track simultaneously.

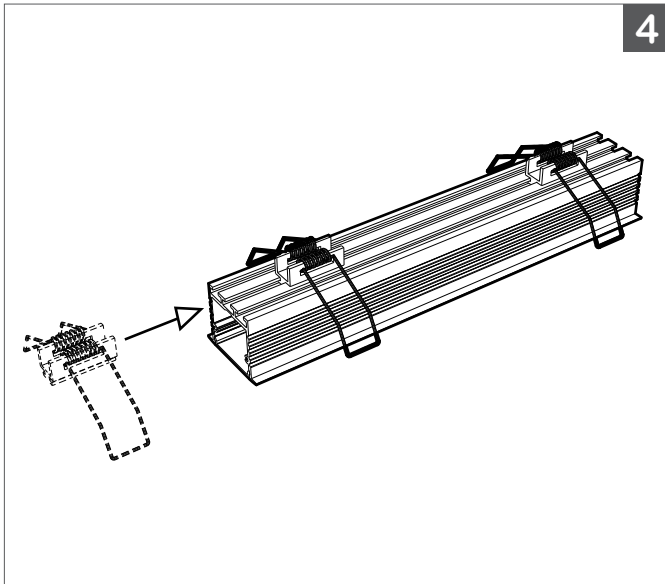




3.

- A. Evenly bead adhesive along surface of **R4435** base track.
- B. Mount **BL Flexform Series** into base track.

IMPORTANT: Allow adhesive to cure for 24 hours before installation.



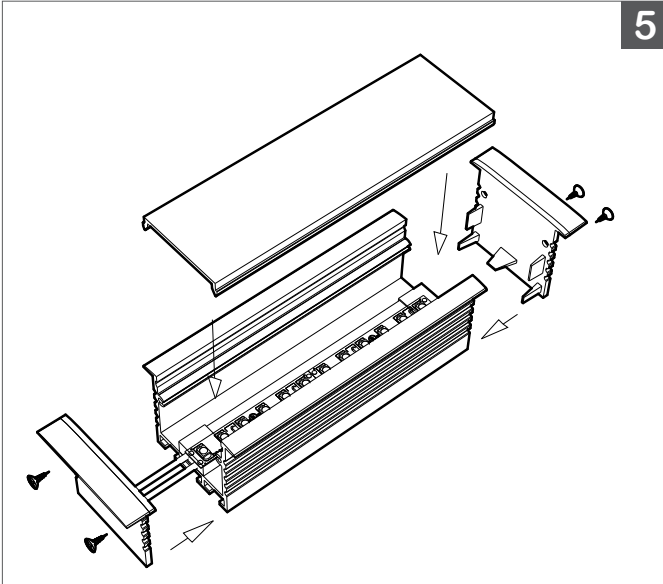
4.

- A. Insert Spring Clip into groove on the back of the base track.

TIP: Minimum two Spring Clips per section recommended for secure fit behind drywall.



5



5.

- A. Install optic onto base track.
- B. Feed **BL Flexform Series** power lead through designated hole on **R4435** end cap.
- C. Harness end caps onto base track with screws.

