

# R3314

BL Fixform

Indoor Recessed Aluminium Channel  
Designed for use with **BL Flexform** Series



R3314 is ideal for recessed corner mount LED lighting projects. With a unique curved lens optic seated at a 45° angle, BL Flexform LED fits nicely inside the extrusion, providing even beam distribution and dot free illumination creating beautiful light with a professional, polished, recessed finish. This stylish R3314 is compatible with BL Flexform LED, allowing you to create homogeneous lines of light in the widest array of lumen packages.

<b>CLIENT</b>	
<b>PROJECT NAME</b>	
<b>LOCATION</b>	
<b>DATE</b>	

## Recessed 45° Illumination

## Product Detail



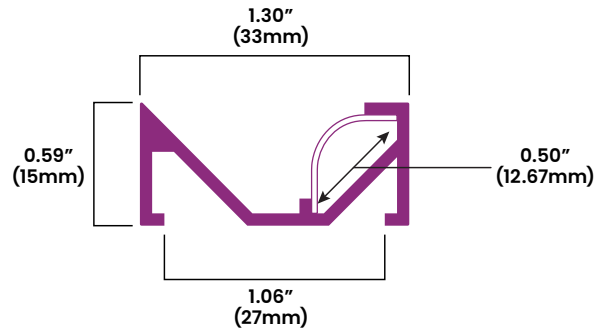
<b>Mechanical</b>	Housing Construction	Aluminum Channel Polycarbonate Optic (75% Trans.) Plastic End Caps Spring Mounting Clips
	Stock Length	8ft (2.44m)
	Minimum Cut Length	Based on BL Flexform LED Tape Increments
	<b>Components</b>	CH-R3314-E
LE-R3314-E		Polycarbonate Optic
EC-R3314-E		Plastic End Caps
CP-R3314-E		Steel Mounting Clip
<b>Environmental</b>	Ingress Protection	IP20
	Certifications	cULus



## Ordering

Product Code
R3314-E-AL-FR-IP20

## Dimensions



### BL LIGHTING ILLUMINATE EVERYTHING

111 - 8838 Heather St. Vancouver, BC, Canada. V6P 3S8  
P: 1-804-874-4405 E: info@bllighting.com  
Copyright © BL INNOVATIVE LIGHTING. All Rights Reserved.

Solid State Lighting is sensitive to power fluctuations. Surge protection is highly recommended for all LED lighting products and should be on a dedicated circuit to protect against premature failure. Lack of surge protection may void your warranty.

Designed & Assembled in North America.

Specifications subject to change without notice. Please refer to our website at [bllighting.com](http://bllighting.com) for current technical data.

For more information, please download the BL LIGHTING catalog

[bllighting.com](http://bllighting.com)

