

# R2626

BL Fixform

Indoor Recessed Aluminium Channel  
Designed for use with **BL Flexform** Series



R2626 is a high performance profile, compact and durable, engineered for flush mount installations where a more robust luminaire is required. With a high load bearing capability, R2626 is treadable, ideal for floors, walkways and anywhere requiring a high-traffic area lighting solution.

Quick Ship

Walkover Extrusion

CLIENT	
PROJECT NAME	
LOCATION	
DATE	

## Product Detail



<b>Mechanical</b>	Housing Construction	Aluminum Enclosure Polycarbonate Optic (75% Trans.) Anodized End Caps Stainless Steel Screws Stainless Steel PG7 Strain Relief Direct Burial Cable 18AWG
	Stock Length	6ft (1.83m)
	Minimum Cut Length	Based on BL Flexform Increments
	Weight Bearing	20kN (4500lbf)
<b>Components</b>	CH-R2626-E	Base Aluminum Channel
	BU-R2626-E	Stainless Steel Bushing
	LE-R2626-E	Polycarbonate Optic
	EC-R2626-E	Aluminum End Caps with Stainless Steel Screws
	WR-R2626-E	Direct Burial Cable 18AWG
<b>Environmental</b>	Ingress Protection	IP21
	Certifications	cULus

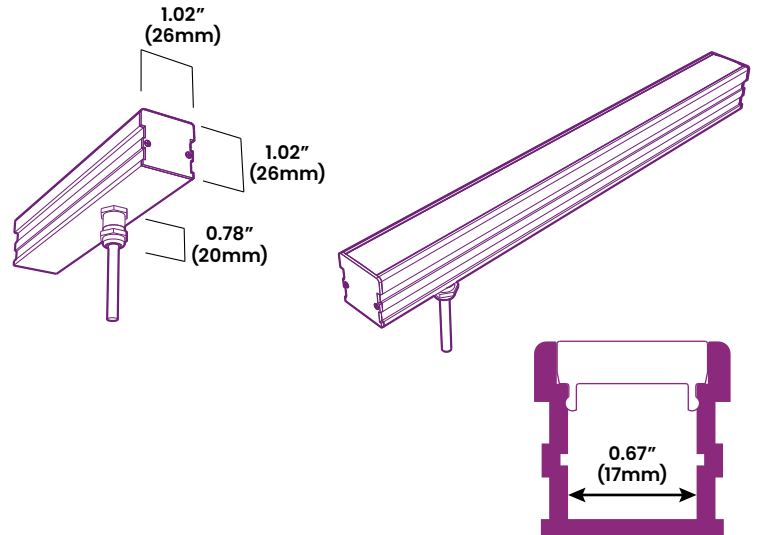


## Ordering

Product Code

R2626-E-AL-FR-IP20

## Dimensions



**BL LIGHTING**  
ILLUMINATE EVERYTHING

111 - 8838 Heather St. Vancouver, BC, Canada. V6P 3S8  
P: 1-804-874-4405 E: info@bllighting.com  
Copyright © BL INNOVATIVE LIGHTING. All Rights Reserved.

Solid State Lighting is sensitive to power fluctuations. Surge protection is highly recommended for all LED lighting products and should be on a dedicated circuit to protect against premature failure. Lack of surge protection may void your warranty.

Designed & Assembled in North America.

Specifications subject to change without notice. Please refer to our website at [bllighting.com](http://bllighting.com) for current technical data.

For more information, please download the BL LIGHTING catalog

[bllighting.com](http://bllighting.com)

