

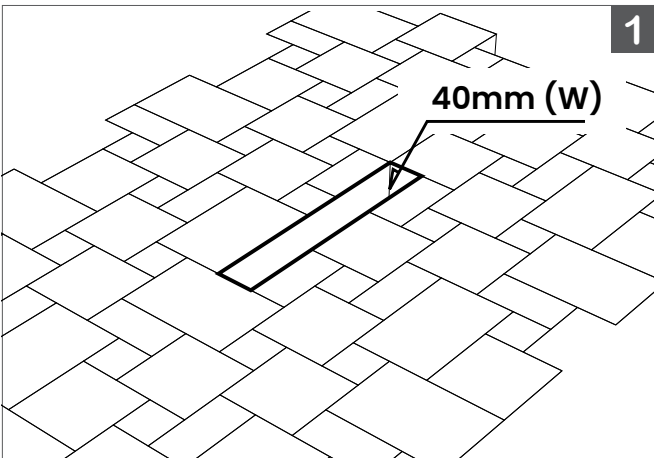


Please note that these instructions are guidelines only and in no way supersede any construction or installation standards. Local building and electrical codes should be consulted before installation.

**ATTENTION**

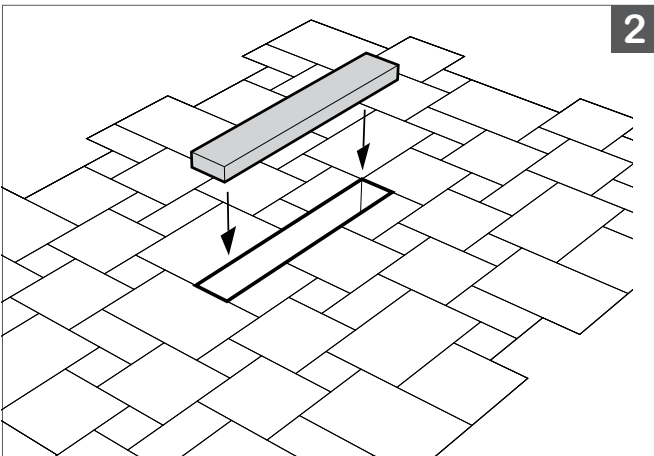
- There is potential danger of electrical shock when operating electrical components.
- Make sure power is turned off before installation.
- Allow for heat dissipation and adequate ventilation.

**FOR PAVERS AND TILE INSTALLATION**



1. Create gap for **R2626** between pavers or tile.

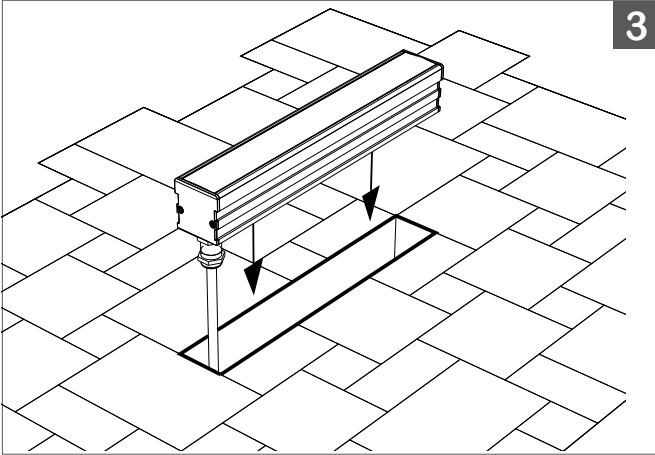
**NOTE:** The recessed depth must align **R2626** flush to ground level. Trim must not be above or below surface level to prevent water from accumulating on lens.



2. Insert foam base. Add or shave down foam base until optimal height is achieved for flush installation of **R2626**.

**NOTE:** Cut out space or leave gap in foam base for running leads.

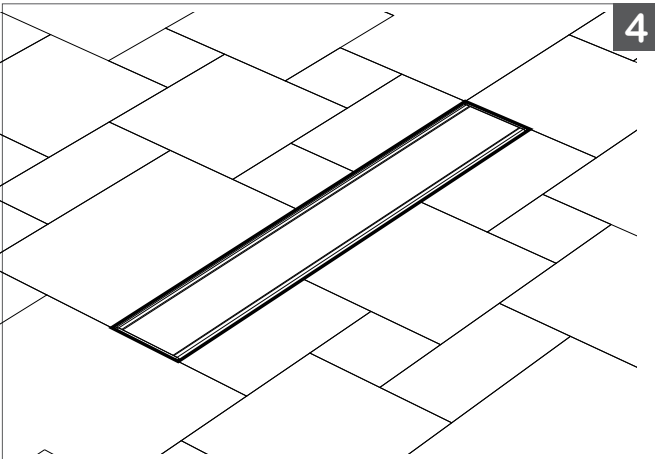




3.

Install and wire **R2626**.

**TIP:** Listed flexible conduit is recommended for in and out connections so to ease fixture position and adjustment during installation.



4.

A. Fine-tune leveling for flush fit, if required.  
B. Fill gaps with putty, sand, pea-gravel or cement.  
Clean off excess.

