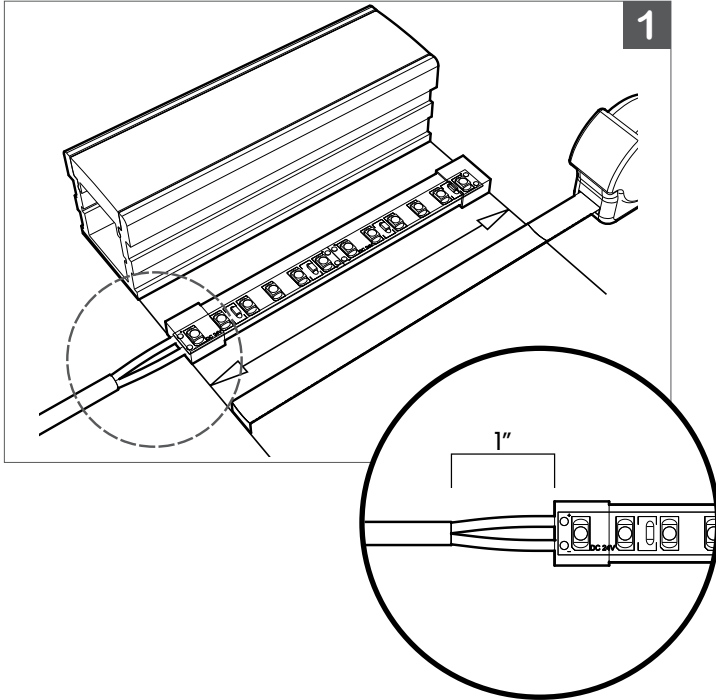




Please note that these instructions are guidelines only and in no way supersede any construction or installation standards. Local building and electrical codes should be consulted before installation.

ATTENTION

- There is potential danger of electrical shock when operating electrical components.
- Make sure power is turned off before installation.
- Allow for heat dissipation and adequate ventilation.

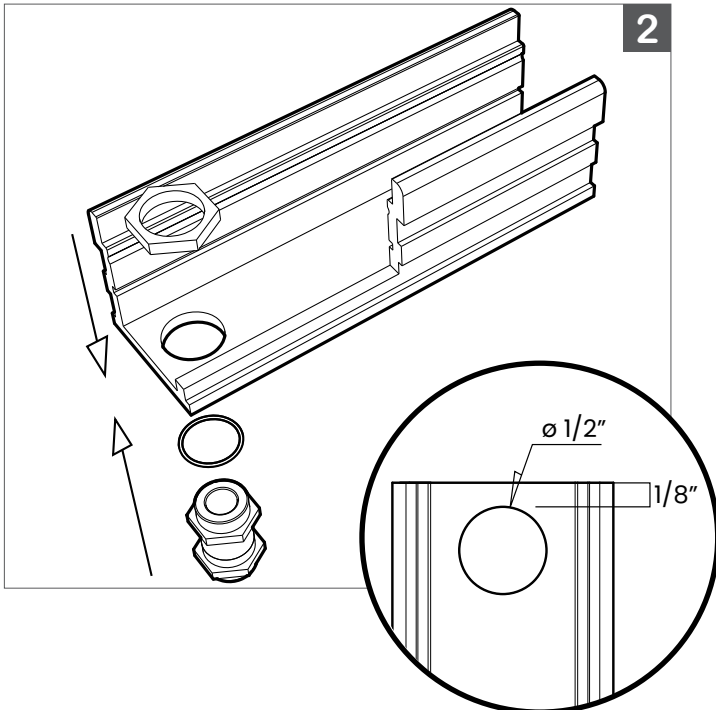


1.

- Measure **R2626** in parallel with BL Flexform Series to guarantee accurate coupling of components.
- Cut **R2626**.

TIP: Cut **R2626** optic and base track simultaneously.

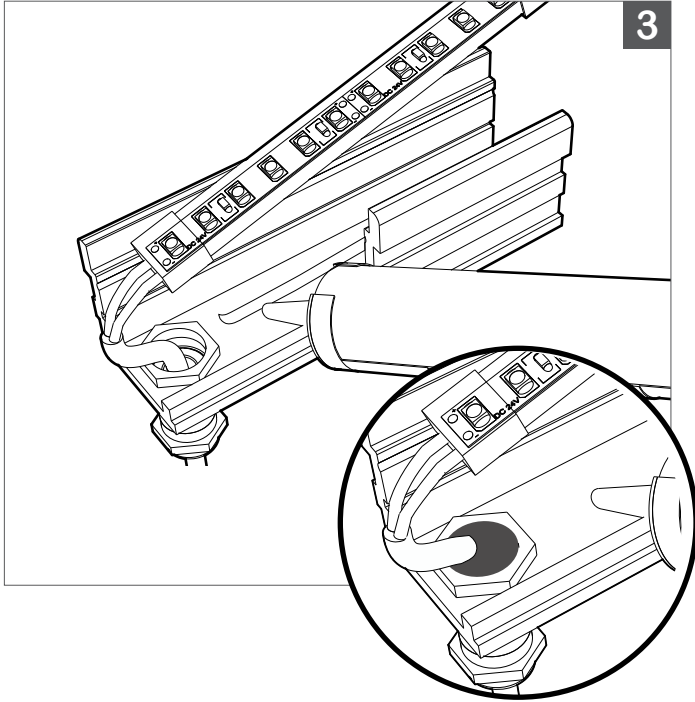
IMPORTANT: Strip outer jacket of Direct Burial Cable to expose approx. 1" of conductors for flexibility.



2.

- Bore a 1/2" hole in the track located approx. 1/8" from the edge.
- Install Cable Gland.



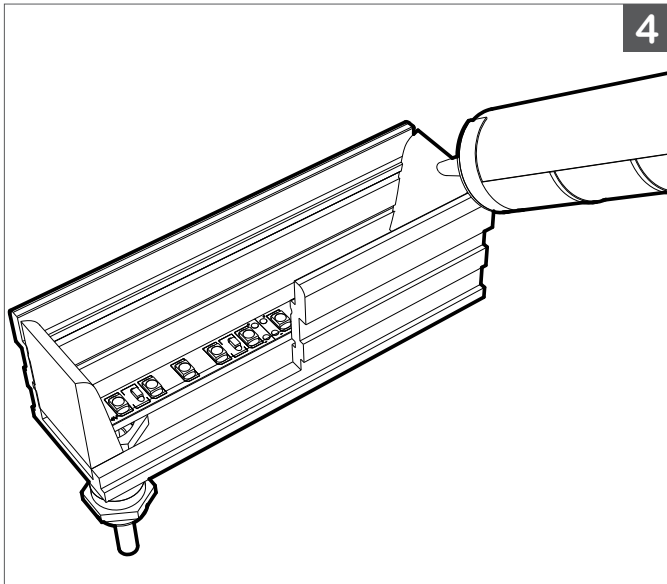


3.

A. Evenly bead adhesive along surface of **R2626** base track.

B. Pull BL Flexform Series leads through Cable Gland and mount PCB onto base track.

IMPORTANT: Fill gap in Cable Gland with silicone sealant and tighten.

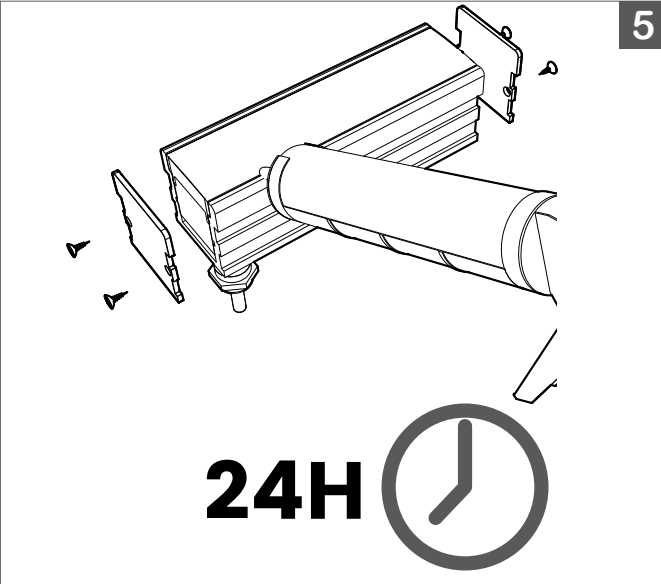


4.

Create "walls" of silicone sealant on both ends of **R2626**.

IMPORTANT: Be sure to seal any gaps between extrusion and "walls".





5.

- A. Install optic onto base track.
- B. Harness end caps onto base track with screws.
- C. Bead silicone sealant across edges of the optic.
- D. Clean off any excess silicone sealant while still wet.

TIP: Proceed with Step 5 before silicone sealant “walls” can cure to ensure a proper seal.

