

# Premium Cut Side V

BL Neonview

Diffused, Flexible, Linear LED Lighting,  
24VDC, Constant Voltage, Vertical Bend,  
Side Profile, Silicone, Single Color



Premium Cut Side V has a fully flexible Silicone encapsulated diffuser and is rated for a range of operating temperatures from -40° F to 131° F (-40° C to 55° C) for sustained ability to weather the elements, even in the most extreme environmental conditions. The unique vertical bending across the flat light surface is ideal for circular coves, contours and side-emitting light.

CLIENT	
PROJECT NAME	
LOCATION	
DATE	

Dot-free Seamless connections -40°F to 131°F (-40°C to 55°C)

0.72" (18.5mm) Cutting Increments

## Product Detail



Lighting	Lamp	LED, SMD 2835
	LED's Per Foot	33 LEDs/ft (108 LEDs/m)
	Beam Angle	120°
	Average Life	50,000 Hours
Electrical	Controls	0-10V, MLV, ELV, Phase-Cut, Triac, DMX, Bluetooth
	Input Voltage	24VDC
	Max Input Current	4.12A (White)
	Connections	18AWG, Copper Conductors
	Power Cable Length	Standard 10ft (3m). Also available in 16ft (5m) and 32ft (10m)
Mechanical	Circuit	Class 2
	Housing Construction	Injection Moulded White Silicone
	Minimum Bend Radius	5.9" (150mm)
Environmental	Operating Temperature	-40°F to 131°F (-40°C to 55°C)
	Ingress Protection	IP68
	Impact Protection	IK10
	Vibration Rating	3G
	Resistance	UV, Flame, Solvents and Saltwater Resistant
Certifications	cULus, CE, RoHS Compliant	



## Performance

CCT/Color		2200K	2700K	3000K	3500K	4000K	5700K	Red	Green	Blue	Amber	
Power	W/FT (W/m)	3.66 (12)						2.44 (8)	3.66 (12)		2.44 (8)	
Lumens	lm/FT (lm/m)	137 (450)	172 (565)	172 (565)	177 (580)	177 (580)	177 (580)	56 (185)	168 (550)	37 (120)	56 (185)	
Efficacy	lm/W	37	47	47	48	48	48	23	46	10	23	
CRI	CRI	80						-				
Increment	inch (mm)	0.72 (18.5)										
Max. Length	ft (m)	24ft 6in (7.5m)						35ft 11in (10.9m)	24ft 6in (7.5m)		35ft 11in (10.9m)	

## Ordering

Product Code	Series	Color	Input Voltage	IP Rating
PCSV	N		24	IP68
		2200K		
		2700K		
		3000K		
		3500K		
		4000K		
		5700K		
		Red		
		Green		
		Blue		
		Amber		

**Note:**  
Lengths, Lead Orientations & Mounting Accessories for Neonview must be confirmed at time of order.

**BL LIGHTING**  
ILLUMINATE EVERYTHING

111 - 8838 Heather St. Vancouver, BC, Canada. V6P 3S8  
P: 1-804-874-4405 E: info@bllighting.com  
Copyright © BL INNOVATIVE LIGHTING. All Rights Reserved.

Solid State Lighting is sensitive to power fluctuations. Surge protection is highly recommended for all LED lighting products and should be on a dedicated circuit to protect against premature failure. Lack of surge protection may void your warranty.

Designed & Assembled in North America.

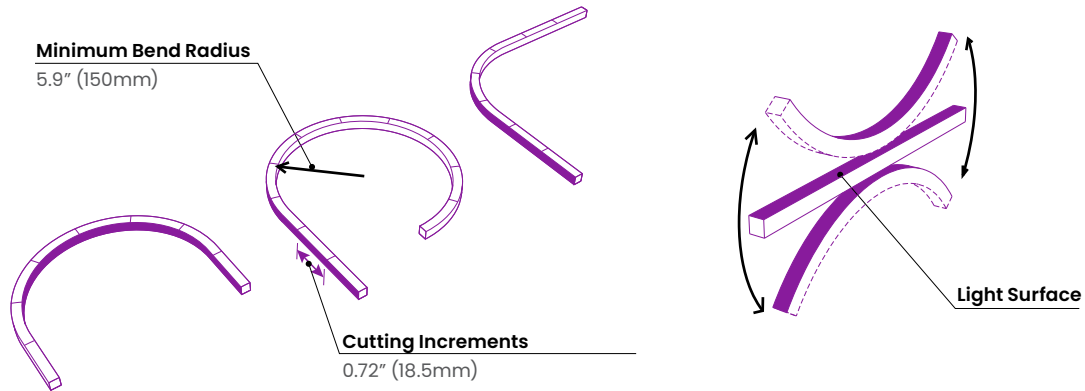
Specifications subject to change without notice. Please refer to our website at bllighting.com for current technical data.

For more information, please download the BL LIGHTING catalog

bllighting.com



## Minimum Bend Radius and Bend Orientation

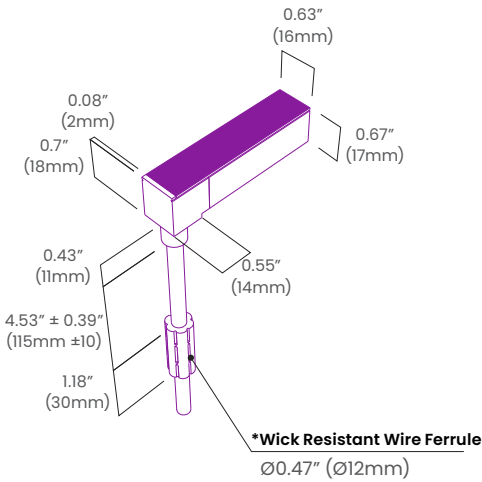


**BL Neonview Side V Series bends vertically**  
Horizontal bend option also available

## Dimensions & Lead Orientations

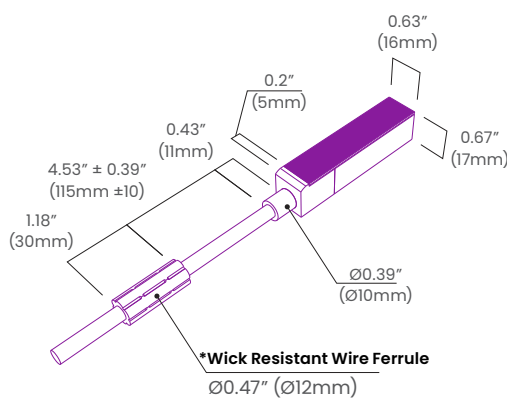
### Back Lead

NVS SL BC 68

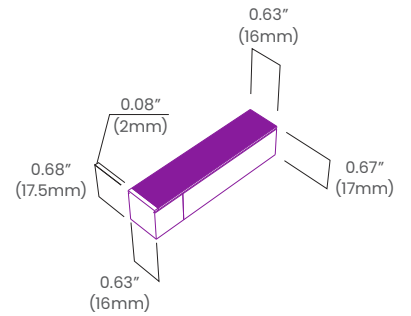


### End Lead

NVS SL EC 68

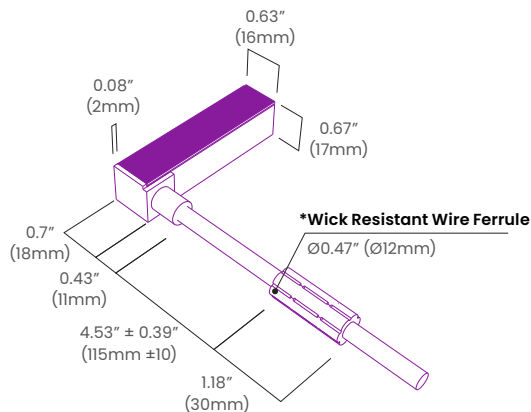


### End Cap



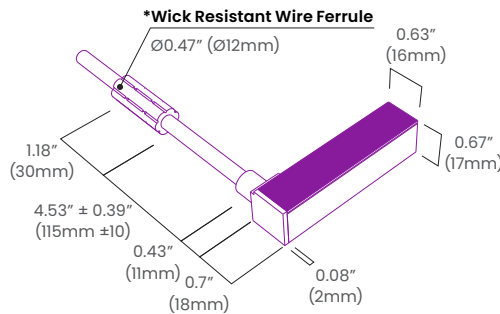
### Right Side Lead

NVS SL RC 68



### Left Side Lead

NVS SL LC 68



\*The Wick Resistant Wire Ferrule is built into the lead wire, 4.5" (115mm) from the BL Neonview Termination Connection, for additional moisture ingress protection. Removal of the Wick Resistant Wire Ferrule may void your warranty.



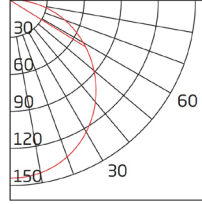
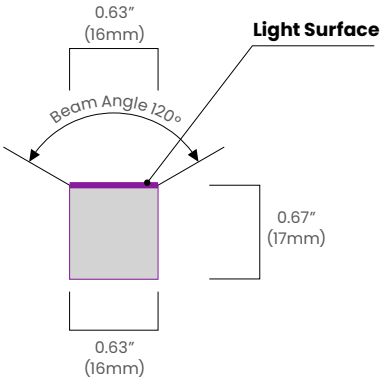
# Premium Cut Side V

BL Neonview

Diffused, Flexible, Linear LED Lighting,  
24VDC, Constant Voltage, Vertical Bend,  
Side Profile, Silicone, Single Color



## Beam Angle

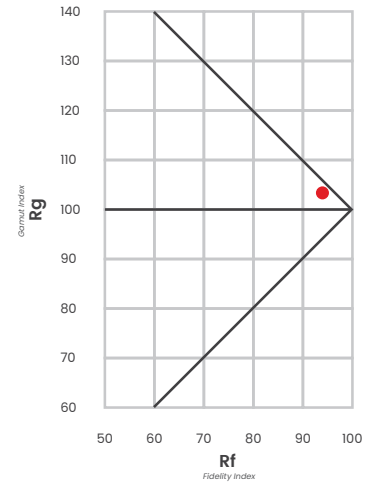
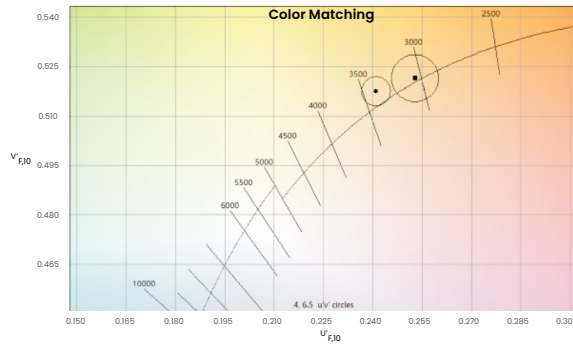
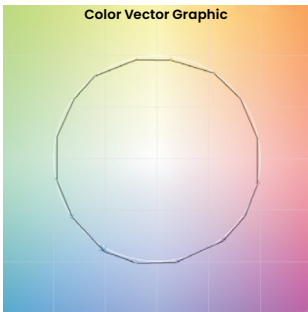


Unit: cd  
— C90/270

Average Beam Angle (50%): 113.2°

## TM-30

CCT	CRI	Rf	Rg
3000K	80	94	103



\*All results in accordance with ANSI C78.377 standard

**BL LIGHTING**  
ILLUMINATE EVERYTHING

111 - 8838 Heather St. Vancouver, BC, Canada. V6P 3S8  
P: 1-804-874-4405 E: info@blighting.com  
Copyright © BL INNOVATIVE LIGHTING. All Rights Reserved.

Solid State Lighting is sensitive to power fluctuations. Surge protection is highly recommended for all LED lighting products and should be on a dedicated circuit to protect against premature failure. Lack of surge protection may void your warranty.

Designed & Assembled in North America.

Specifications subject to change without notice. Please refer to our website at blighting.com for current technical data.

For more information, please download the BL LIGHTING catalog

blighting.com

