



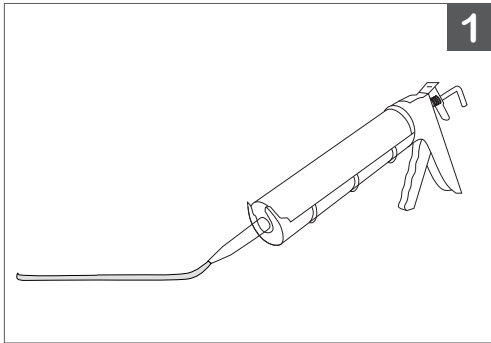
Please note that these instructions are guidelines only and in no way supersede any construction or installation standards. Local building and electrical codes should be consulted before installation.

### ATTENTION

- There is potential danger of electrical shock when operating electrical components.
- Make sure power is turned off before installation.
- Allow for heat dissipation and adequate ventilation.

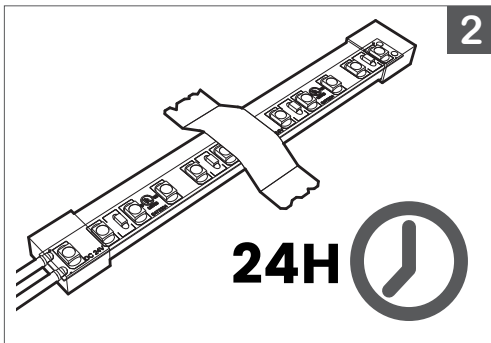
### ADHESIVE

Ideal for smooth and/or delicate surfaces



1. Evenly bead adhesive to surface at require length.

**IMPORTANT:** Ensure surface is clean and dry before applying adhesive.



2.

- A. Firmly gel **LED Tape** into adhesive.
- B. Secure **LED Tape** into position with masking tape. Allow adhesive to cure (24 hours) before removing masking tape.

