

Mira T

BL Fibersource

LED light engine designed for BL Fiberoptic
18W, 24VDC



Mira T is an efficient 18W LED illuminator, emitting a bright 3000K or 4000K white light output of 1820 lm. With a low profile and compact body measuring just 6.14"x6.29"x4.72" Mira T fits easily into small and narrow spaces, and can be dimmed manually or with 0-10V or DMX protocols. Perfect for small projects, niche accents, and Starfields.

Up to 1820lm Output

CLIENT	
PROJECT NAME	
LOCATION	
DATE	

Product Detail



Lighting	CCT	3000K, 4000K
	Average Life	36,000 Hours
Electrical	Controls	DMX, 0-10V, Manual Dimming
	Input Voltage	90V-264VAC
	PSU Output	24VDC
	Temp. Range	14°F to 113°F (-10°C to 45°C)
Mechanical	Housing Construction	Aluminium
	Environmental	IP20
	Aperture Diameter	1-3/16" (30mm)
	Weight	2.98lb (1.35kg)

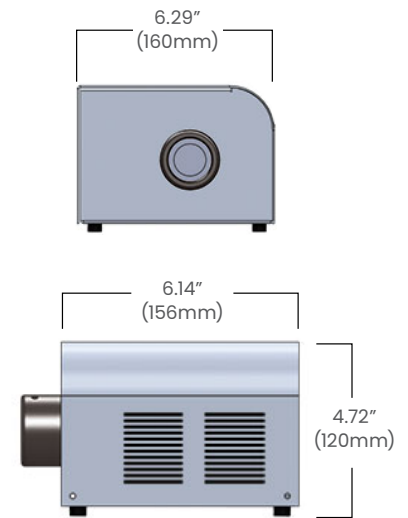
Performance

CCT/Color		3000K	4000K
Power	W/unit	18W	
Lumens	lm/unit	1770	1820
Efficacy	lm/W	98	101
CRI		80	

Ordering

Product Code	Series	Color	Effect	Controls	IP Rating
MRA T	FO	3000K 4000K	NO (No Wheel) CW (Color Wheel) TW (Twinkle Wheel)	Manual Dimming 010V DMX	IP20

Dimensions



BL LIGHTING ILLUMINATE EVERYTHING

111 - 8838 Heather St. Vancouver, BC, Canada. V6P 3S8
P: 1-804-874-4405 E: info@bllighting.com
Copyright © BL INNOVATIVE LIGHTING. All Rights Reserved.

Solid State Lighting is sensitive to power fluctuations. Surge protection is highly recommended for all LED lighting products and should be on a dedicated circuit to protect against premature failure. Lack of surge protection may void your warranty.

Designed & Assembled in North America.

Specifications subject to change without notice. Please refer to our website at bllighting.com for current technical data.

For more information, please download the BL LIGHTING catalog

bllighting.com

