

Mini Side V RGBW

BL Neonview

Diffused, Flexible, Linear LED Lighting,
24VDC, Constant Voltage, Vertical Bend,
Mini Side Profile, Silicone, Color Changing



With a thin and flexible 0.47" by 0.47" (12mm by 12mm) profile, Mini Side V RGBW is perfect for highlights, outlines, signs, and contours of any shape and size. With a tight bending radius of 1.97" (50mm), you can seamlessly integrate lines of dot free, high brightness light, into even the tiniest of architectural features. A great choice for illuminating small spaces such as in displays, under cabinets, in shelving and niches, Mini Side V RGBW renders smooth, uniform illumination up to 99 lumens per foot.

CLIENT	
PROJECT NAME	
LOCATION	
DATE	

Dot-free Seamless connections -40°F to 131°F (-40°C to 55°C) Color Changing

Product Detail



Lighting	Lamp	LED, SMD 3535+3535
	LED's Per Foot	73 LEDs/ft (240 LEDs/m)
	Beam Angle	120°
	Average Life	50,000 Hours
Electrical	Controls	DMX, Bluetooth
	Input Voltage	24VDC
	Max Input Current	4.12A
	Connections	20AWG, Copper Conductors
	Power Cable Length	Standard 10ft (3m). Also available in 16ft (5m) and 32ft (10m)
Mechanical	Circuit	Class 2
	Housing Construction	Injection Moulded White Silicone
	Minimum Bend Radius	1.97" (50mm)
	Operating Temperature	-40°F to 131°F (-40°C to 55°C)
Environmental	Ingress Protection	IP68
	Impact Protection	IK08
	Vibration Rating	3G
	Resistance	UV, Flame, Solvents and Saltwater Resistant
	Certifications	cULus, CE, RoHS Compliant



Performance

CCT/Color		RGB	RGBW (2700K)	RGBW (4000K)
Power	W/FT (W/m)	1.83(6)	2.75 (9)	
Lumens	lm/FT (lm/m)	50 (164)	85 (279)	85 (279)
Efficacy	lm/W	27	31	31
CRI	CRI	-	80 (white LED only)	
Increment	inch (mm)	1.97 (50)		
Max. Length	ft (m)	16.4 ft (5m)		

Ordering

Product Code	Series	CCT	Input Voltage	IP Rating
MNSVC	N		24	IP68
		RGB		
		RGBW (2700K)		
		RGBW (4000K)		

Note:
Lengths, Lead Orientations & Mounting Accessories for Neonview must be confirmed at time of order.

BL LIGHTING
ILLUMINATE EVERYTHING

111 - 8838 Heather St. Vancouver, BC, Canada. V6P 3S8
P: 1-804-874-4405 E: info@bllighting.com
Copyright © BL INNOVATIVE LIGHTING. All Rights Reserved.

Solid State Lighting is sensitive to power fluctuations. Surge protection is highly recommended for all LED lighting products and should be on a dedicated circuit to protect against premature failure. Lack of surge protection may void your warranty.

Designed & Assembled in North America.

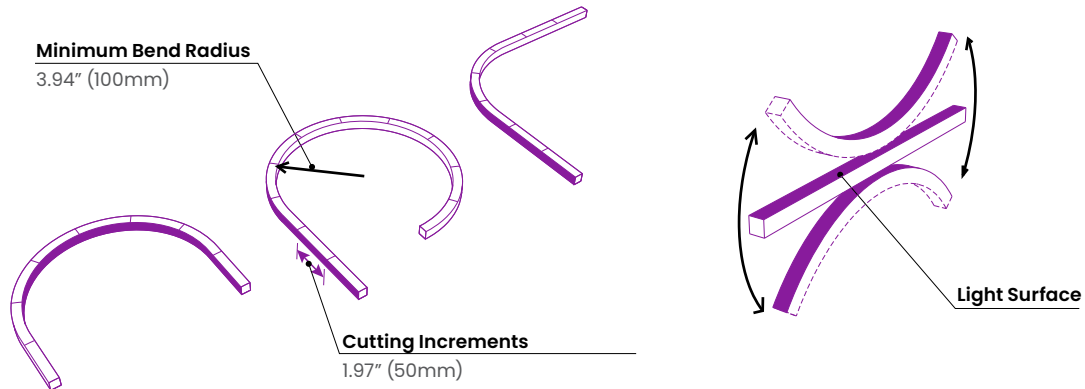
Specifications subject to change without notice. Please refer to our website at bllighting.com for current technical data.

For more information, please download the BL LIGHTING catalog

bllighting.com



Minimum Bend Radius and Bend Orientation

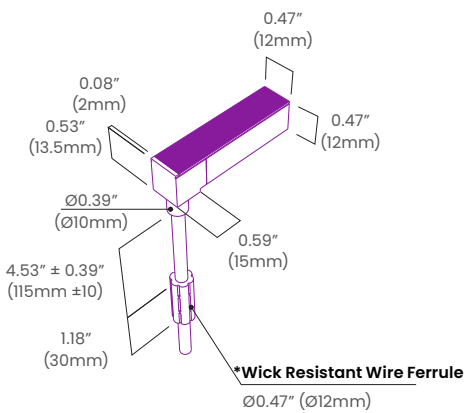


BL Neonview Mini Side VB Series bends vertically
Horizontal bend option also available.

Dimensions & Lead Orientations

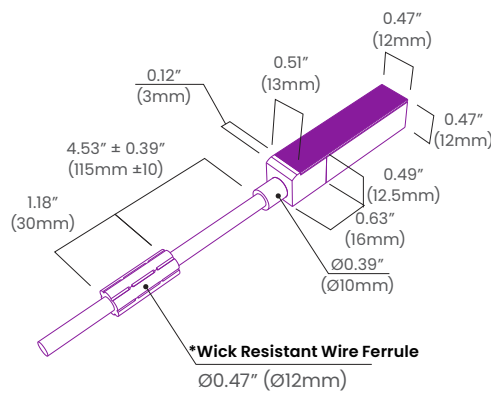
Back Lead

NVS RGBW MN SL BC 68

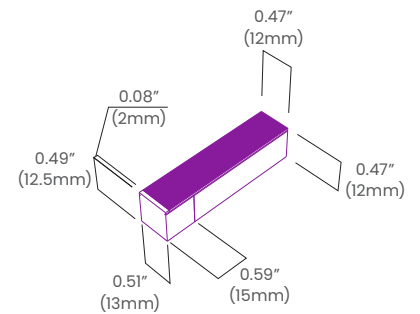


End Lead

NVS RGBW MN SLE C 68

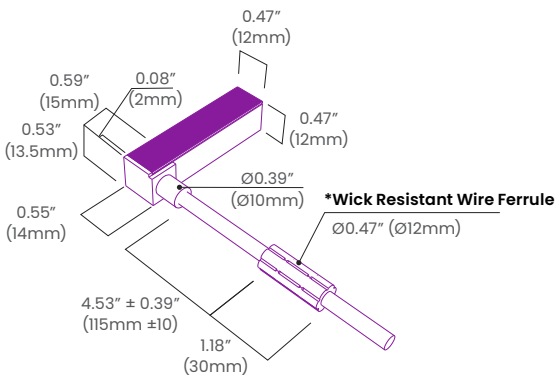


End Cap



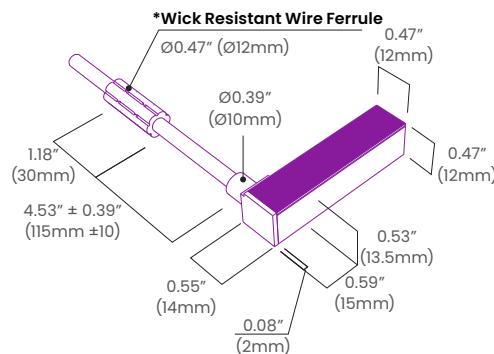
Right Side Lead

NVS RGBW MN SL RC 68



Left Side Lead

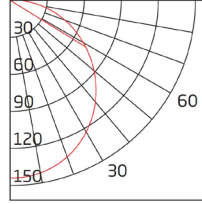
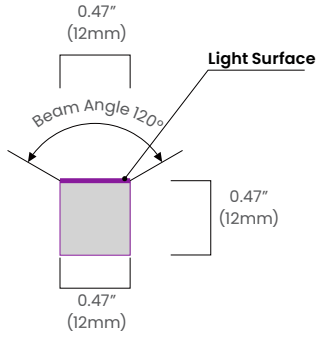
NVS RGBW MN SLC C 68



*The Wick Resistant Wire Ferrule is built into the lead wire, 4.5" (115mm) from the BL Neonview Termination Connection, for additional moisture ingress protection. Removal of the Wick Resistant Wire Ferrule may void your warranty.



Beam Angle



Unit: cd
— C90/270

Average Beam Angle (50%): 112°

