

# Mini Side H

BL Neonview

Diffused, Flexible, Linear LED Lighting,  
24VDC, Constant Voltage, Horizontal Bend,  
Mini Side Profile, Silicone, Single Color



With a thin and flexible 0.39" by 0.39" (10mm by 10mm) profile, Mini side H is perfect for highlights, outlines, signs, and contours of any shape and size. With a tight bending radius of 1.97" (50mm), you can seamlessly integrate lines of dot free, high brightness light, into even the tiniest of architectural features. A great choice for illuminating small spaces such as in displays, under cabinets, in shelving and niches, Mini side H renders smooth, uniform illumination up to 82 lumens per foot.

CLIENT	
PROJECT NAME	
LOCATION	
DATE	

**Dot-free** | **Seamless connections** | **-40°F to 131°F (-40°C to 55°C)**

## Product Detail



<b>Lighting</b>	Lamp	LED, SMD 2835
	LED's Per Foot	44 LEDs/ft (144 LEDs/m)
	Beam Angle	120°
	Average Life	50,000 Hours
<b>Electrical</b>	Controls	0-10V, MLV, ELV, Phase-Cut, Triac, DMX, Bluetooth
	Input Voltage	24VDC
	Max Input Current	4.12A (White)
	Connections	22AWG, Copper Conductors
	Power Cable Length	Standard 10ft (3m). Also available in 16ft (5m) and 32ft (10m)
<b>Mechanical</b>	Circuit	Class 2
	Housing Construction	Injection Moulded White Silicone
	Minimum Bend Radius	1.97" (50mm)
	Operating Temperature	-40°F to 131°F (-40°C to 55°C)
<b>Environmental</b>	Ingress Protection	IP68
	Impact Protection	IK08
	Vibration Rating	3G
	Resistance	UV, Flame, Solvents and Saltwater Resistant
	Certifications	cULus, CE, RoHS Compliant



## Performance

CCT/Color		2200K	2700K	3000K	3500K	4000K	5700K	Red	Green	Blue	Amber	
Power	W/FT (W/m)	1.37 (4.5)										
Lumens	lm/FT (lm/m)	61 (200)	64 (210)	64 (210)	64 (210)	70 (230)	70 (230)	24 (80)	82 (270)	15 (50)	15 (50)	
Efficacy	lm/W	45	47	47	47	51	51	18	60	11	11	
CRI	CRI	80						-				
Increment	inch (mm)	3.28 (83.3)										
Max. Length	ft (m)	49ft 2in (15m)										

## Ordering

Product Code	Series	CCT	Input Voltage	IP Rating
MNSH	N		24	IP68
		2200K		
		2700K		
		3000K		
		3500K		
		4000K		
		5700K		
		Red		
		Green		
		Blue		
		Amber		

**Note:**  
Lengths, Lead Orientations & Mounting Accessories for Neonview must be confirmed at time of order.

**BL LIGHTING**  
ILLUMINATE EVERYTHING

111 - 8838 Heather St. Vancouver, BC, Canada. V6P 3S8  
P: 1-804-874-4405 E: info@bllighting.com  
Copyright © BL INNOVATIVE LIGHTING. All Rights Reserved.

Solid State Lighting is sensitive to power fluctuations. Surge protection is highly recommended for all LED lighting products and should be on a dedicated circuit to protect against premature failure. Lack of surge protection may void your warranty.

Designed & Assembled in North America.

Specifications subject to change without notice. Please refer to our website at bllighting.com for current technical data.

For more information, please download the BL LIGHTING catalog

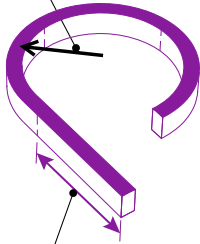
bllighting.com



## Minimum Bend Radius and Bend Orientation

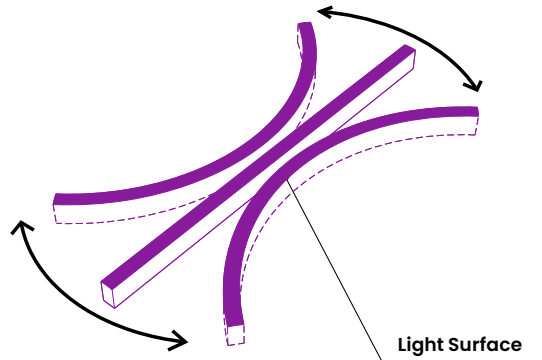
### Minimum Bend Radius

1.97" (50mm)



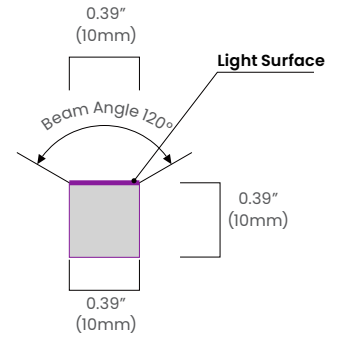
### Cutting Increments

3.28" (83.3mm)



**BL Neonview Mini Side HB Series bends horizontally**  
Vertical bend option also available

## Beam Angle & Viewing Angle

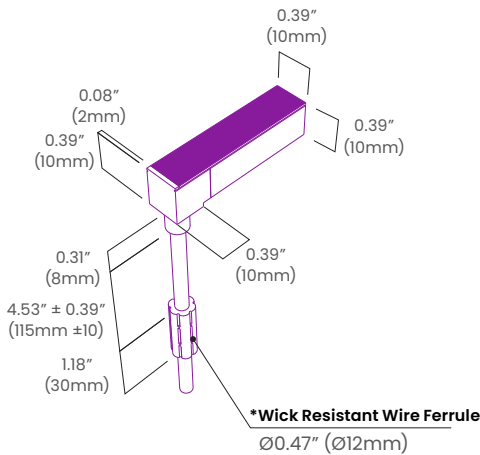


Average Beam Angle (50%): 112.3°

## Dimensions & Lead Orientations

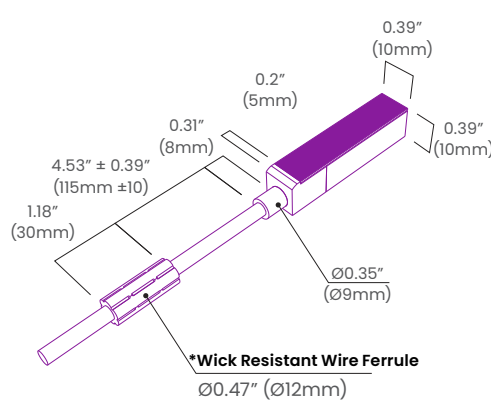
### Back Lead

NVS MN SL BC 68

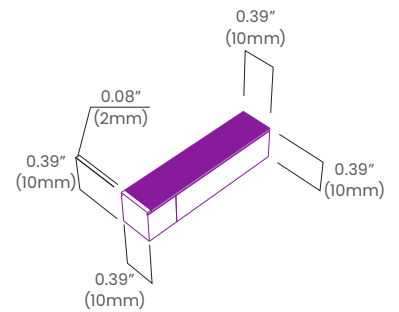


### End Lead

NVS MN SL EC 68

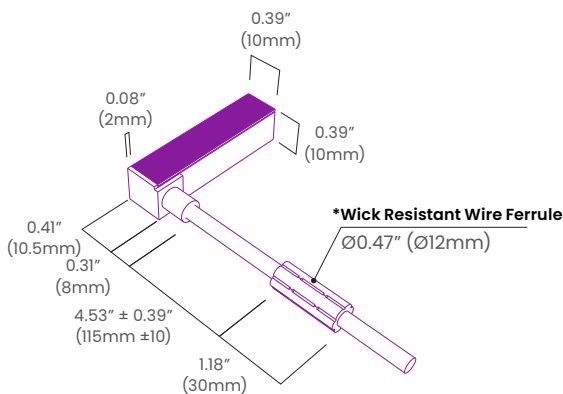


### End Cap



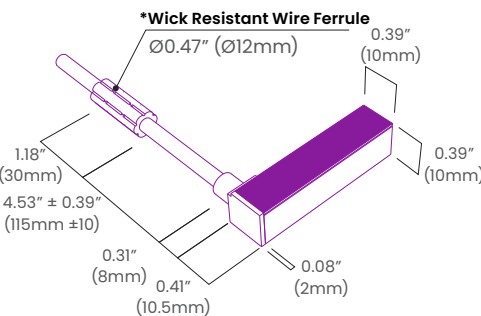
### Right Side Lead

NVS MN SL RC 68



### Left Side Lead

NVS MN SL LC 68



\*The Wick Resistant Wire Ferrule is built into the lead wire, 4.5" (115mm) from the BL Neonview Termination Connection, for additional moisture ingress protection. Removal of the Wick Resistant Wire Ferrule may void your warranty.



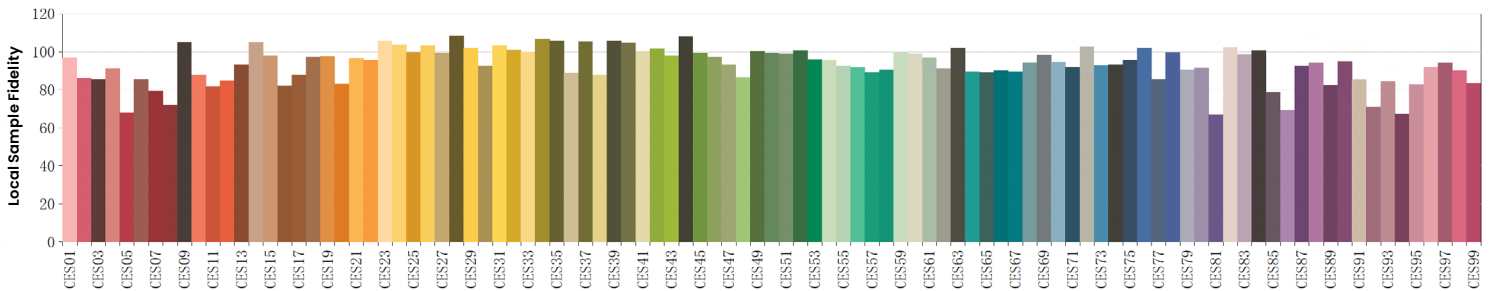
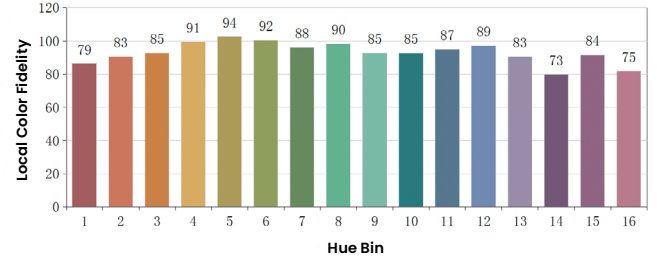
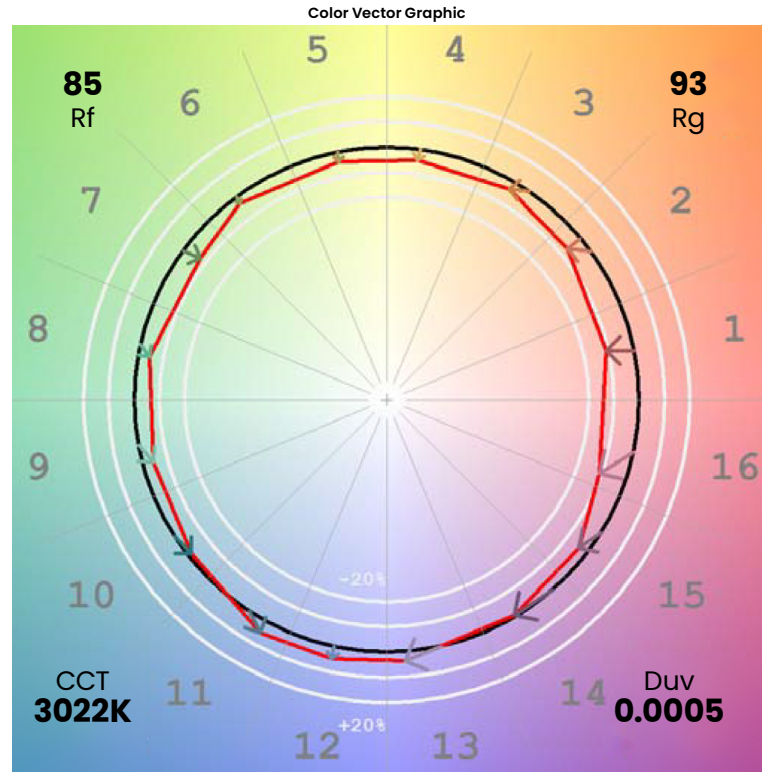
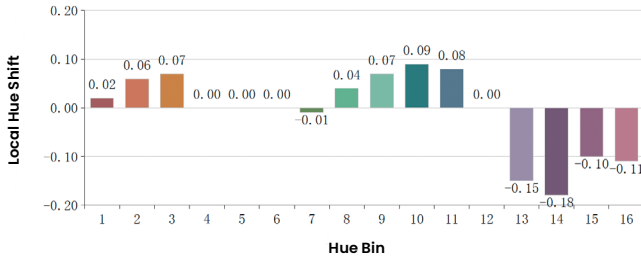
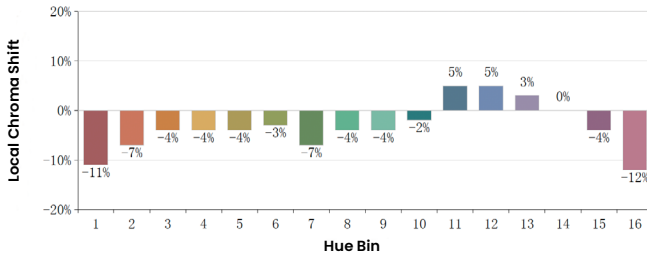
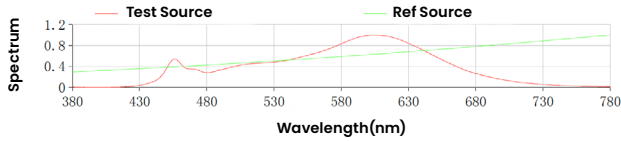
## Colorimetric Details

CCT	CRI	Rf	Rg
3000K	86	85	93

Rf: 85  
Rg: 93

CCT: 3022K  
Duv: 0.0005

u': 0.2496  
v': 0.5216



\*All results in accordance with ANSI C78.377 standard

