

Mini Flat

BL Neonview

Diffused, Flexible, Linear LED Lighting,
24VDC, Constant Voltage
Mini Flat Profile, Silicone, Single Color

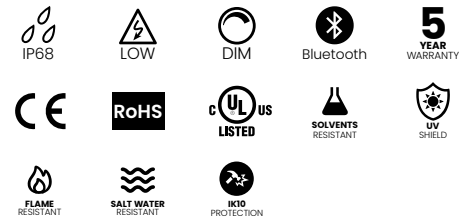


Mini Flat is perfect for highlights, outlines, signs, and contours of any shape and size, and with a tight bending radius of just 1.77" (45mm), you can seamlessly integrate lines of dot free, high brightness light, into even the tiniest of architectural features. A great choice for illuminating small spaces such as in displays, under cabinets, in shelving and niches, Mini Flat renders smooth, uniform illumination. Wet location IP68 rated injection molded terminations provide superior weatherability and allow for free configuration of lengths.

CLIENT	
PROJECT NAME	
LOCATION	
DATE	

Dot-free Seamless connections -40°F to 131°F (-40°C to 55°C)

Product Detail



Lighting	Lamp	LED, SMD 2835
	LED's Per Foot	21 LEDs/ft (72 LEDs/m)
	Beam Angle	120°
	Average Life	50,000 Hours
Electrical	Controls	0-10V, MLV, ELV, Phase-Cut, Triac, DMX, Bluetooth
	Input Voltage	24VDC
	Max Input Current	4.12A (White)
	Connections	18AWG, Copper Conductors
	Power Cable Length	Standard 10ft (3m). Also available in 16ft (5m) and 32ft (10m)
Mechanical	Circuit	Class 2
	Housing Construction	Injection Moulded White Silicone
	Minimum Bend Radius	1.77" (45mm)
Environmental	Operating Temperature	-40°F to 131°F (-40°C to 55°C)
	Ingress Protection	IP68
	Impact Protection	IK10
	Vibration Rating	-
	Resistance	UV, Flame, Solvents and Saltwater Resistant
Certifications	cULus, CE, RoHS Compliant	

Performance

CCT/Color		2200K	2700K	3000K	3500K	4000K	5700K	Red	Green	Blue	Amber	
Power	W/FT (W/m)	1.37 (4.5)						1.07 (3.5)	1.37 (4.5)		1.07 (3.5)	
Lumens	lm/FT (lm/m)	34 (110)	40 (130)	40 (130)	40 (130)	40 (130)	40 (130)	15 (50)	40 (130)	8 (25)	15 (50)	
Efficacy	lm/W	25	29	29	29	29	29	14	29	6	14	
CRI	CRI	80						-				
Increment	inch (mm)	3.28 (83.3)						4.92 (125)	3.28 (83.3)		4.92 (125)	
Max. Length	ft (m)	49ft 2in (15m)										

Ordering

Product Code	Series	CCT/Color	Input Voltage	IP Rating
MNF	N		24	IP68
		2200K		
		2700K		
		3000K		
		3500K		
		4000K		
		5700K		
		Red		
		Green		
		Blue		
		Amber		

Note:
Lengths, Lead Orientations & Mounting Accessories for Neonview must be confirmed at time of order.

BL LIGHTING
ILLUMINATE EVERYTHING

111 - 8838 Heather St. Vancouver, BC, Canada. V6P 3S8
P: 1-804-874-4405 E: info@bllighting.com
Copyright © BL INNOVATIVE LIGHTING. All Rights Reserved.

Solid State Lighting is sensitive to power fluctuations. Surge protection is highly recommended for all LED lighting products and should be on a dedicated circuit to protect against premature failure. Lack of surge protection may void your warranty.

Designed & Assembled in North America.

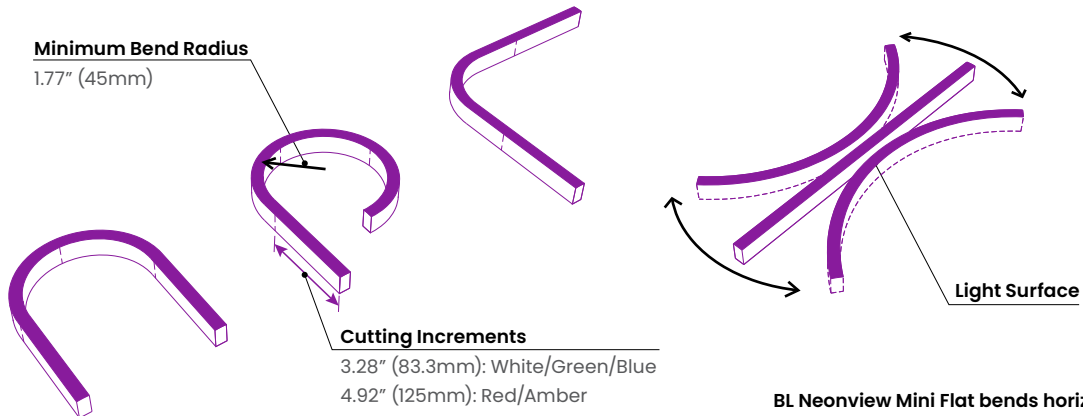
Specifications subject to change without notice. Please refer to our website at bllighting.com for current technical data.

For more information, please download the BL LIGHTING catalog

bllighting.com



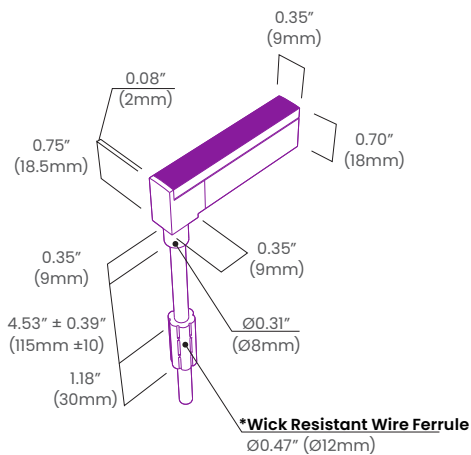
Minimum Bend Radius and Bend Orientation



Dimensions & Lead Orientations

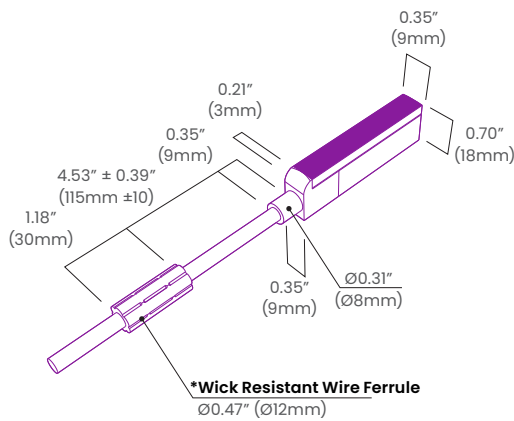
Back Lead

NVS MN FT BC 68

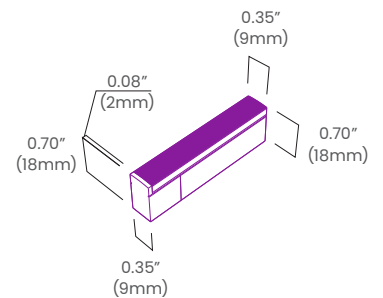


End Lead

NVS MN FT EC 68

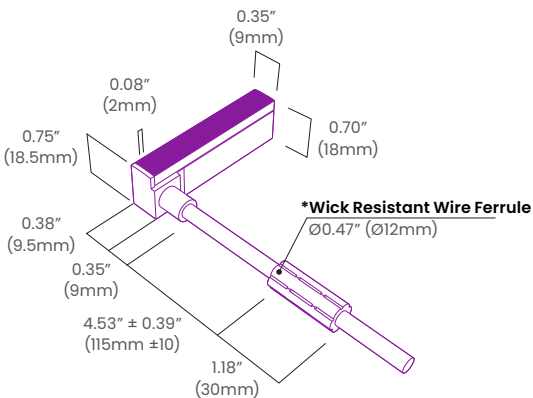


End Cap



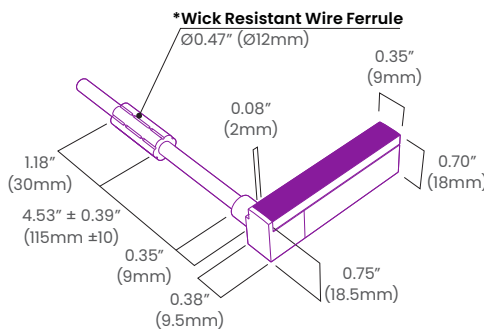
Right Side Lead

NVS MN FT RC 68



Left Side Lead

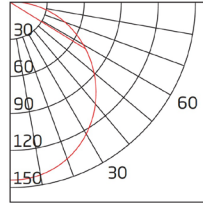
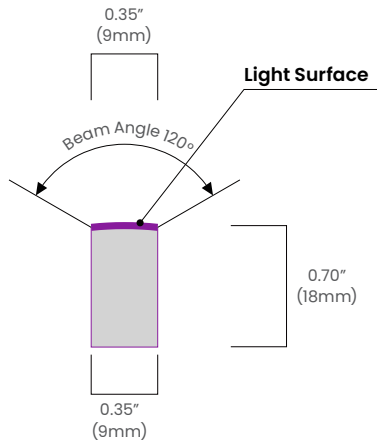
NVS MN FT LC 68



*The Wick Resistant Wire Ferrule is built into the lead wire, 4.5" (115mm) from the BL Neonview Termination Connection, for additional moisture ingress protection. Removal of the Wick Resistant Wire Ferrule may void your warranty.



Beam Angle

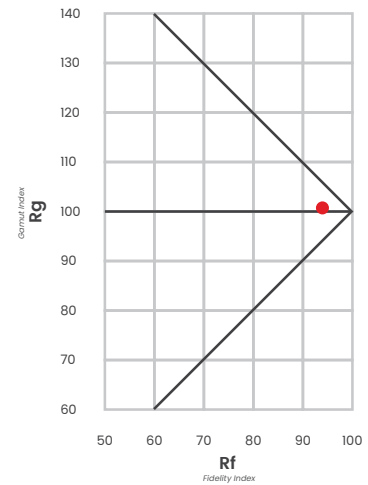
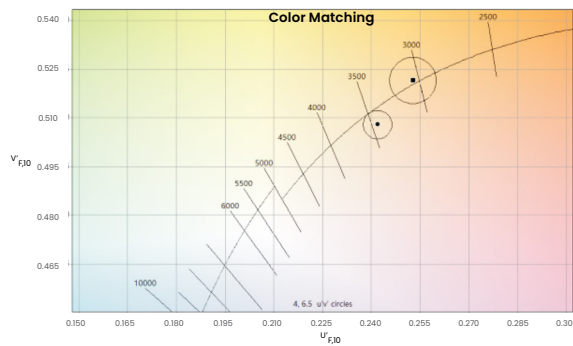
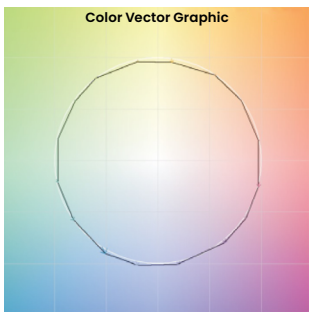


Unit: cd
— C90/270

Average Beam Angle (50%): 108.8°

TM-30

CCT	CRI	Rf	Rg
3000K	80	94	101



*All results in accordance with ANSI C78.377 standard

