

Line Flat

BL Neonview

Diffused, Flexible, Linear LED Lighting,
Flat Profile, 120VAC

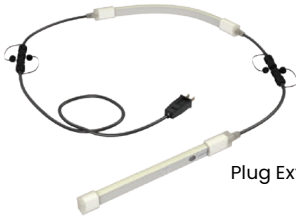


The BL Neonview Series family of direct-view, linear lighting products are best-in-class, fully flexible, specification-grade customizable LED systems for indoor or outdoor use. With Line Flat you can achieve run lengths up to 130FT from a single 120V power cable! The flexible, flat shaped diffuser bends horizontally and emits a dot free, vivid line of concentrated light, up to 137 lm/ft, with a 160° viewing angle. Ideal for building outlines, facades, signage and architectural accents. Double-injection molded terminations provide great weather protection, and cables are configurable for hard-wiring or simply plug and play. Line Flat is available in your choice of single color, and a wide variety of standard and custom CCT values.

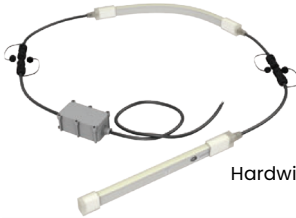
CLIENT	
PROJECT NAME	
LOCATION	
DATE	

Dot-free **120VAC input** **-4°F to 113°F (-20°C to 45°C)**

Product Detail



Plug Extendable



Hardwired Extendable



Lighting	Lamp	LED, SMD 5050
	LED's Per Foot	27 LEDs/ft (84 LEDs/m)
	Beam Angle	120°
Electrical	Average Life	50,000 Hours
	Input Voltage	120VAC
	Connections	Hardwired (HP), Male Plug-in Connector (PP)
Mechanical	Housing Construction	Injection Moulded White PVC
	Maximum Run Length	130' (39.6m)
	Medial Bend Radius	2.36" (60mm)
	Mounting	Clip, Track
	Connection	Factory installed, double injection molded
Environmental	Operating Temperature	-4°F to 113°F (-20°C to 45°C)
	Ingress Protection	IP65
	Certifications	ETL

Performance

CCT/Color		2200K	2700K	3000K	3500K	4000K	5700K	Red	Green	Blue	Amber
Power	W/FT (W/m)	3.05 (10)									
Lumens	lm/FT (lm/m)	91 (300)	107 (350)	107 (350)	107 (350)	107 (350)	107 (350)	67 (220)	137 (450)	24 (80)	67 (220)
Efficacy	lm/W	30	35	35	35	35	35	22	45	8	22
CRI	CRI	80						-	-	-	-
Increment	inch (mm)	3.28 (83.3)						4.92 (125)	3.28 (83.3)	3.28 (83.3)	4.92 (125)
Max. Length	ft (m)	130 (39.6)									

Ordering

Product Code	Series	CCT/Color	Input Voltage	IP Rating
FL	N		120	IP65
		2200K		
		2700K		
		3000K		
		3500K		
		4000K		
		5700K		
		Red		
		Green		
		Blue		
		Amber		

Note:
Lengths, Lead Orientations & Mounting Accessories for Neonview must be confirmed at time of order.

BL LIGHTING
ILLUMINATE EVERYTHING

111 - 8838 Heather St. Vancouver, BC, Canada. V6P 3S8
P: 1-804-874-4405 E: info@bllighting.com
Copyright © BL INNOVATIVE LIGHTING. All Rights Reserved.

Solid State Lighting is sensitive to power fluctuations. Surge protection is highly recommended for all LED lighting products and should be on a dedicated circuit to protect against premature failure. Lack of surge protection may void your warranty.

Designed & Assembled in North America.

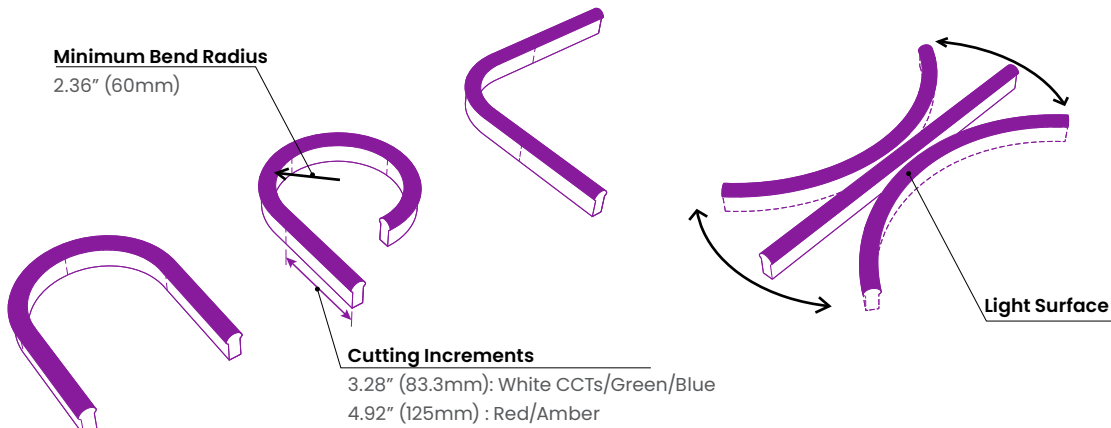
Specifications subject to change without notice. Please refer to our website at bllighting.com for current technical data.

For more information, please download the BL LIGHTING catalog

bllighting.com



Minimum Bend Radius and Bend Orientation

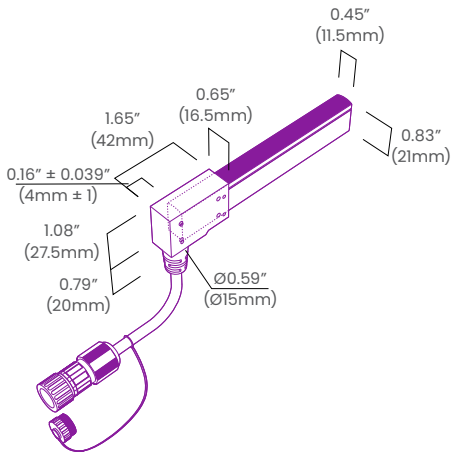


BL Neonview Line Flat Series bends horizontally

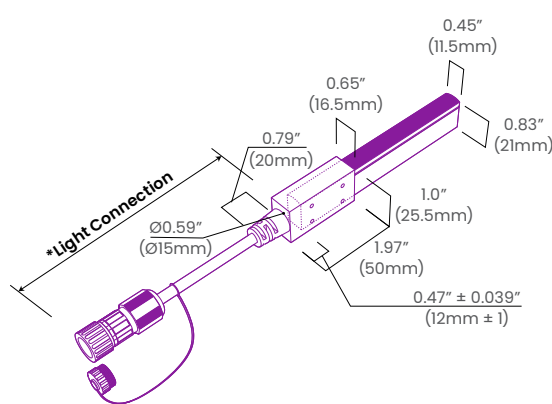
Vertical bend option available on BL Neonview Line Side Series

Dimensions & Lead Orientations

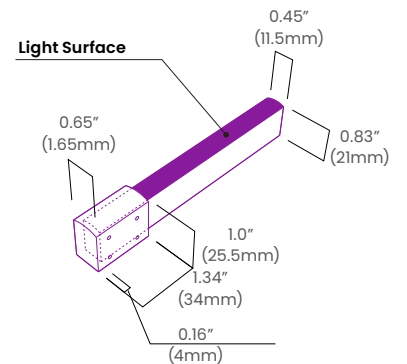
Back Lead



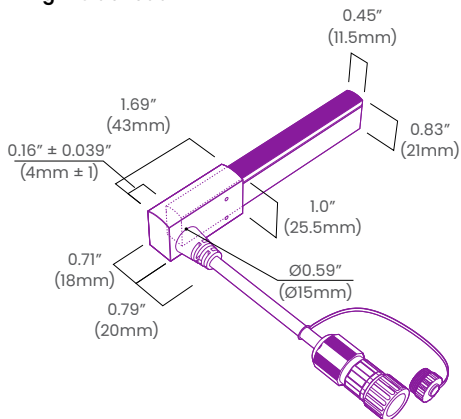
End Lead



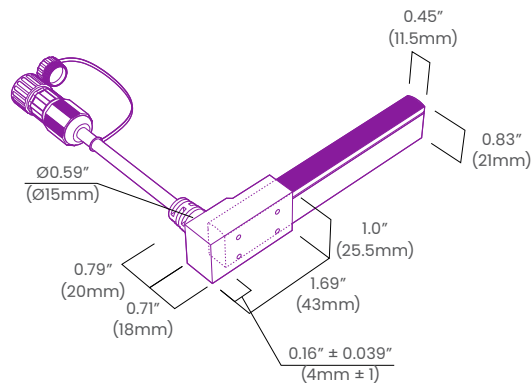
End Cap



Right Side Lead



Left Side Lead

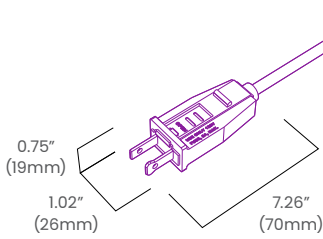


*Light Connection
Standard Length: 1ft (0.3 m)
Length can be customized to
9.84ft (3m), 16.4ft (5m), 32.8ft (10m)

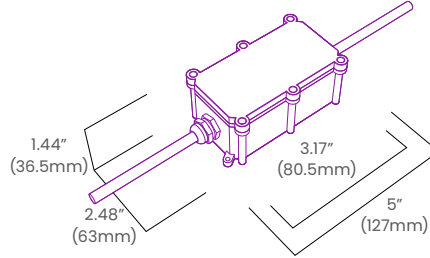


Connector & Accessories Dimensions

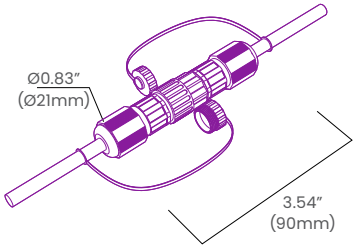
Power Plugin



Fuse Box



Male/Female Connectors

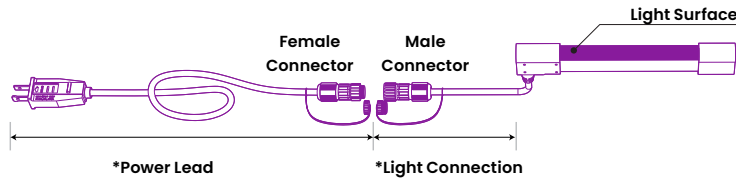


120VAC Connection Options

Plug Extendable

Back Lead

NV LINE FT PG BC 65



End Lead

NV LINE FT PG EC 65



Right Lead

NV LINE FT PG RC 65



Left Lead

NV LINE FT PG LC 65



**Power Lead*
Standard Length: 6ft (1.8m)
Length can be customized to
9.84ft (3m), 16.4ft (5m), 32.8ft (10m)

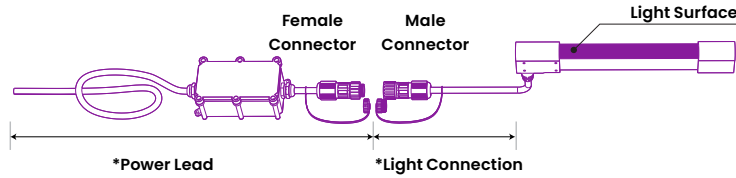
**Light Connection*
Standard Length: 1ft (0.3m)
Length can be customized to
9.84ft (3m), 16.4ft (5m), 32.8ft (10m)

**Max. Light Delivery Length ≤ 20m*

Hardwire Extendable

Back Lead

NV LINE FT HW BC 65



End Lead

NV LINE FT HW EC 65



Right Lead

NV LINE FT HW RC 65



Left Lead

NV LINE FT HW LC 65



**Power Lead*
Standard Length: 6ft (1.8m)
Length can be customized to
9.84ft (3m), 16.4ft (5m), 32.8ft (10m)

**Light Connection*
Standard Length: 1ft (0.3m)
Length can be customized to
9.84ft (3m), 16.4ft (5m), 32.8ft (10m)

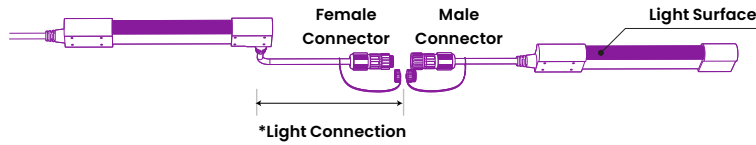
**Max. Light Delivery Length ≤ 20m*



Extended Segment - Up to 130ft (40m)

Back Lead

NVJC LINE FT BC 65



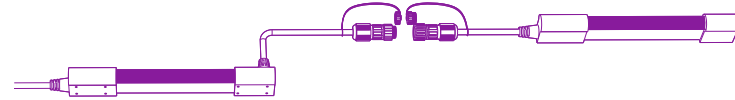
End Lead

NVJC LINE FT EC 65



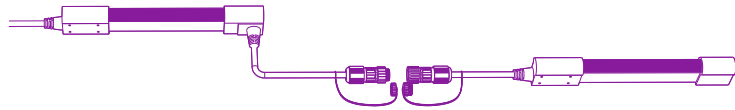
Right Lead

NVJC LINE FT RC 65



Left Lead

NVJC LINE FT LC 65



*Light Connection
Standard Length: 1ft (0.3m)
Length can be customized to
9.84ft (3m), 16.4ft (5m), 32.8ft (10m)

