

Line Dome

BL Neonview

Diffused, Flexible, Linear LED Lighting,
Dome Profile, 120VAC

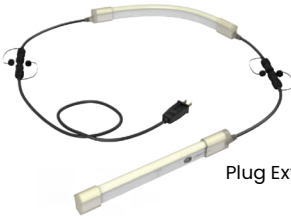


The BL Neonview Series family of direct-view, linear lighting products are best-in-class, fully flexible, specification-grade customizable LED systems for indoor or outdoor use. With Line Dome you can achieve run lengths up to 130FT from a single 120V power cable! The flexible, Dome shaped lens profile bends horizontally and delivers uniform, dot free linear light, up to 128lm/ft, with a wide 270° viewing angle. Ideal for building outlines, facades, signage and architectural accents. Double-injection molded terminations provide great weather protection, and cables are configurable for hard-wiring or simply plug and play. Line Dome is available in your choice of single color, and a wide variety of standard and custom CCT values.

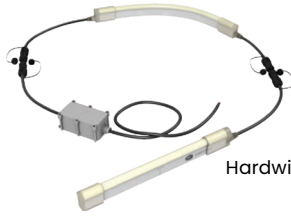
| | |
|---------------------|--|
| CLIENT | |
| PROJECT NAME | |
| LOCATION | |
| DATE | |

Dot-free **120VAC input** **-4°F to 113°F (-20°C to 45°C)**

Product Detail



Plug Extendable



Hardwired Extendable



| | | |
|----------------------|-----------------------|---|
| Lighting | Lamp | LED, SMD 5050 |
| | LED's Per Foot | 27 LEDs/ft (84 LEDs/m) |
| | Beam Angle | 160° |
| | Average Life | 50,000 Hours |
| Electrical | Controls | ELV |
| | Input Voltage | 120VAC |
| | Connections | Hardwired (HP), Male Plug-in Connector (PP) |
| Mechanical | Housing Construction | Injection Moulded White PVC |
| | Maximum Run Length | 130' (39.6m) |
| | Medial Bend Radius | 2.36" (60mm) |
| | Mounting | Clip, Track |
| | Connection | Factory installed, double injection molded |
| Environmental | Operating Temperature | -4°F to 113°F (-20°C to 45°C) |
| | Ingress Protection | IP65 |
| | Certifications | ETL |

Performance

| CCT/Color | | 2200K | 2700K | 3000K | 3500K | 4000K | 5700K | Red | Green | Blue | Amber |
|--------------------|--------------|-------------|-----------|-----------|-----------|-----------|-----------|------------|-------------|-------------|------------|
| Power | W/FT (W/m) | 3.05 (10) | | | | | | | | | |
| Lumens | lm/FT (lm/m) | 104 (340) | 128 (420) | 128 (420) | 128 (420) | 128 (420) | 128 (420) | 76 (250) | 159 (520) | 27 (90) | 76 (250) |
| Efficacy | lm/W | 34 | 42 | 42 | 42 | 42 | 42 | 25 | 52 | 9 | 25 |
| CRI | CRI | 80 | | | | | | - | - | - | - |
| Increment | inch (mm) | 3.28 (83.3) | | | | | | 4.92 (125) | 3.28 (83.3) | 3.28 (83.3) | 4.92 (125) |
| Max. Length | ft (m) | 130 (39.6) | | | | | | | | | |

Ordering

| Product Code | Series | CCT/Color | Input Voltage | IP Rating |
|--------------|--------|-----------|---------------|-----------|
| DL | N | | 120 | IP65 |
| | | 2200K | | |
| | | 2700K | | |
| | | 3000K | | |
| | | 3500K | | |
| | | 4000K | | |
| | | 5700K | | |
| | | Red | | |
| | | Green | | |
| | | Blue | | |
| | | Amber | | |

Note:
Lengths, Lead Orientations & Mounting Accessories for Neonview must be confirmed at time of order.

BL LIGHTING
ILLUMINATE EVERYTHING

111 - 8838 Heather St. Vancouver, BC, Canada. V6P 3S8
P: 1-804-874-4405 E: info@blighting.com
Copyright © BL INNOVATIVE LIGHTING. All Rights Reserved.

Solid State Lighting is sensitive to power fluctuations. Surge protection is highly recommended for all LED lighting products and should be on a dedicated circuit to protect against premature failure. Lack of surge protection may void your warranty.

Designed & Assembled in North America.

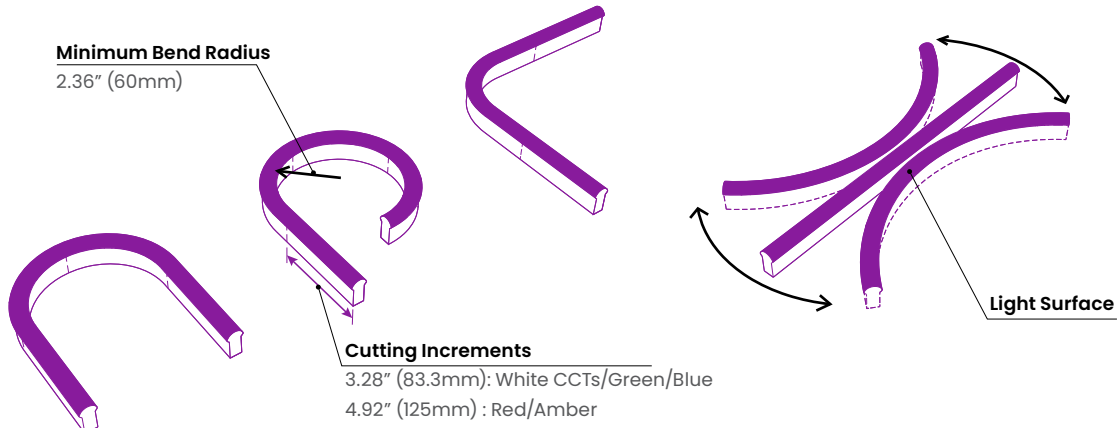
Specifications subject to change without notice. Please refer to our website at blighting.com for current technical data.

For more information, please download the BL LIGHTING catalog

blighting.com



Minimum Bend Radius and Bend Orientation

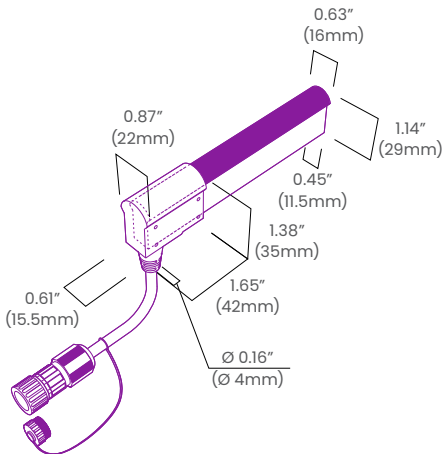


BL Neonview Line Dome Series bends horizontally

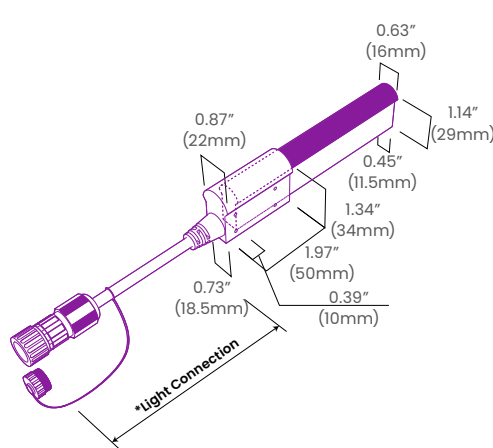
Vertical bend option available on BL Neonview Line Side Series

Dimensions & Lead Orientations

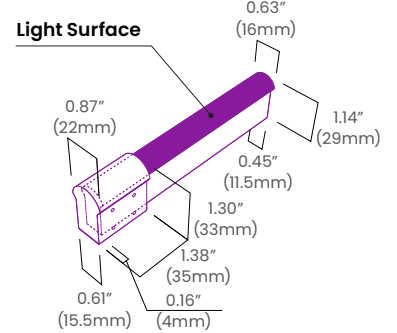
Back Lead



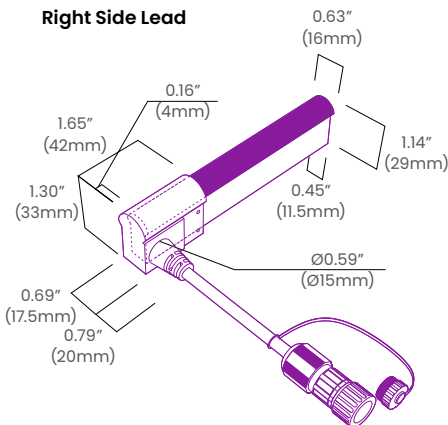
End Lead



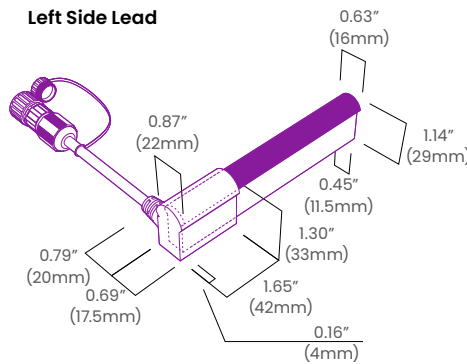
End Cap



Right Side Lead



Left Side Lead

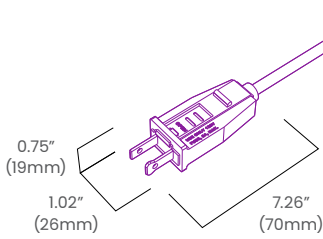


**Light Connection*
Standard Length: 1ft (0.3 m)
Length can be customized to
9.84ft (3m), 16.4ft (5m), 32.8ft (10m)

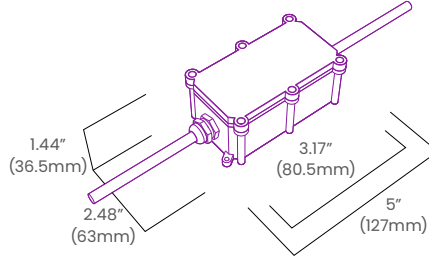


Connector Dimensions

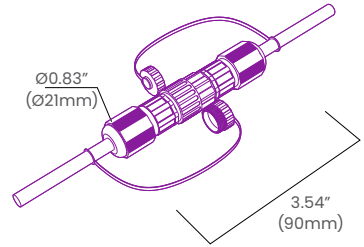
Power Plugin



Fuse Box



Male/Female Connectors

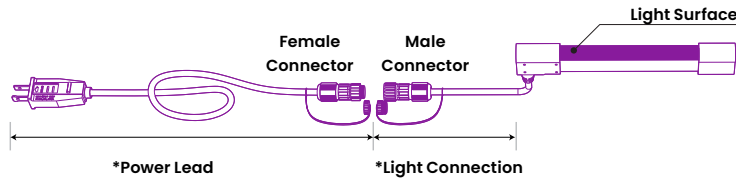


120VAC Connection Options

Plug Extendable

Back Lead

NV LINE DM PG BC 65



End Lead

NV LINE DM PG EC 65



Right Lead

NV LINE DM PG RC 65



Left Lead

NV LINE DM PG LC 65



**Power Lead*
Standard Length: 6ft (1.8m)
Length can be customized to
9.84ft (3m), 16.4ft (5m), 32.8ft (10m)

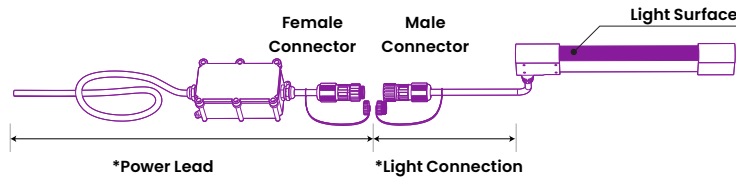
**Light Connection*
Standard Length: 1ft (0.3m)
Length can be customized to
9.84ft (3m), 16.4ft (5m), 32.8ft (10m)

**Max. Light Delivery Length ≤ 20m*

Hardwire Extendable

Back Lead

NV LINE DM HW BC 65



End Lead

NV LINE DM HW EC 65



Right Lead

NV LINE DM HW RC 65



Left Lead

NV LINE DM HW LC 65



**Power Lead*
Standard Length: 6ft (1.8m)
Length can be customized to
9.84ft (3m), 16.4ft (5m), 32.8ft (10m)

**Light Connection*
Standard Length: 1ft (0.3m)
Length can be customized to
9.84ft (3m), 16.4ft (5m), 32.8ft (10m)

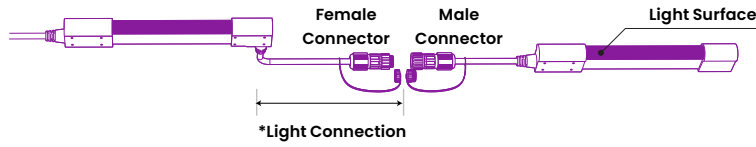
**Max. Light Delivery Length ≤ 20m*



Extended Segment - Up to 130ft (40m)

Back Lead

NVJC LINE DM BC 65



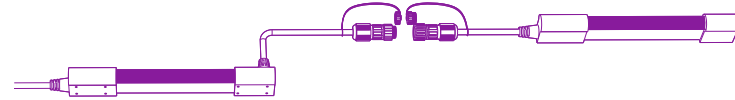
End Lead

NVJC LINE DM EC 65



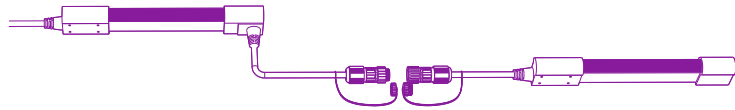
Right Lead

NVJC LINE DM RC 65



Left Lead

NVJC LINE DM LC 65



*Light Connection
Standard Length: 1ft (0.3m)
Length can be customized to
9.84ft (3m), 16.4ft (5m), 32.8ft (10m)

