

LNR3069 direct view, glare-free in-grade recessed walk over linear lights are engineered for flush mount installations and ideal for wayfinding, delineation, accent and safety lighting in floor, ground and wall installations. Solidly constructed with up to 335lbf weight bearing capacity, IP67 rating, lightweight aluminum housing, and weatherproof quick connectors for ease of installation. The channel is an excellent heat sink, and engineered with a drain channel, preventing permanent submersion of the IP67 rated LED housed within, ensuring longevity. The flush recessed and treadable non-slip silicone lens top delivers uniformly diffused, glare-free illumination with a 115° beam angle. Achieve seamless, continuous run lengths. Perfect for projects requiring recessed, robust, lines of linear lighting.

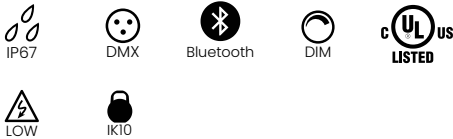
CLIENT	
PROJECT NAME	
LOCATION	
DATE	

- Walk-Over Load Rated
- 24VDC
- Custom Run Lengths
- 6063 Aluminum Alloy
- Pixel Chasing Available

Product Detail



Lighting	Lamp	LED, SMD 2835 (Static) LED, SMD 3015 (Dynamic White) LED, SMD 5050 (Color Changing)
	Average Life	50,000 Hours
	Beam Angle	115°
Electrical	Controls	0-10V, MLV, ELV, TRIAC, Phase Cut, DMX, Bluetooth
	Input Voltage	24VDC
	Max Input Current	4A
	Connections	Copper conductors, 18AWG(White) Copper conductors, 20AWG (RGB, RGBW)
Mechanical	Housing Construction	6063 Aluminum Channel Silicone Diffuser
	Weight Bearing	S1 -335lbf Load Rated (Walk-Over)
	Channel Length	0.65FT (0.2m), 1.64FT (0.5m) and 3.28FT (1m) Sections Available
Accessories	LNR3069 BC 68 10	IP68 LED Strip Termination Cable
	LNR3069 CHS 316S 02	0.65FT (0.2m) 6063 Aluminum Channel
	LNR3069 CHS 316S 05	1.64FT (0.5m) 6063 Aluminum Channel
	LNR3069 CHS 316S 10	3.28FT (1m) 6063 Aluminum Channel
	LNR3069 CHS EC	6063 Aluminum End Cap
	LNR3069 CHS ECH	6063 Aluminum End Cap (Cable hole)
	LNR3069 CHS SD	Silicone Diffuser
	LNR3069 CHS JB	Channel Joiner Bracket
	LNR3069 NVS QC	IP68 Cable Quick Connectors
Environmental	Ingress Protection	IP67
	Impact Protection	IK10
	Certifications	UL, CE
	Operating Temperature	-40°F to 131°F (-40°C to 55°C)

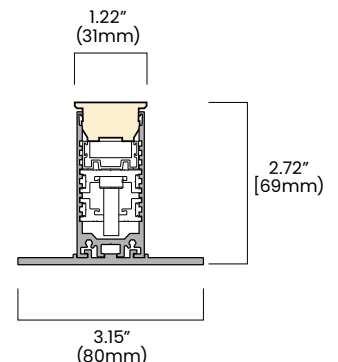


Performance

Static Colors/Color Changing

CCT/Color		2100K	3000K	4000K	5000K	Red	Green	Blue	RGB	RGBW(2700K)	RGBW(3000K)	RGBW(3500K)
Power	W/FT	2.75				2.44	3.66			4.57		
Lumens	lm/FT	79	104		37	123	18	75	119			
Efficacy	lm/W	29	38		15	34	5	21	36			
CRI	CRI	80+				-			80+			
LED's Qty	Qty/FT	26										
Increment	inch(mm)	0.66 (16.7)				3.28 (83.3)						

Dimensions



BL LIGHTING ILLUMINATE EVERYTHING

111 - 8838 Heather St. Vancouver, BC, Canada. V6P 3S8
P: 1-804-874-4405 E: info@bllighting.com
Copyright © BL INNOVATIVE LIGHTING. All Rights Reserved.

Solid State Lighting is sensitive to power fluctuations. Surge protection is highly recommended for all LED lighting products and should be on a dedicated circuit to protect against premature failure. Lack of surge protection may void your warranty.

Designed & Assembled in North America.

Specifications subject to change without notice. Please refer to our website at bllighting.com for current technical data.

For more information, please download the BL LIGHTING catalog

bllighting.com



Performance

Dynamic White

CCT/Color		2100K - 5500K
Power	W/FT	3.66
Lumens	lm/FT	52 (2200K) - 62 (6500K)
Efficacy	lm/W	14 (2200K) - 17 (6500K)
CRI	CRI	80+
LED's Qty	Qty/FT	26
Increment	inch(mm)	3.28 (83.3)

Pixel Chasing

CCT/Color		2100K	3000K	4000K	5000K	2100K - 5500K	RGB	RGBW(2700K)	RGBW(3500K)	
Power	W/FT	3.66					3.66	4.57		
Lumens	lm/FT	98	122		63 (2100K) - 67 (5500K)		75	119		
Efficacy	lm/W	46	33		17 (2100K) - 18 (5500K)		23	33		
CRI	CRI	80+					-	80+		
LED's Qty	Qty/FT	18			36		18			
Increment	inch(mm)	3.93 (100)						6.56 (166.7)		

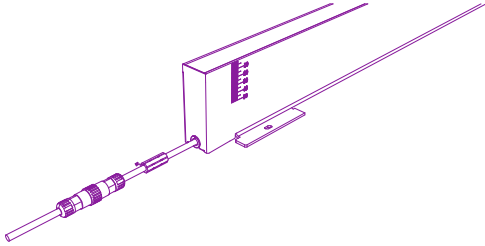
Ordering

Product Code	Series	Weight Bearing	Effect	CCT/Color	Channel Length	Input Voltage	IP Rating
LNR3069	G	S1 (Walk-Over)	ST (Static) PX (Pixel)	2100K 3000K 4000K 5000K DW (2100K-5500K) Red Green Blue RGB RGBW(2700K) RGBW(3000K) RGBW(3500K)	0.65FT (0.2m) 1.64FT (0.5m) 3.28FT (1m)	24	IP67



Lead Orientations

End Lead



**The Wick Resistant Wire Ferrule is built into the lead wire, 4.5" (115mm) from the fixture termination connection, for additional moisture ingress protection. Removal of the Wick Resistant Wire Ferrule may void your warranty.*

