

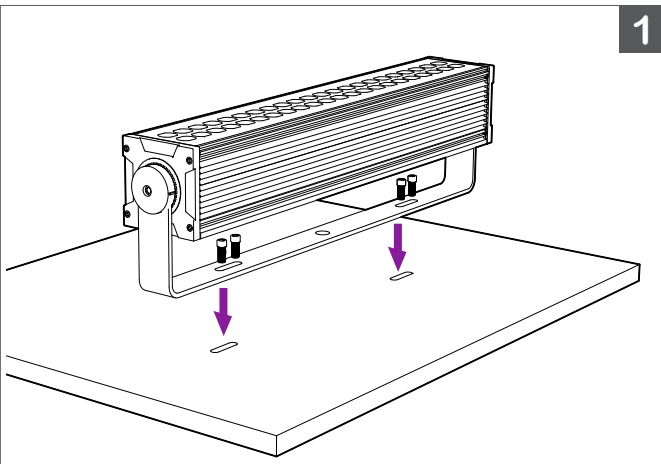


Please note that these instructions are guidelines only and in no way supersede any construction or installation standards. Local building and electrical codes should be consulted before installation.

### ATTENTION

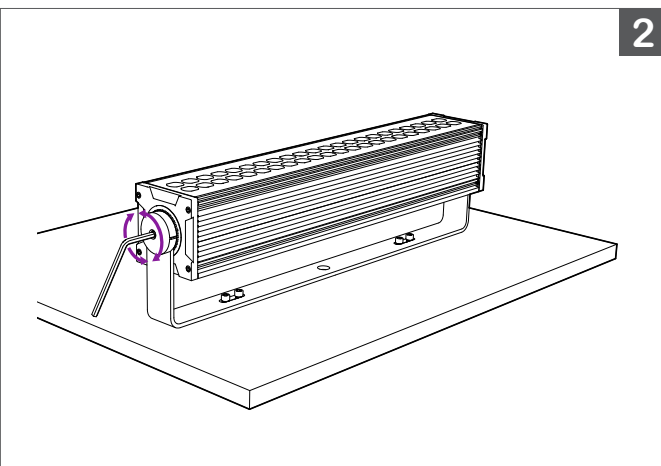
- There is potential danger of electrical shock when operating electrical components.
- Make sure power is turned off before installation.
- Allow for heat dissipation and adequate ventilation.

## SURFACE MOUNT Adjustable Bracket



1.

- A. Position **LN9695** at desired location of install.  
B. Fasten mounting bracket with bolts through mounting holes.

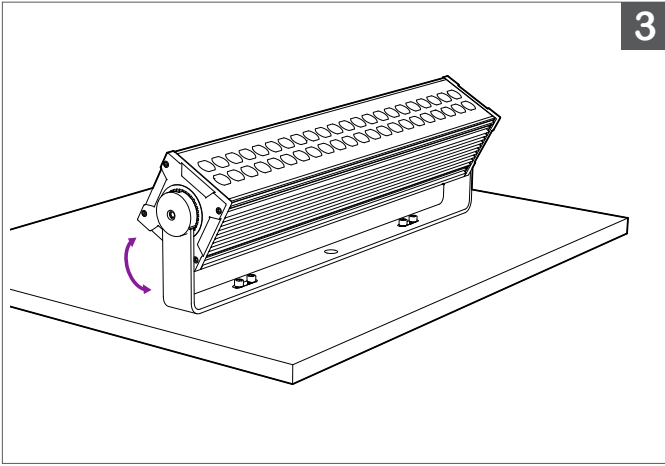


2.

- Loosen hex bolts with hex key to adjust angle of the fixture.



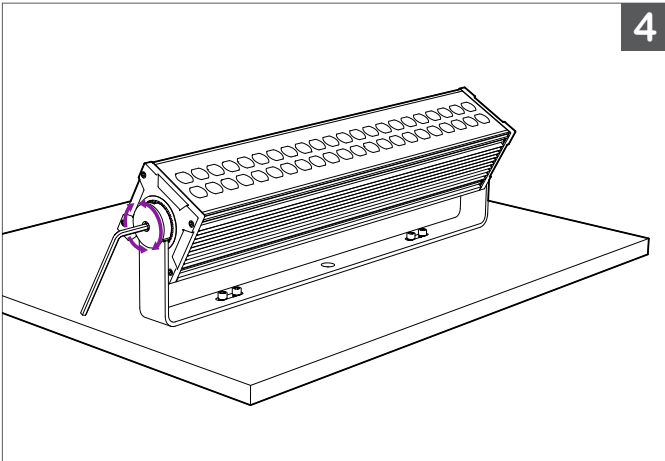
3



3.

Tilt **LN9695** at desired angle.

4



4.

Re-Tighten with hex key.

